

INSTALLATION INSTRUCTIONS

SERIES 487 CENTER GLAZED SLIDING DOOR WITH 1-1/2" TRIM



Phone: (800) 421-6144 • Fax: (866) 921-0531
crlaurence.com • usalum.com • crl-arch.com

GENERAL INSTALLATION NOTES

Recommended Guidelines For All Installations:

1. **REVIEW CONTRACT DOCUMENTS.** Check shop drawings, installation instructions, architectural drawings, and shipping lists to become thoroughly familiar with the project. The shop drawings take precedence and include specific details for the project. Note any *field verified* notes on the shop drawings prior to installing. The installation instructions are of a general nature and cover most conditions.
2. **INSTALLATION.** All materials are to be installed plumb, level, and true. Install operable windows preglazed only.
3. **BENCH MARKS.** All work should start from bench marks and/or column lines as established by the architectural drawings and the general contractor with guaranteed accuracy. Working from these datum points and lines determine:
 - a) The plane of the wall in reference to offset lines provided on each floor.
 - b) The finish floor lines in reference to bench marks on the outer building columns.
 - c) Mullion spacing from both ends of masonry opening to prevent dimensional build-up of daylight opening.
4. **FIELD WELDING.** All field welding must be adequately shielded to avoid any splatter on glass or aluminum. Results will be unsightly and/or structurally unsound. Advise general contractor and other trades accordingly. All field welds of steel anchors must receive touch-up paint (zinc chromate) to avoid rust.
5. **SURROUNDING CONDITIONS.** Make certain that construction which will receive your materials is in accordance with the contract documents. If not, notify the general contractor in writing and resolve differences before proceeding with work.
6. **ISOLATION OF ALUMINUM.** Aluminum to be placed in direct contact with uncured masonry or incompatible materials should be isolated with a heavy coat of zinc chromate or bituminous paint.
7. **SEALANTS.** Sealants must be compatible with all materials with which they have contact, including other sealant surfaces. Consult with sealant manufacturer for recommendations relative to joint size, shelf life, compatibility, cleaning, priming, tooling, adhesion, etc. It is the responsibility of the **Glazing Contractor** to submit a statement from the sealant manufacturer indicating that glass and glazing materials have been tested for compatibility and adhesion with glazing sealants, and interpreting test results relative to material performance, including recommendations for primers and substrate preparation required to obtain adhesion. The chemical compatibility of all glazing materials and framing sealants with each other and with like materials used in glass fabrication must be established. This is required on every project.
8. **FASTENING.** Within the body of these instructions "fastening" means any method of securing one part to another or to adjacent materials. Only those fasteners used within the system are specified in these instructions. Due to the varying perimeter conditions and performance requirements, perimeter and anchor fasteners are not specified in these instructions. For perimeter and anchor fasteners refer to the shop drawings or consult the fastener supplier.
9. **BUILDING CODES.** Due to the diversity in state/provincial local, and federal laws and codes that govern the design and application of architectural products, it is the responsibility of the individual architect, owner, and installer to assure that products selected for use on projects comply with all the applicable building codes and laws. U.S. Aluminum exercises no control over the use or application of its products, glazing materials, and operating hardware and assumes no responsibility thereof.
10. **EXPANSION JOINTS.** Expansion joints and perimeter seals shown in these instructions and in the shop drawings are shown at normal size. Actual dimensions may vary due to perimeter conditions and/or difference in metal temperature between the time of fabrication and the time of installation. Gaps between expansion members should be based on temperature at time of installation.
11. **COORDINATION WITH OTHER TRADES.** Coordinate with the general contractor any sequence with other trades which offset curtain wall installation (i.e. fire proofing, back-up walls, partitions, ceilings, mechanical ducts, converters, etc.)
12. **CARE AND MAINTENANCE.** Final cleaning of exposed aluminum surfaces should be done in accordance with AAMA 609.1 for anodized aluminum and 610.1 for painted aluminum.

HANDLING, STORAGE, AND PROTECTION OF ALUMINUM

The following precautions are recommended to protect the material against damage. Following these precautions will help ensure early acceptance of your products and workmanship.

A. HANDLE CAREFULLY.

All aluminum materials at job site must be stored in a safe place, well removed from possible damage by other trades. Cardboard wrapped or paper interleaved materials must be kept dry.

B. CHECK ARRIVING MATERIALS.

Check for quantities and keep records of where various materials are stored.

C. KEEP MATERIALS AWAY FROM WATER, MUD, AND SPRAY.

Prevent cement, plaster or other materials from damaging the finish.

D. PROTECT THE MATERIALS AFTER ERECTION.

Protect erected frame with polyethylene or canvas splatter screen. Cement, plaster, terrazzo, other alkaline solutions, and acid based materials used to clean masonry are harmful to the finish. ***If any of these materials come in contact with the aluminum, immediately remove with water and mild soap.***

IMPORTANT: READ THIS MANUAL THOROUGHLY BEFORE BEGINNING INSTALLATION

SYSTEM REQUIREMENTS

Maximum wall thickness: 4-7/8" (124 mm).

Maximum weight per sliding door: 100 lbs (45 kg) each.

Maximum unsupported total load on each sill: 50 lbs (23 kg) each.

Note: Additional shim support under the sill member is required for any loads over 50 lbs (23 kg).

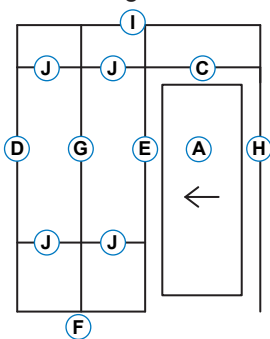
Interior use only.

EXTRUSION IDENTIFICATION

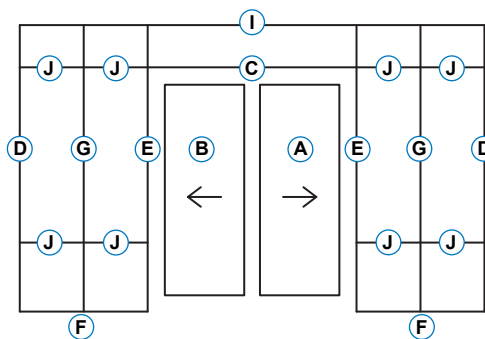
Your order has been carefully fabricated, inspected, and packaged to work order specifications. We have placed an Indicator Label on the inside or back side of each part before final packaging. Use the Identification Key (below) to organize and lay out each Series 487 Office Partition System before proceeding with the assembly process.

NOTE: This manual covers the configurations shown below. If your installation calls for more fixed lites, refer to manual #11M0156 for the standard 487 Center Glazed installation to install the additional lites.

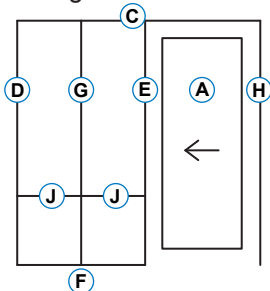
Transom Single Slider Door



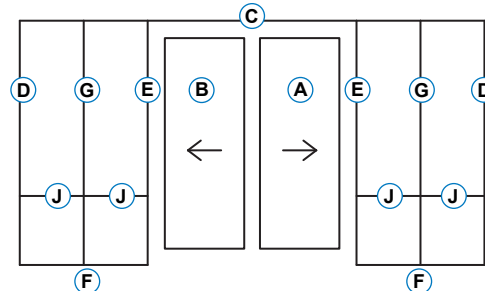
Transom Double Slider Door



Single Slider Door



Double Slider Door



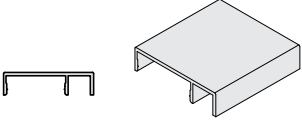
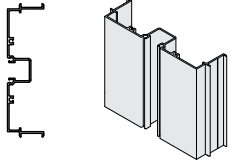
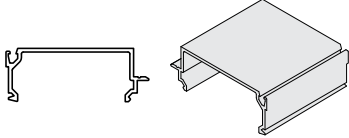
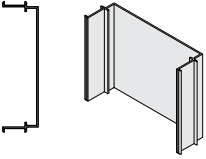
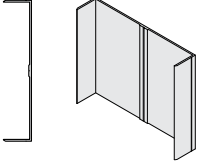
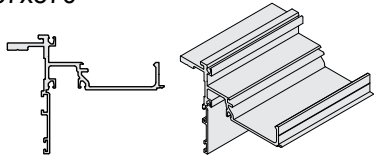
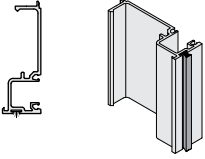
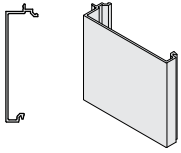
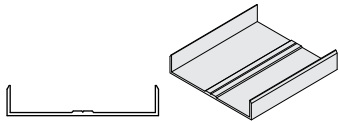
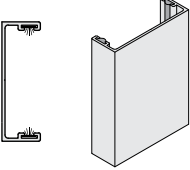
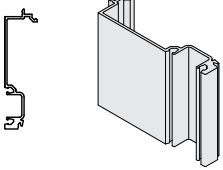
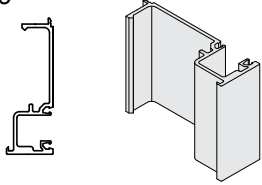
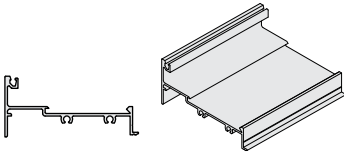
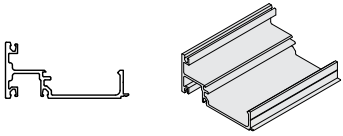
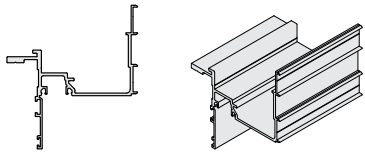
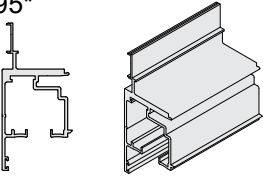
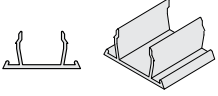
- (A)** Active Door
- (B)** Inactive Door
- (C)** Header
- (D)** Sidelite Wall Jamb
- (E)** Wall / Hinge Jamb
- (F)** Sill
- (G)** Intermediate Vertical
- (H)** Sidelite Vertical / Strike Jamb
- (I)** Transom Header
- (J)** Intermediate Horizontal

TABLE OF CONTENTS

SYSTEM REQUIREMENTS	3
EXTRUSION IDENTIFICATION	3
PARTS IDENTIFICATION	5 - 6
DRYWALL PREPARATION	7
DRYWALL INSTALLATION	8 - 9
Wall Wrap Installation	8
Surface Mount Installation	8
Transom Installation	9
INSTALLATION NOTES	9
SLIDING DOOR WITH SIDELITE AND FIXED LITE / SLIDING DOOR WITH SIDELITE	
WALL WRAP INSTALLATION	10 - 20
Install Floor Tracks	11
Attach Sill to Wall Jamb	11
Install Wall Jamb	12
Level and Secure Sill	12
Install Door Jamb	13
Install Main Header	13
Install Fixed Lite Verticals	14
Install Sidelite Vertical and Door Jamb	15
Square Frame and Secure	16
Install Horizontals (Optional)	16
Install Door Strike and Guide	17
Prepare Door	18
Install Top Track with Door	18
Glass Sizing and Glazing Components	19
Door Glazing Sequence	19
Sidelite Glazing Sequence	20
Install Pocket Filler and Trim	20
SURFACE MOUNT ASSEMBLY AND INSTALLATION	21 - 27
SURFACE MOUNT ASSEMBLY	22 - 23
Attach Jambs to Main Header	22
Install Verticals	22
Install Sills	23
Finish Verticals	23
SURFACE MOUNT INSTALLATION	24 - 27
Install Floor Tracks	24
Install Header Cover	24
Install Frame and Secure	24
Install Door Strike and Guide	25
Prepare Door	26
Install Top Track with Door	26
Install Pocket Filler and Trim	27
SLIDING DOOR WITH TRANSOM INSTALLATION	28 - 32
Install Transom Jamb	29
Install Transom Head	29
Install Main Header	29
Install Transom Vertical	30
Install Clips	30
Square Frame and Secure	31
Install Top Track with Door	31
Transom Glazing Sequence	32
Install Pocket Filler and Trim	32
DOUBLE DOOR WITH SIDELITES INSTALLATION	33
FINAL ADJUSTMENTS	34
Adjust Latch Bolt	34
Adjust Astragal for Double Doors	34

PARTS IDENTIFICATION

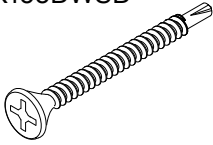
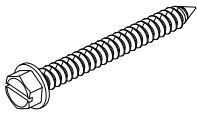
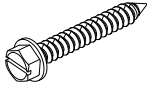

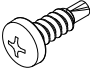
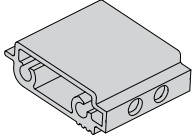
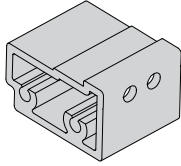
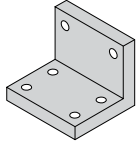
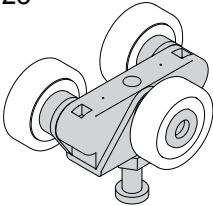
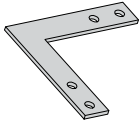


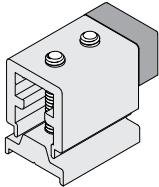
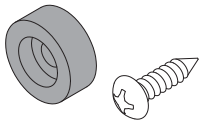
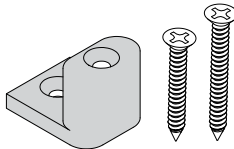
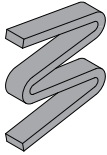
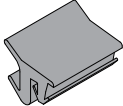
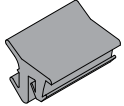
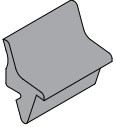
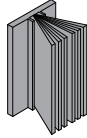
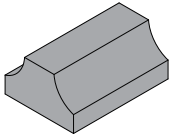
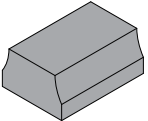
NOTE: Read these instructions carefully to identify the parts needed for your particular installation.

PART NUMBER		
<p>487x015</p>  <p>1-1/2" Trim Strip</p>	<p>487x501</p>  <p>Deep Pocket Jamb</p>	<p>487x504</p>  <p>Glazing Stop</p>
<p>487x509</p>  <p>Cased Jamb</p>	<p>487x552*</p>  <p>Ceiling Track (Use with Surface Mount Jamb)</p>	<p>487x570*</p>  <p>Interior Main Header (Surface Mount)</p>
<p>487x572*</p>  <p>Intermediate Vertical Deep Pocket Mullion (Snaps with 487x573)</p>	<p>487x573*</p>  <p>Intermediate Vertical Mullion (Snaps with 487x572)</p>	<p>487x575*</p>  <p>Floor Track</p>
<p>487x576*</p>  <p>Door Receiver</p>	<p>487x577*</p>  <p>Intermediate Vertical Shallow Pocket Insert (Snaps with 487x579)</p>	<p>487x579*</p>  <p>Intermediate Vertical Deep Pocket Mullion (Snaps with 487x577)</p>
<p>487x580*</p>  <p>Sill</p>	<p>487x581*</p>  <p>Intermediate Horizontal Mullion</p>	<p>487x594*</p>  <p>Interior Main Header (Wall Wrap)</p>
<p>487x595*</p>  <p>Sliding Door Header (Wall Wrap)</p>	<p>P050</p>  <p>1/4" Pocket Insert</p>	

* Available through Technical Sales at (323) 588-1281 Ext. 5305

PARTS IDENTIFICATION (CONTINUED)

NOTE: Read these instructions carefully to identify the parts needed for your particular installation.

PART NUMBER			
<p>6X158DWS</p>  <p>#6 X 1-5/8" FHFS SDS</p>	<p>ST286</p>  <p>#12 X 2" HWH SMS</p>	<p>ST266</p>  <p>#12 X 1" HWH SMS</p>	<p>ST206</p>  <p>#8 X 1/2" PH SMS for Shear Block</p>
<p>20061601</p>  <p>#6-20 X 1/2" PHP SDS</p>	<p>487SBF*</p>  <p>Small Shear Block</p>	<p>487SBTT*</p>  <p>Large Shear Block</p>	<p>487STCRL*</p>  <p>L-Clip (Additional part for Transom)</p>
<p>1125*</p>  <p>Wheel</p>	<p>487C1</p>  <p>Corner Clip (Additional part for Transom)</p>	<p>487C4</p>  <p>Wide Offset Clip (Additional part for Transom)</p>	<p>487STRC6*</p>  <p>6 Inch Clip (Additional part for Transom)</p>
<p>487TTS22</p>  <p>Door Stop</p>	<p>58X14RB</p>  <p>Rubber Bumper</p>	<p>487SBG*</p>  <p>Door Guide</p>	<p>WB452</p>  <p>Edge Block</p>
<p>NP225</p>  <p>For 1/4" Sidelite and Door Glass</p>	<p>NP238</p>  <p>For 3/8" Sidelite and Door Glass</p>	<p>NP563</p>  <p>For 9/16" Sidelite and Door Glass</p>	<p>22027045BK*</p>  <p>Felt for Mullions</p>
<p>SB513</p>  <p>For 1/4", 3/8" Sidelite Glass and all Door Glass</p>	<p>SB514</p>  <p>For 1/2", 9/16" Sidelite Glass</p>		

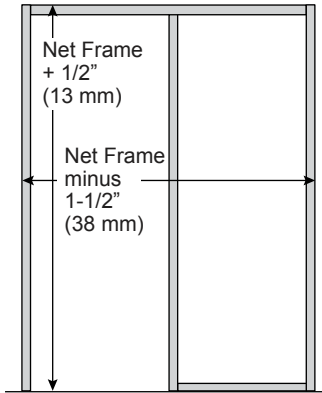
* Available through Technical Sales at (323) 588-1281 Ext. 5305

DRYWALL PREPARATION

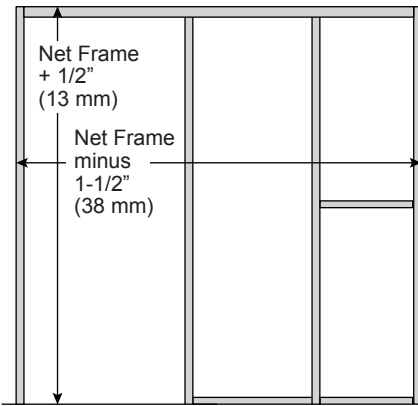
When framing, position all metal studs so that the open side faces the rough opening. Use two sets of studs, stacked and finished for head. The icons in the illustrations below show the correct orientation.

Refer to the CRL Shop Drawings for overall layout and to confirm dimensions. Contact Technical Sales for other situations at (800) 421-6144.

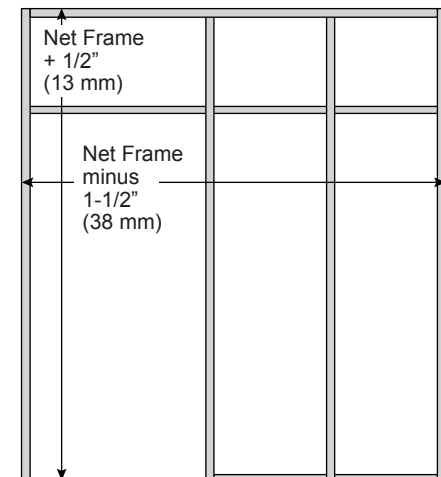
Rough Opening Calculation



Door with Sidelite

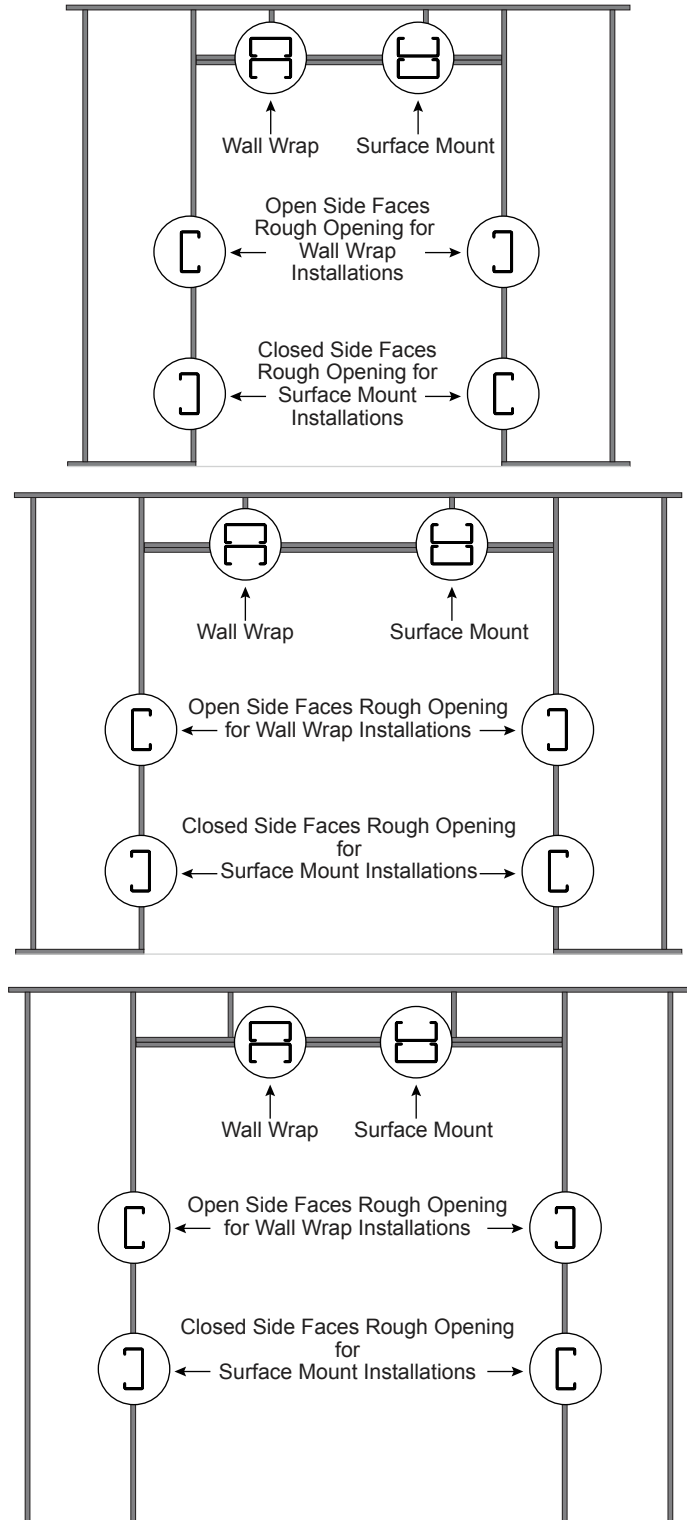


Door with Sidelite and Fixed Lite



Transom Door with Sidelite and Fixed Lite

Metal Stud Orientation

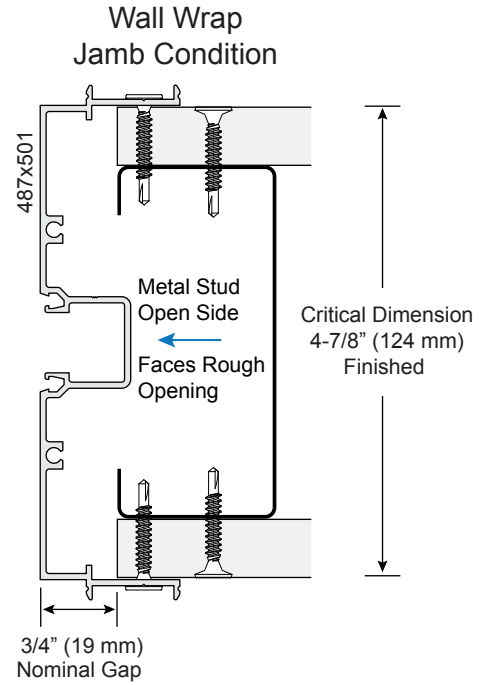
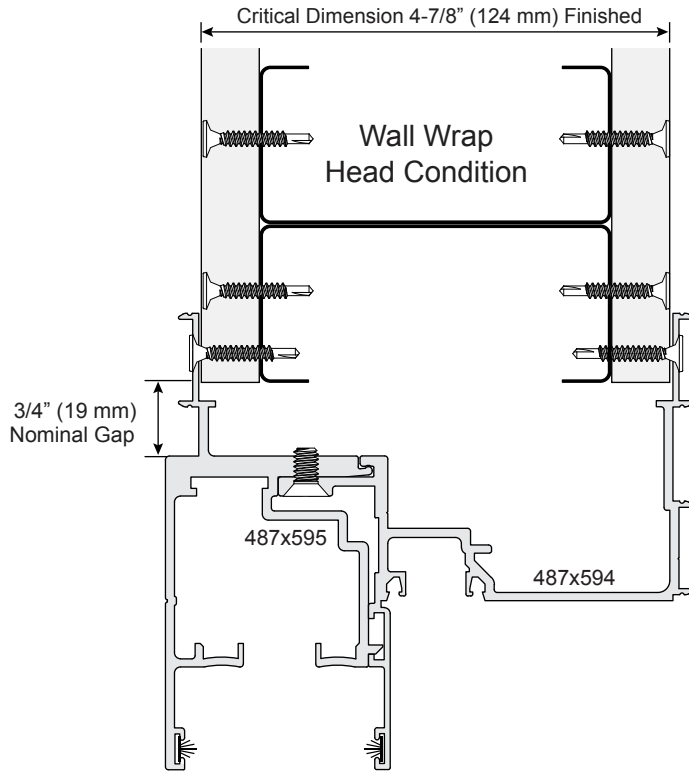


DRYWALL INSTALLATION

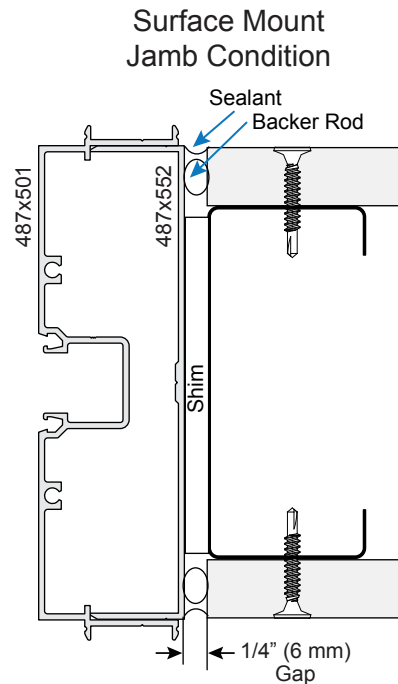
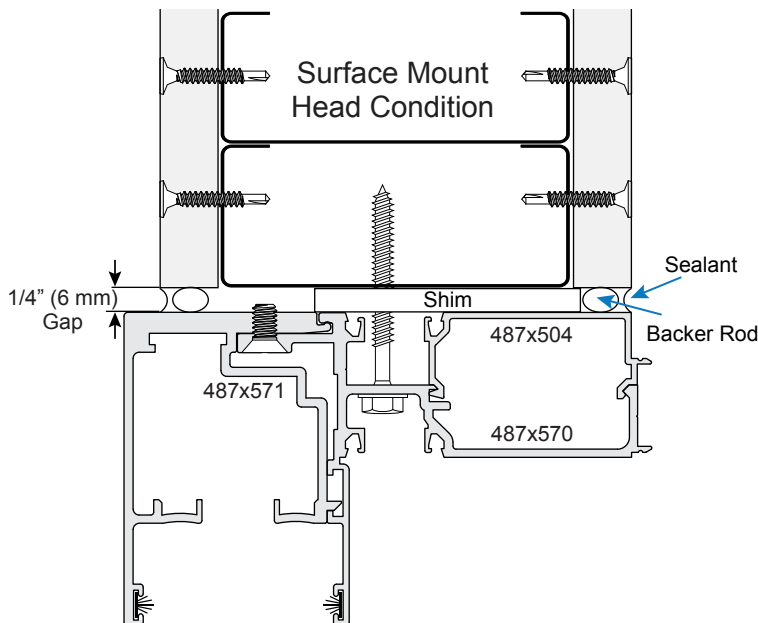
Ensure drywall thickness finishes at a standard 4-7/8" (124 mm). Cut the wallboard flush with the metal stud. Ensure the drywall is square and plumb. Note: The critical limitation for the finished wall is 4-7/8" (124 mm).

IMPORTANT: Provide adequate structural support for system.

Wall Wrap Installation

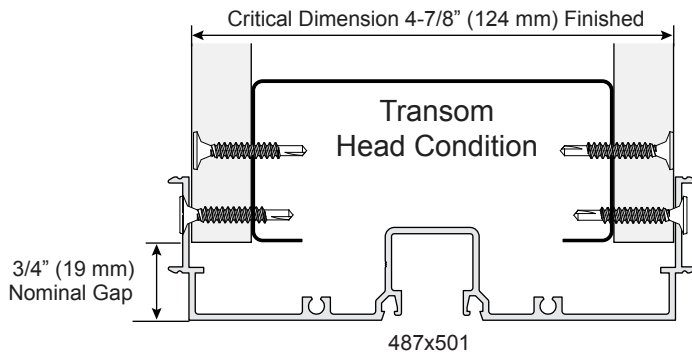


Surface Mount Installation



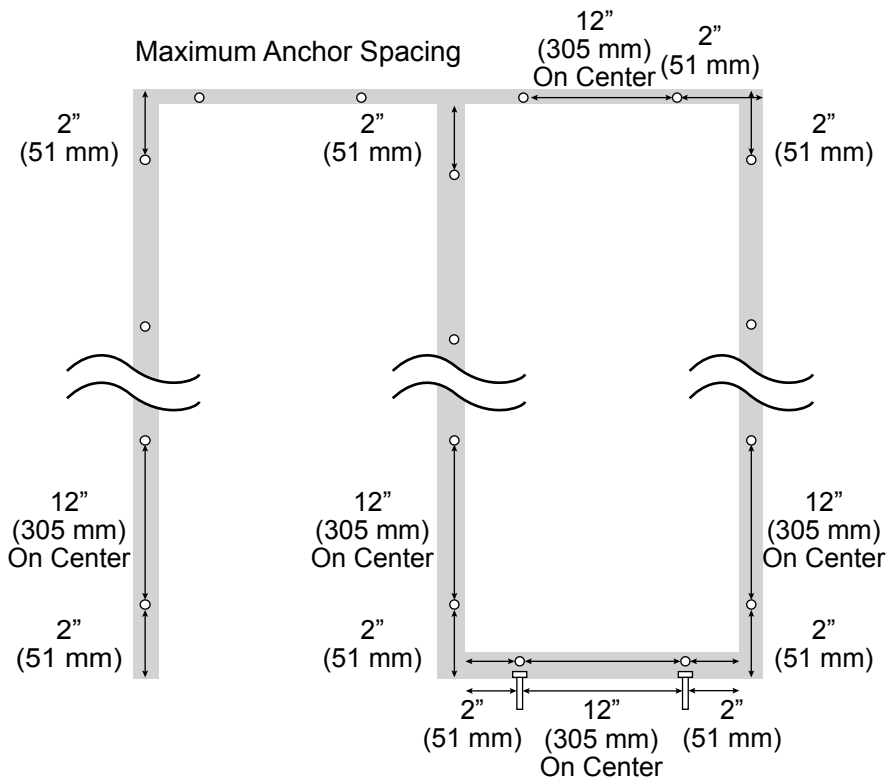
DRYWALL INSTALLATION (CONTINUED)

Transom Installation



INSTALLATION NOTES

The 487x504 glass stops should only be installed during the glazing process to avoid damage to the stops. The maximum unsupported load limit for each sill is 50 lbs (23 kg). Note: Additional shim support under the sill member is required for any loads over 50 lbs (23 kg).



50 lb. maximum load on sill without additional support.



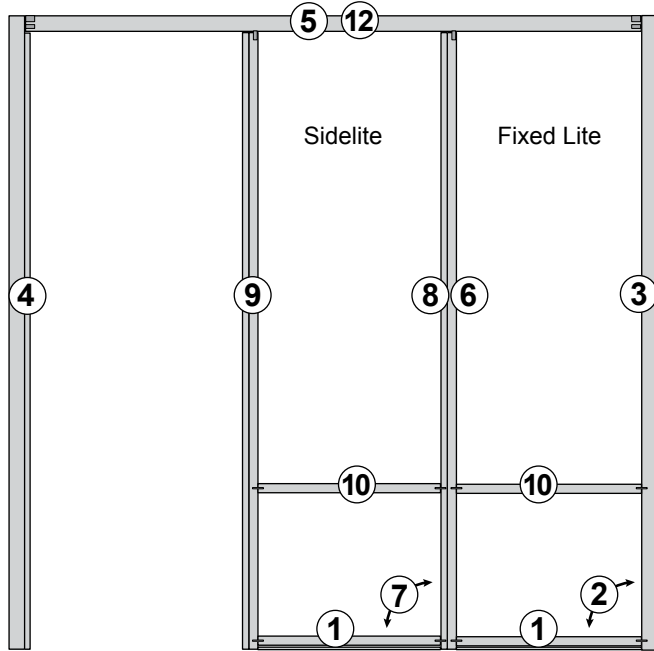
100 lb. maximum load per door.

SLIDING DOOR WITH SIDELITE AND FIXED LITE

WALL WRAP INSTALLATION

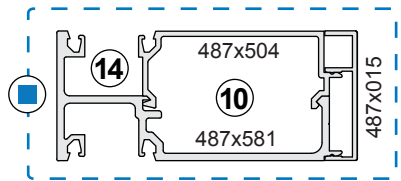
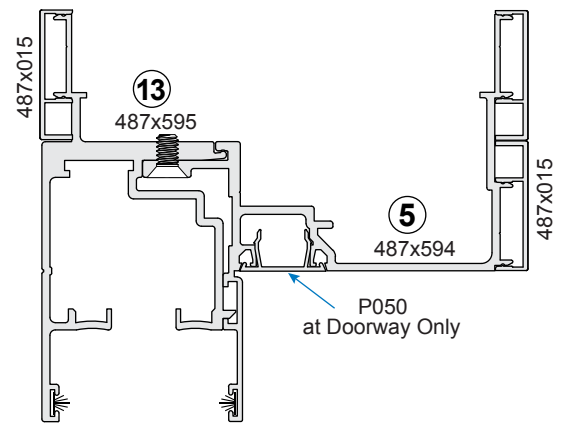
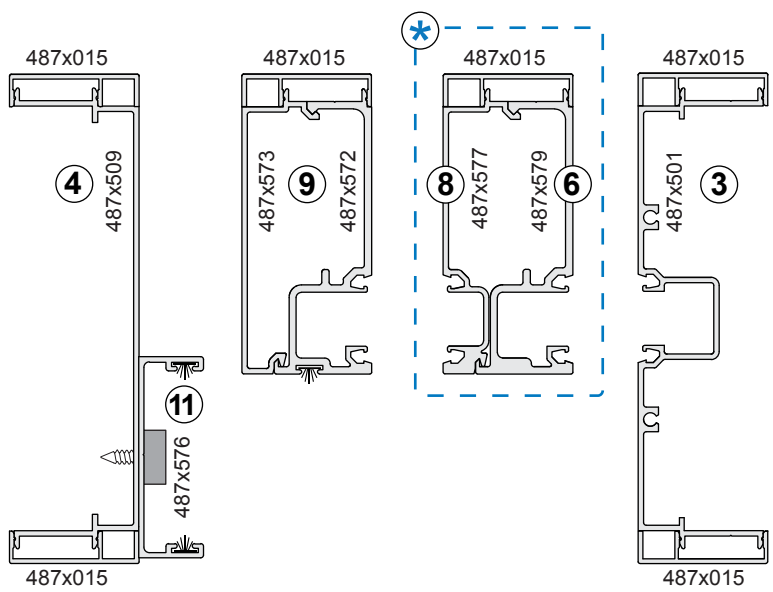
Sliding Door with Sidelite and Fixed Lite

NOTE: Sliding Door with Single Sidelite, skip Steps 2 and 6. Sidelites with Horizontals add Step 10.

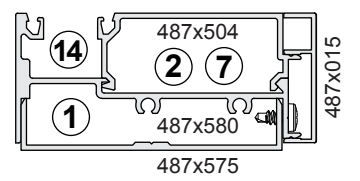


Wall Wrap Installation Order		
①	Floor Track	Page 11
②	Sill to Wall Jamb	Page 11
③	Wall Jamb	Page 12
④	Door Jamb at Wall	Page 13
⑤	Main Header	Page 13
⑥	Fixed Lite Vertical	Page 14
⑦	Sill to Sidelite Vertical	Page 14
⑧	Sidelite Vertical	Page 15
⑨	Door Jamb	Page 15
⑩	Horizontals (Optional)	Page 16
⑪	Door Strike and Guide	Page 17
⑫	Door Prep and Installation	Page 18
⑬	Top Track	Page 18
⑭	Sidelite Glazing	Page 19 - 20
⑮	Pocket Filler and Trim	Page 20

* NOTE: For Single Sidelite Installations, disregard these profiles.



■ NOTE: Add profiles for installations with Horizontal Mullions at Sidelites.

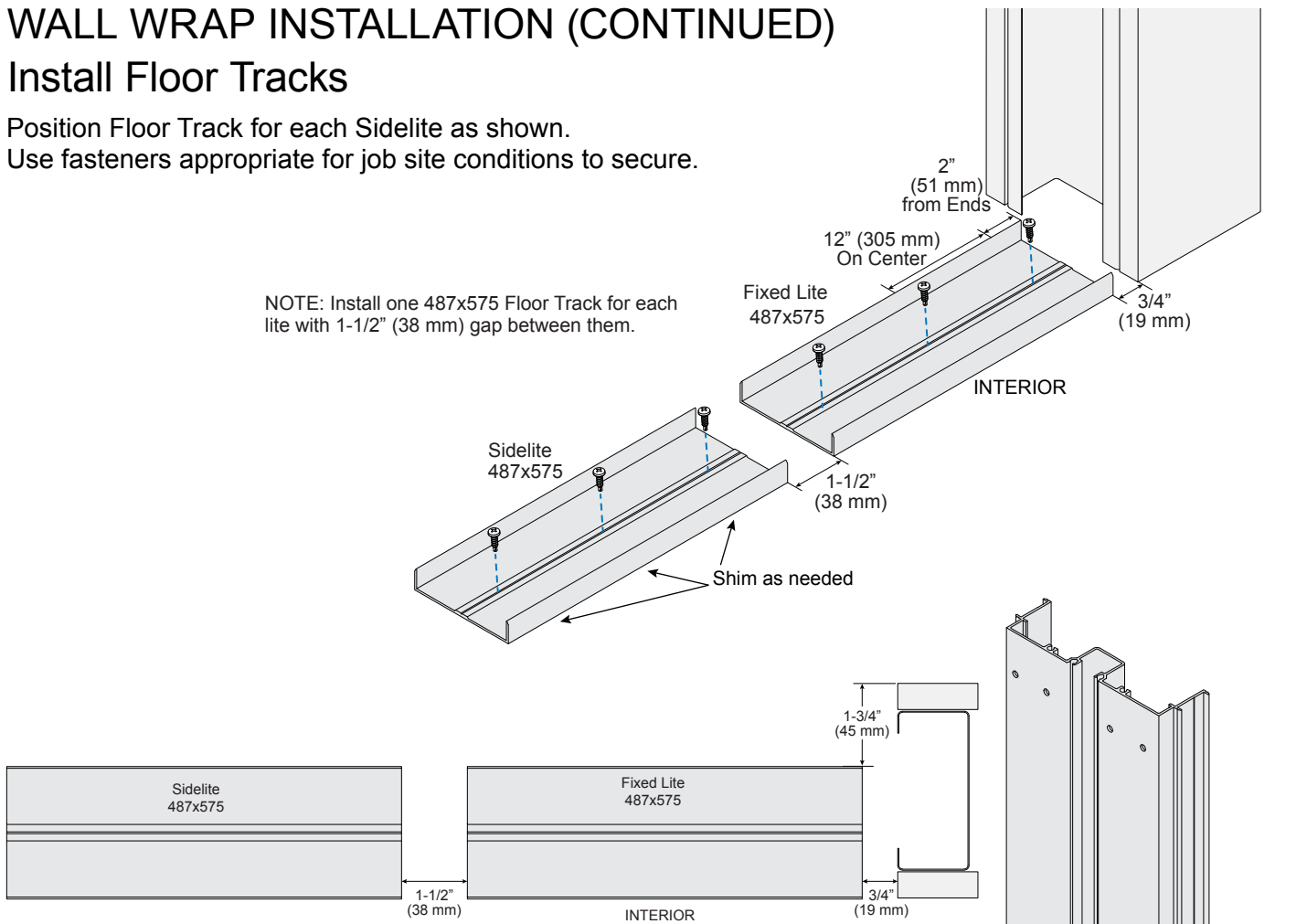


WALL WRAP INSTALLATION (CONTINUED)

Install Floor Tracks

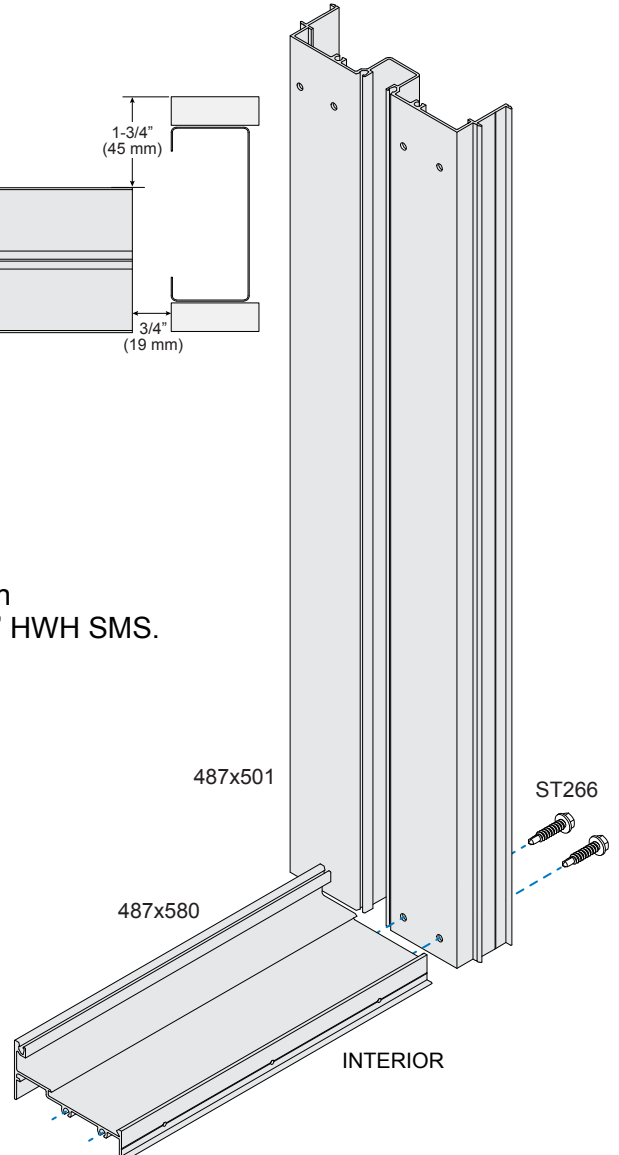
Position Floor Track for each Sidelite as shown.
Use fasteners appropriate for job site conditions to secure.

NOTE: Install one 487x575 Floor Track for each lite with 1-1/2" (38 mm) gap between them.



Attach Sill to Wall Jamb

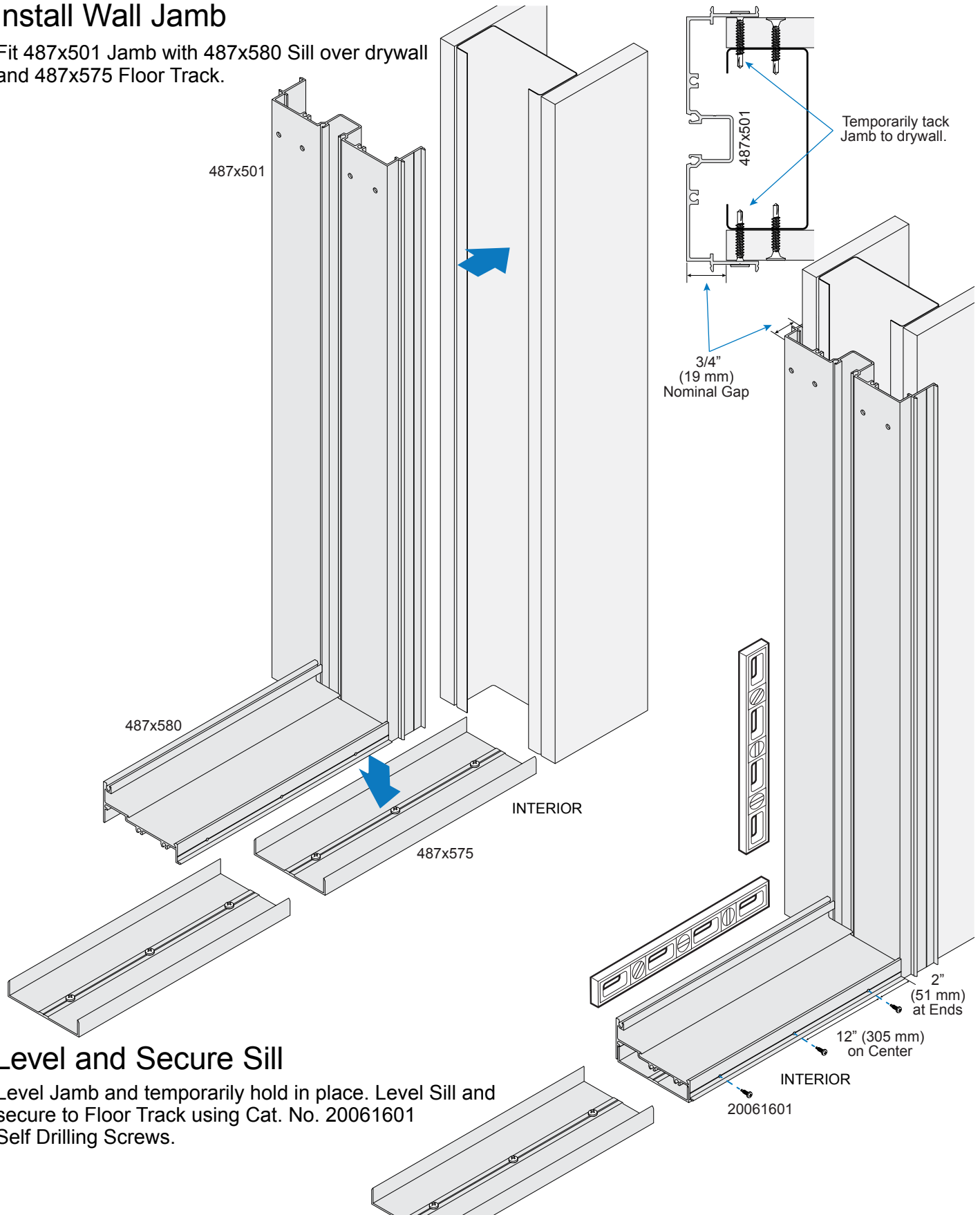
Align screw races in 487x580 Sill to factory drilled pilot holes in 487x501 Wall Jamb. Secure using two Cat. No. ST266 #12x1" HWH SMS.



WALL WRAP INSTALLATION (CONTINUED)

Install Wall Jamb

Fit 487x501 Jamb with 487x580 Sill over drywall and 487x575 Floor Track.



Level and Secure Sill

Level Jamb and temporarily hold in place. Level Sill and secure to Floor Track using Cat. No. 20061601 Self Drilling Screws.

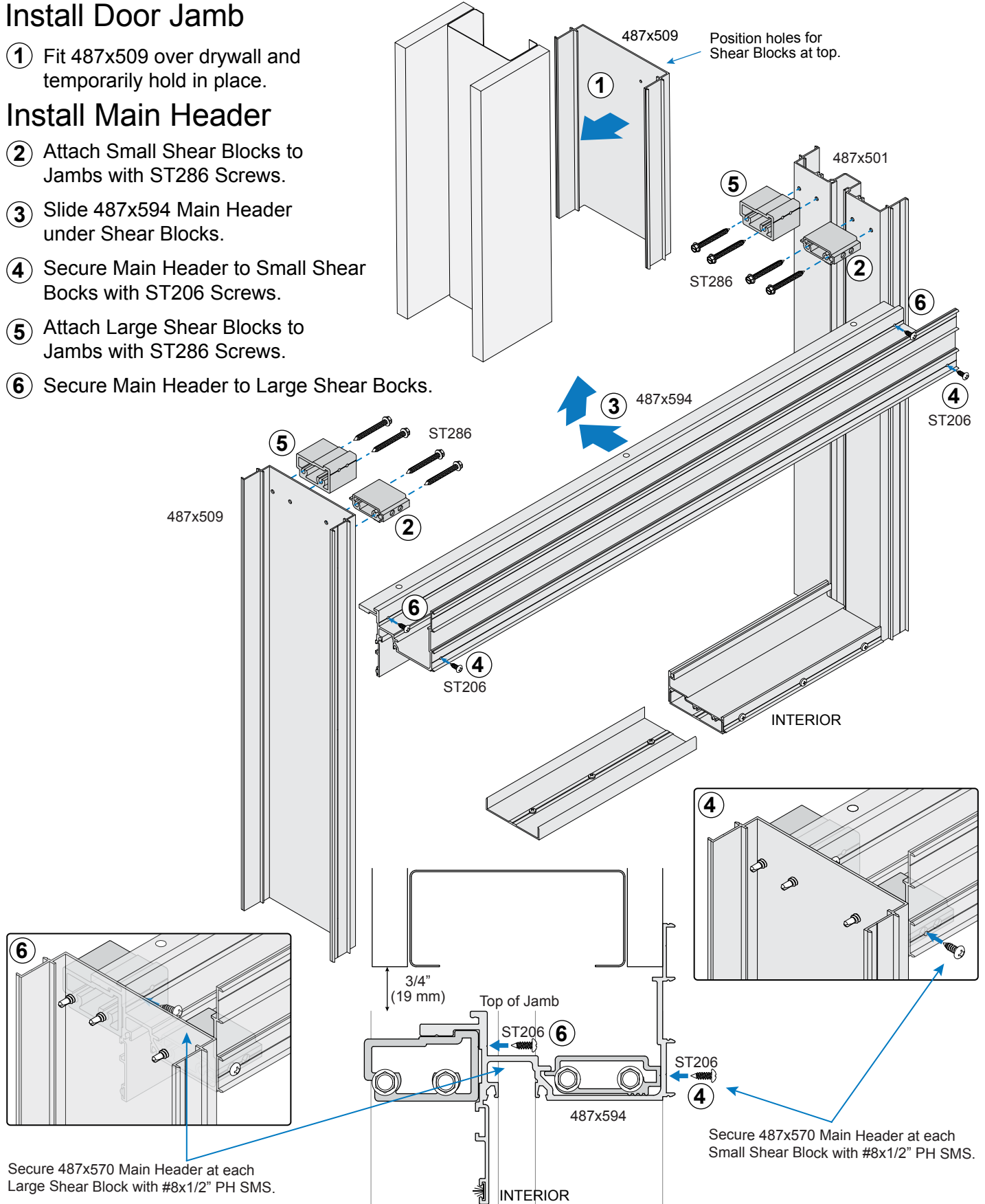
WALL WRAP INSTALLATION (CONTINUED)

Install Door Jamb

- ① Fit 487x509 over drywall and temporarily hold in place.

Install Main Header

- ② Attach Small Shear Blocks to Jambs with ST286 Screws.
- ③ Slide 487x594 Main Header under Shear Blocks.
- ④ Secure Main Header to Small Shear Bocks with ST206 Screws.
- ⑤ Attach Large Shear Blocks to Jambs with ST286 Screws.
- ⑥ Secure Main Header to Large Shear Bocks.

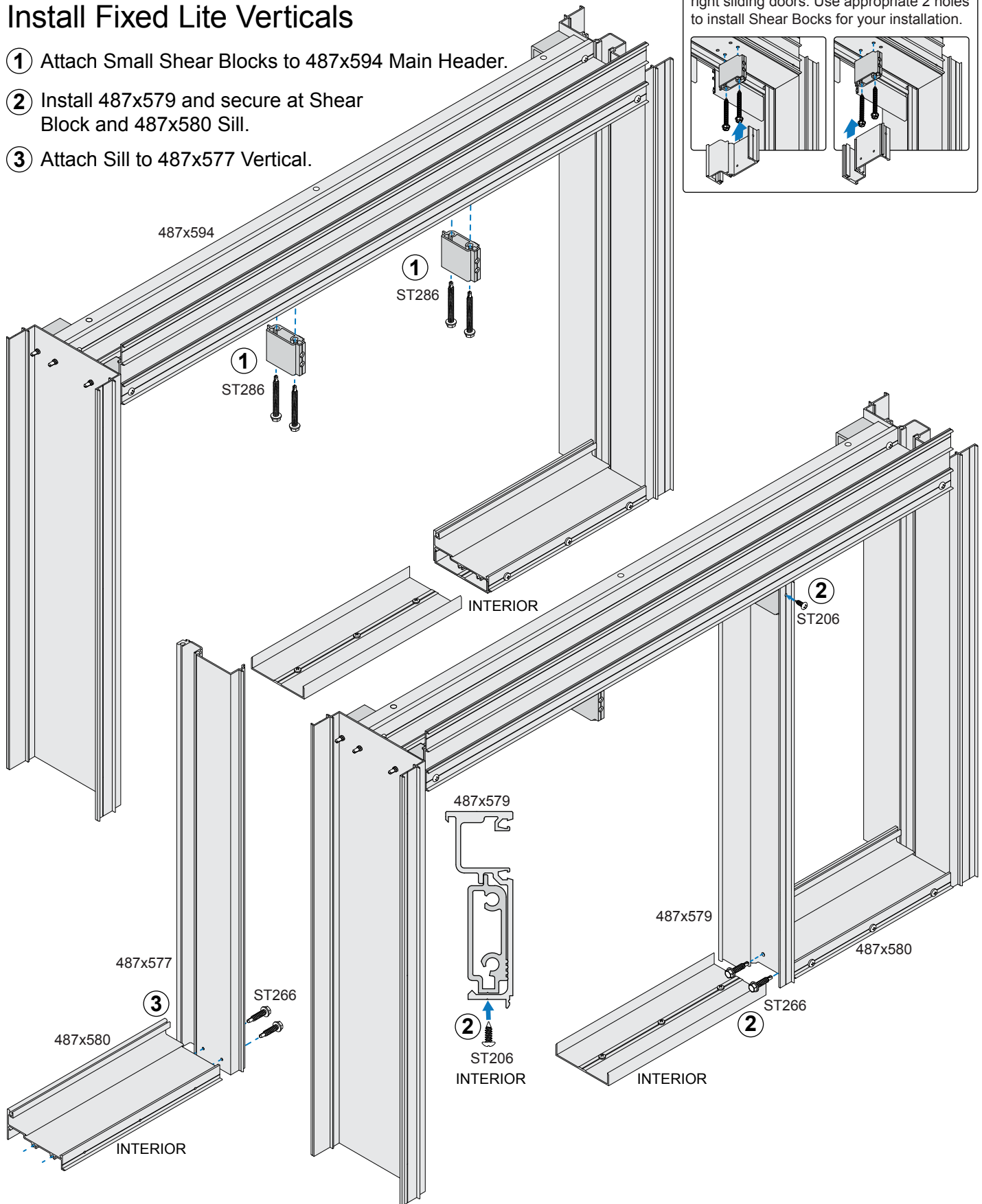
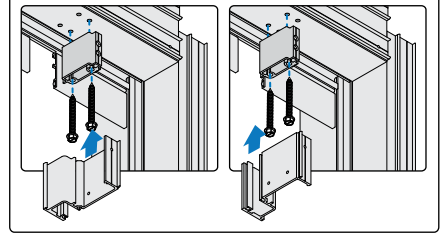


WALL WRAP INSTALLATION (CONTINUED)

Install Fixed Lite Verticals

- ① Attach Small Shear Blocks to 487x594 Main Header.
- ② Install 487x579 and secure at Shear Block and 487x580 Sill.
- ③ Attach Sill to 487x577 Vertical.

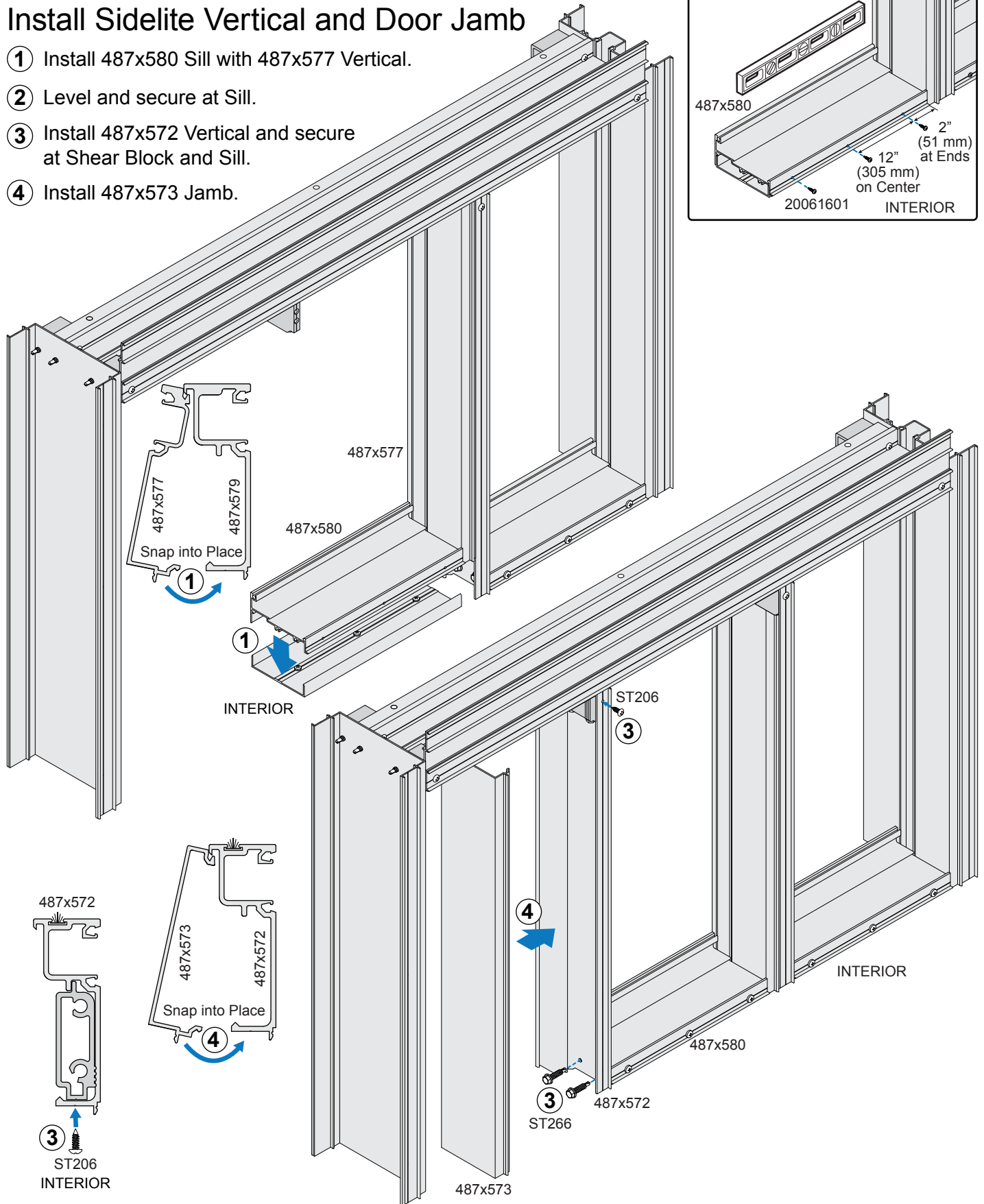
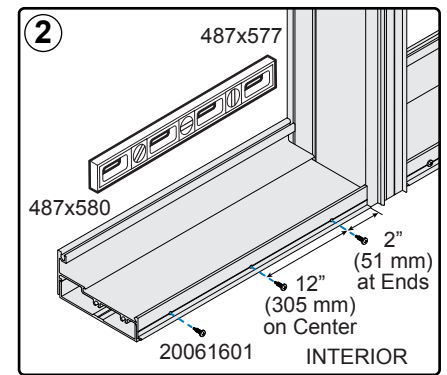
NOTE: Main Header fabricated for left and right sliding doors. Use appropriate 2 holes to install Shear Blocks for your installation.



WALL WRAP INSTALLATION (CONTINUED)

Install Sidelite Vertical and Door Jamb

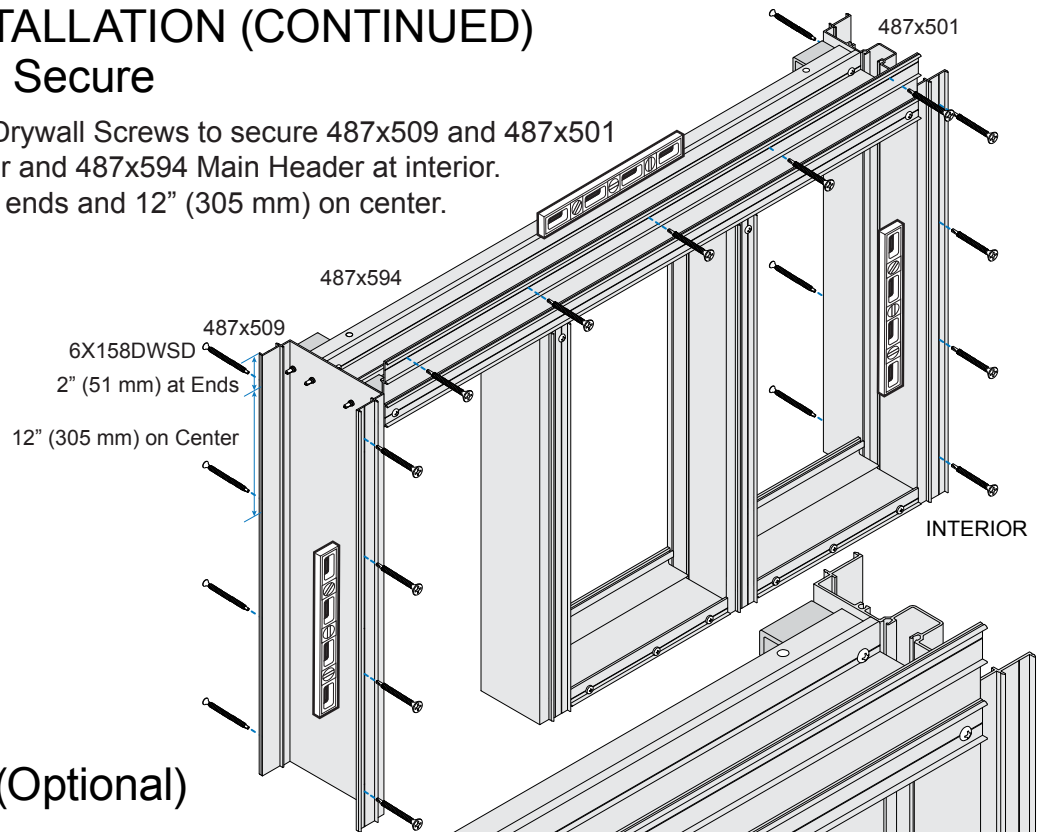
- 1 Install 487x580 Sill with 487x577 Vertical.
- 2 Level and secure at Sill.
- 3 Install 487x572 Vertical and secure at Shear Block and Sill.
- 4 Install 487x573 Jamb.



WALL WRAP INSTALLATION (CONTINUED)

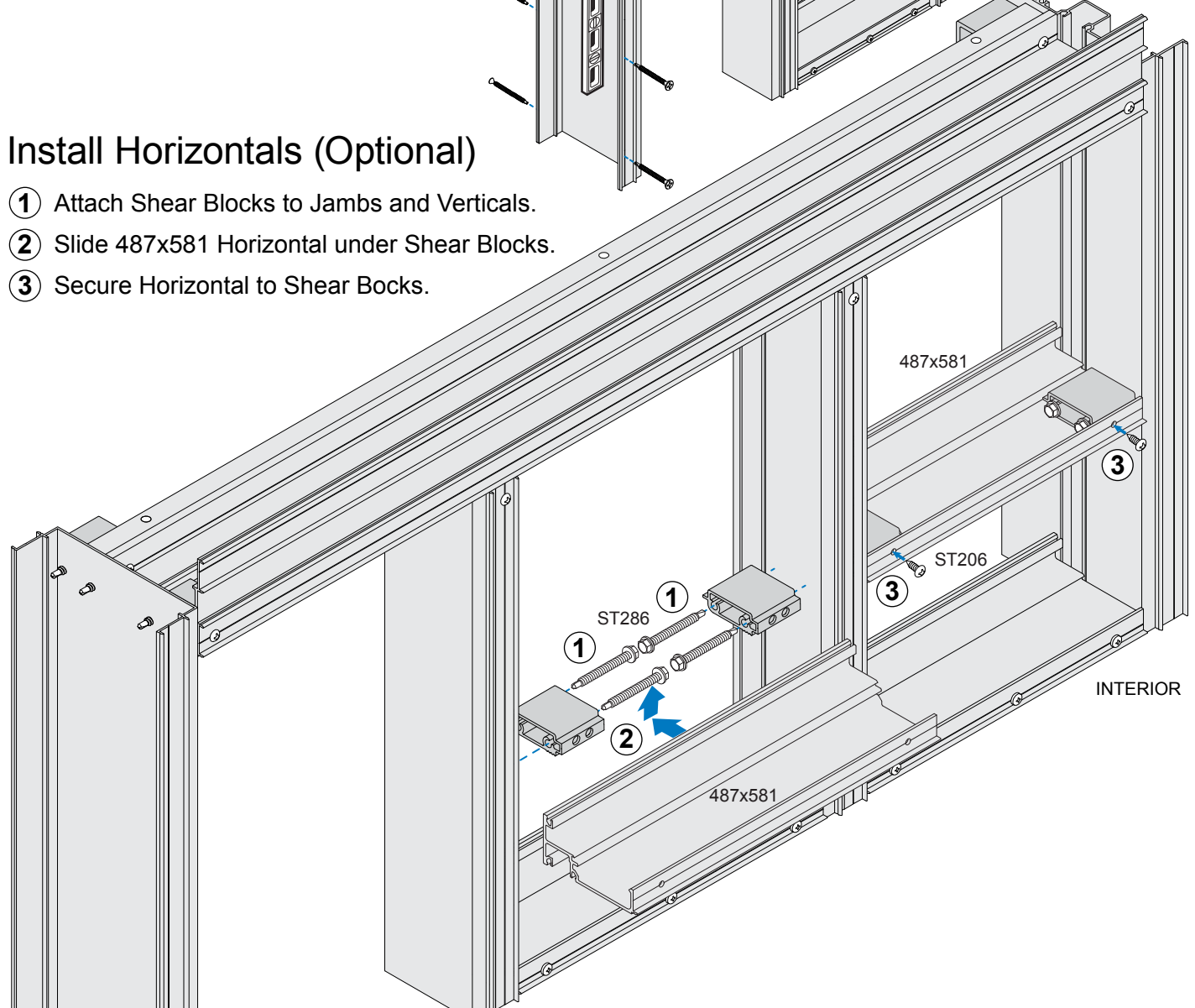
Square Frame and Secure

Use Cat. No. 6X158DWSD Drywall Screws to secure 487x509 and 487x501 Jambs at interior and exterior and 487x594 Main Header at interior. Space screws 2" (51 mm) at ends and 12" (305 mm) on center.



Install Horizontals (Optional)

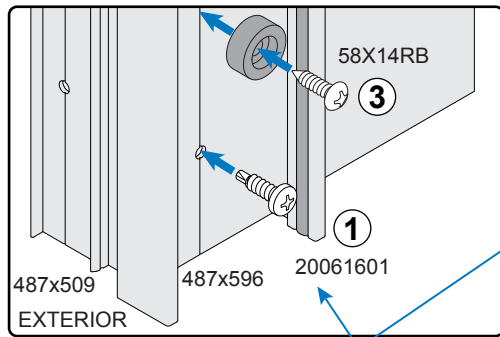
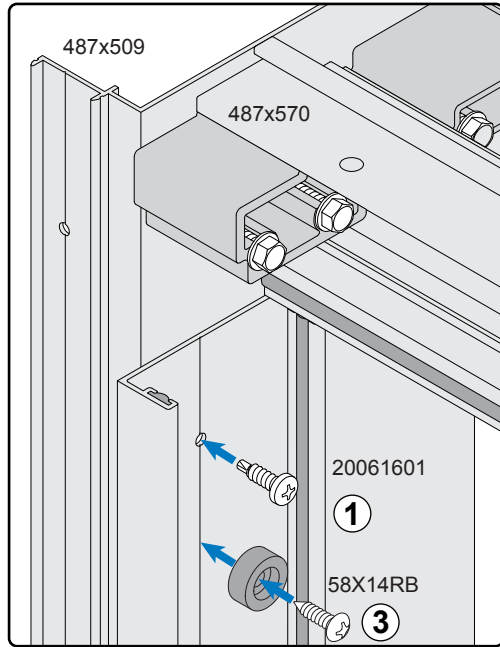
- ① Attach Shear Blocks to Jambs and Verticals.
- ② Slide 487x581 Horizontal under Shear Blocks.
- ③ Secure Horizontal to Shear Blocks.



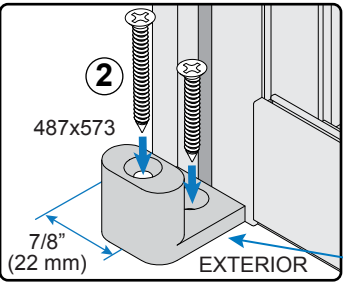
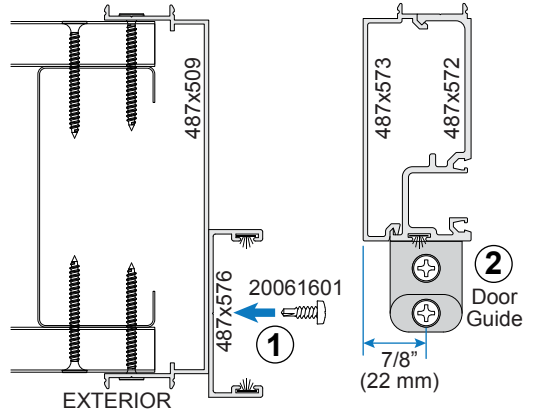
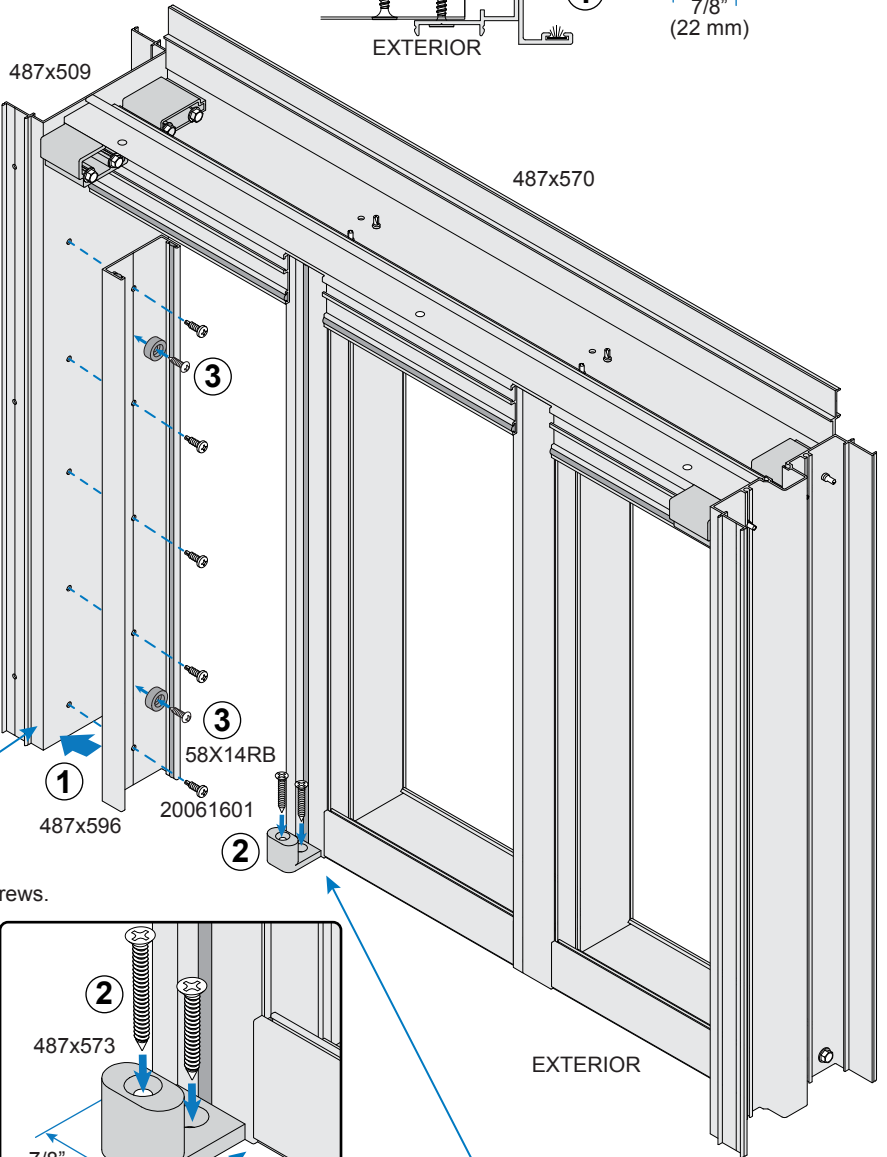
WALL WRAP INSTALLATION (CONTINUED)

Install Door Strike and Guide

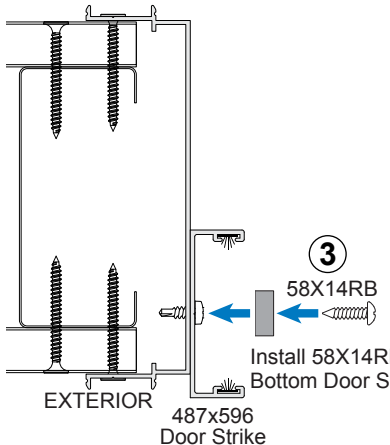
- ① Install 487x596 Door Strike.
- ② Install Door Guide.
- ③ Install 58X14RB Rubber Stops.



Match factory drilled holes and secure with 20061601 Screws.



Align Door Guide Base tight to edge. Position centerline of Guide 7/8" inset from face of Door Jamb 487x573. Secure with included screws. NOTE: Use anchors for concrete installations.



Install 58X14RB Rubber Stops at Top and Bottom Door Strike with included screw.

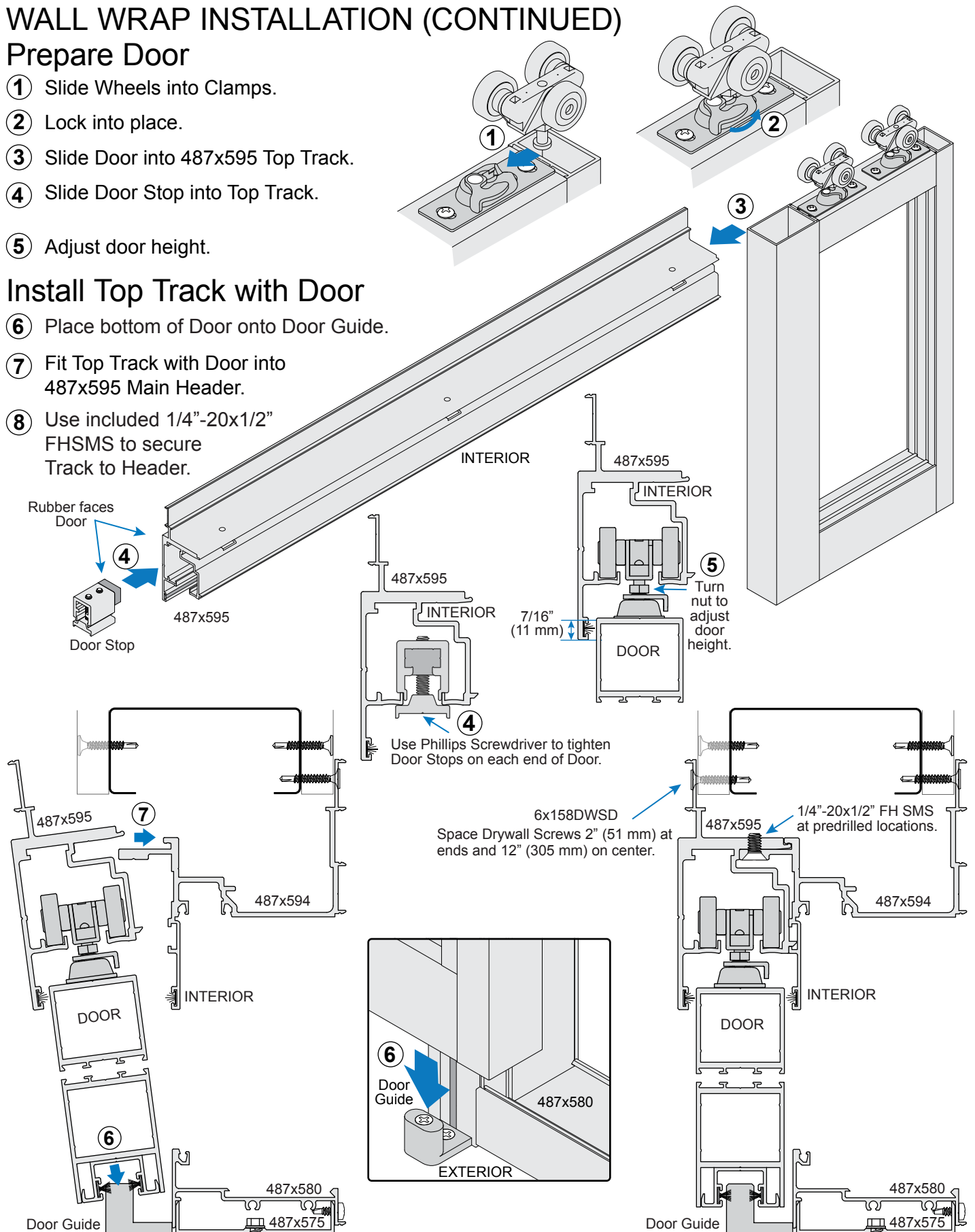
WALL WRAP INSTALLATION (CONTINUED)

Prepare Door

- ① Slide Wheels into Clamps.
- ② Lock into place.
- ③ Slide Door into 487x595 Top Track.
- ④ Slide Door Stop into Top Track.
- ⑤ Adjust door height.

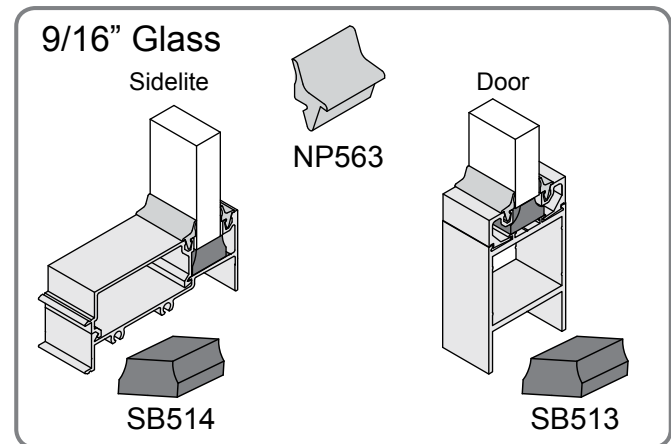
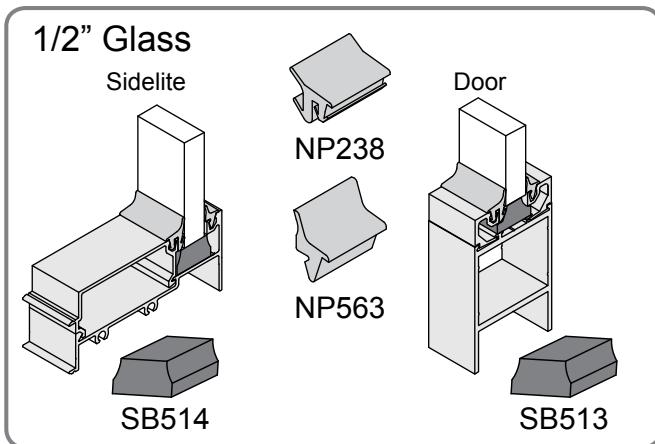
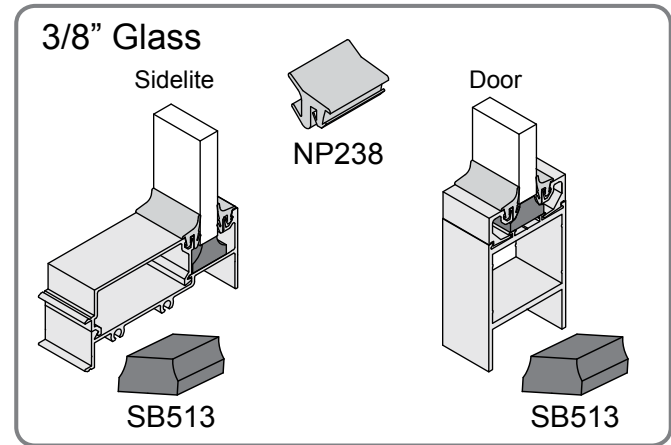
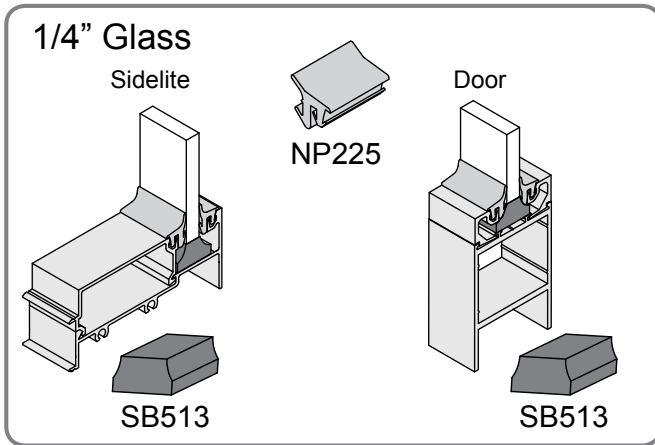
Install Top Track with Door

- ⑥ Place bottom of Door onto Door Guide.
- ⑦ Fit Top Track with Door into 487x595 Main Header.
- ⑧ Use included 1/4"-20x1/2" FHMS to secure Track to Header.



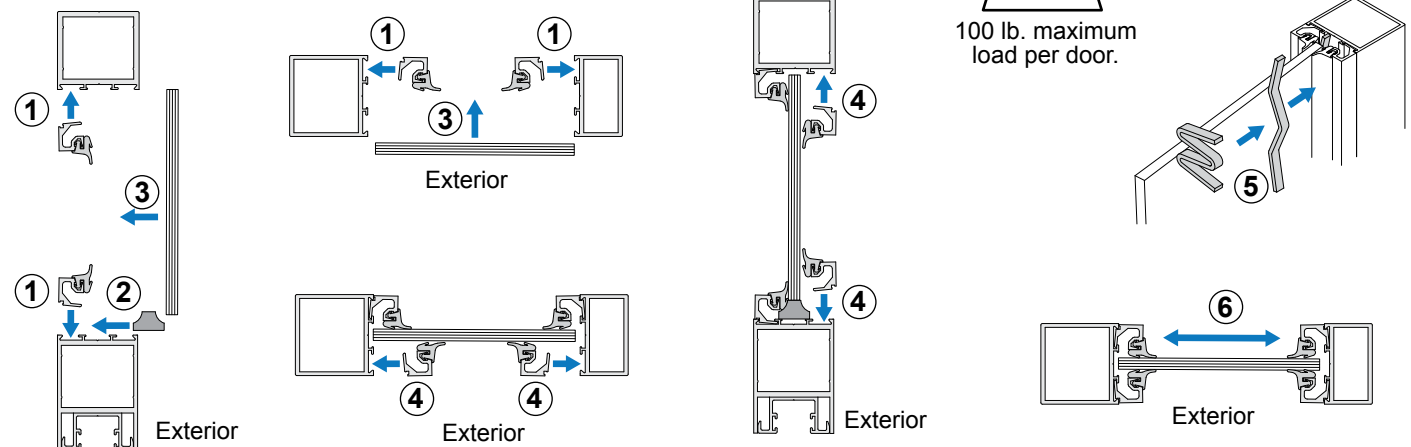
Glass Sizing and Glazing Components

GLASS SIZE = D.L.O. + 5/8" or 5/16" GLASS BITE EACH POCKET



Door Glazing Sequence

Important: Maximum 100 lbs (45 kg) each Door.

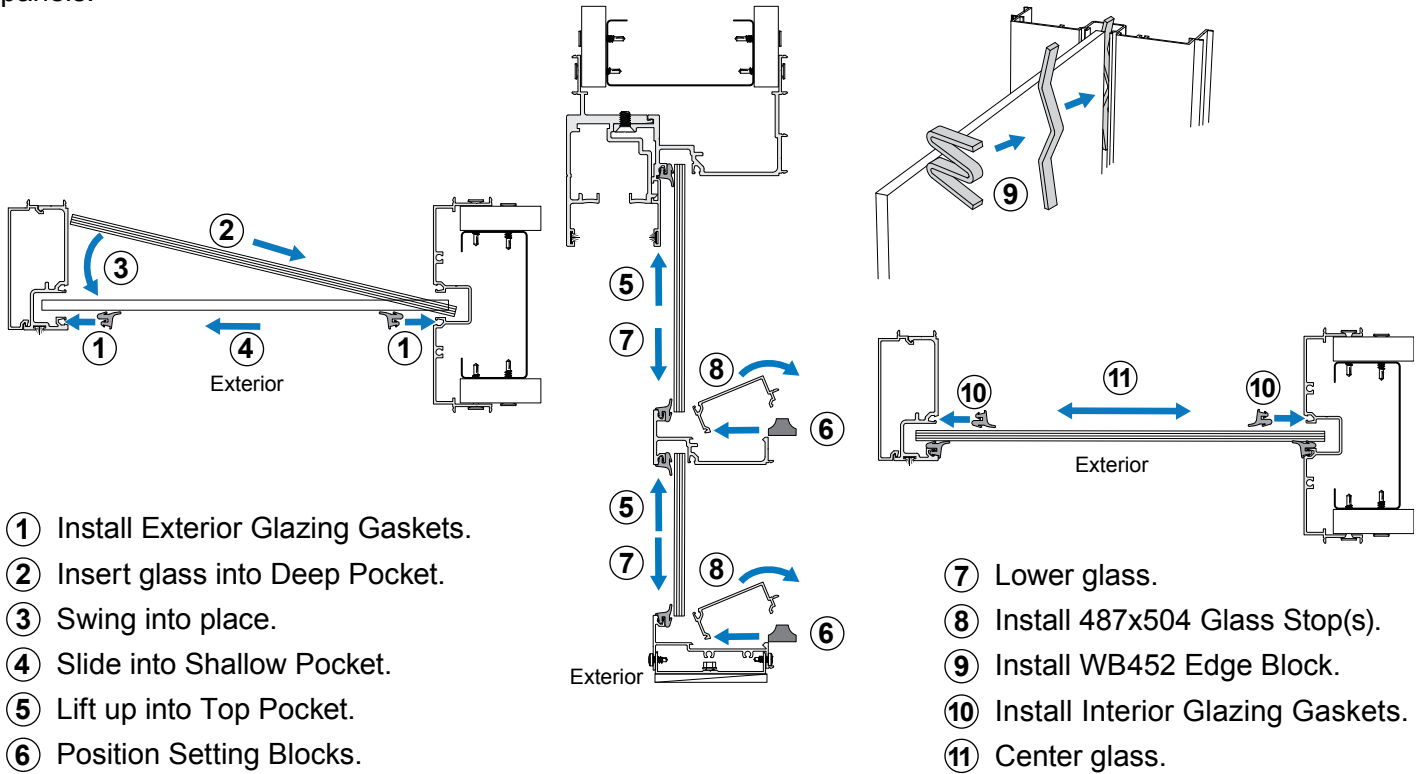


- ① Install Interior Glazing Stops and Gaskets.
- ② Position Setting Blocks.
- ③ Place glass.

- ④ Install Exterior Glazing Stops and Gaskets.
- ⑤ Install WB452 Edge Block.
- ⑥ Center glass.

Sidelite Glazing Sequence

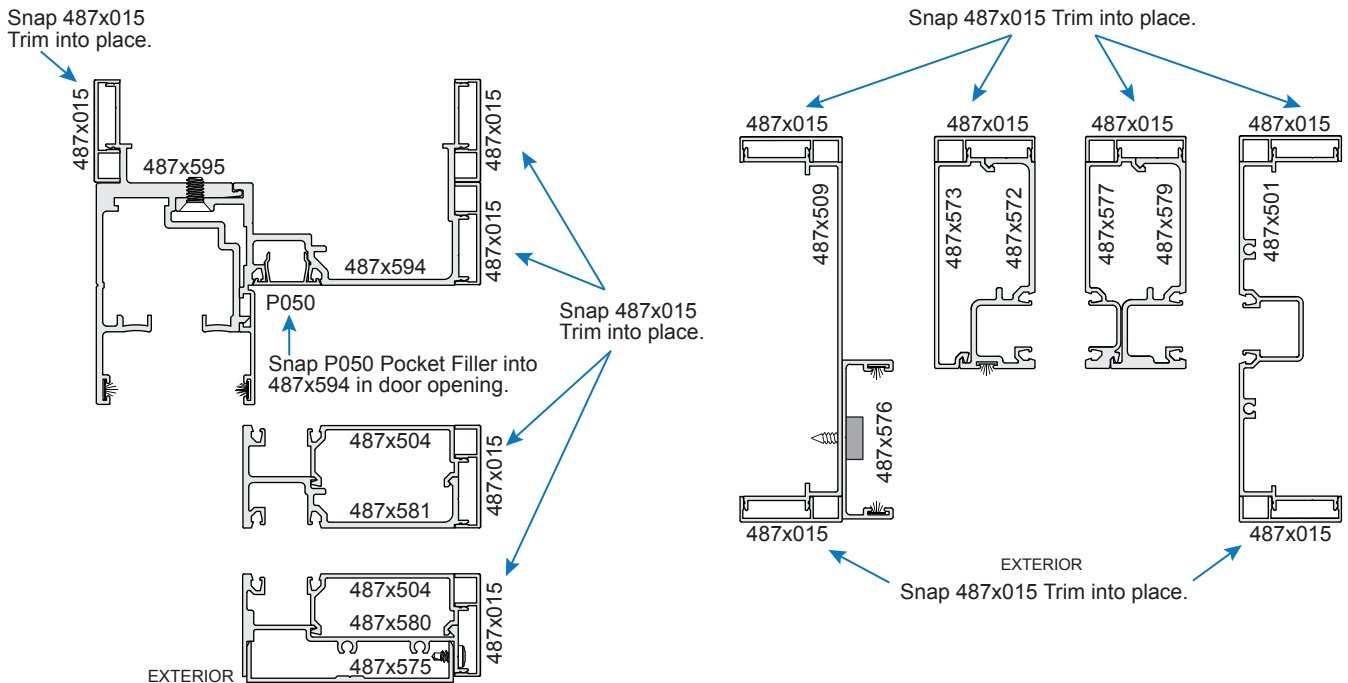
Important: Maximum 50 lbs (23 kg) each Sidelite. Note: Additional shim support under the sill member is required for any loads over 50 lbs (23 kg). Optional Horizontals shown. Glaze bottom panels before top panels.



- ① Install Exterior Glazing Gaskets.
- ② Insert glass into Deep Pocket.
- ③ Swing into place.
- ④ Slide into Shallow Pocket.
- ⑤ Lift up into Top Pocket.
- ⑥ Position Setting Blocks.

- ⑦ Lower glass.
- ⑧ Install 487x504 Glass Stop(s).
- ⑨ Install WB452 Edge Block.
- ⑩ Install Interior Glazing Gaskets.
- ⑪ Center glass.

Install Pocket Filler and Trim

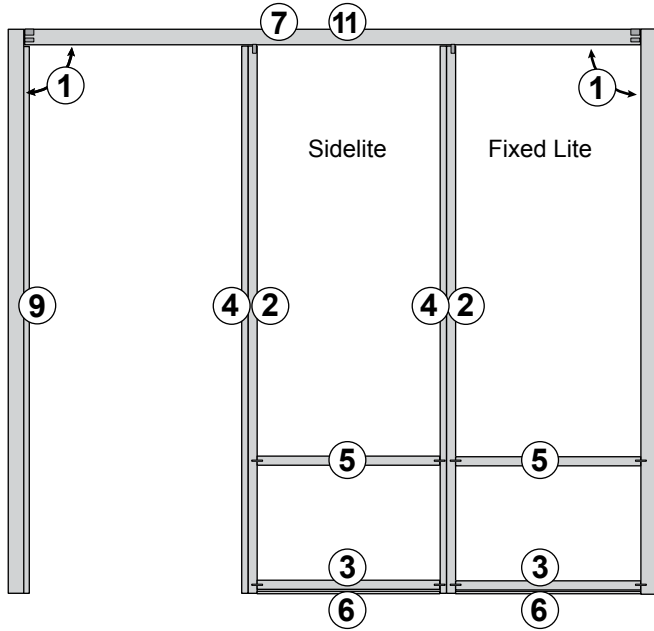


Proceed to Page 34 for Final Adjustments.

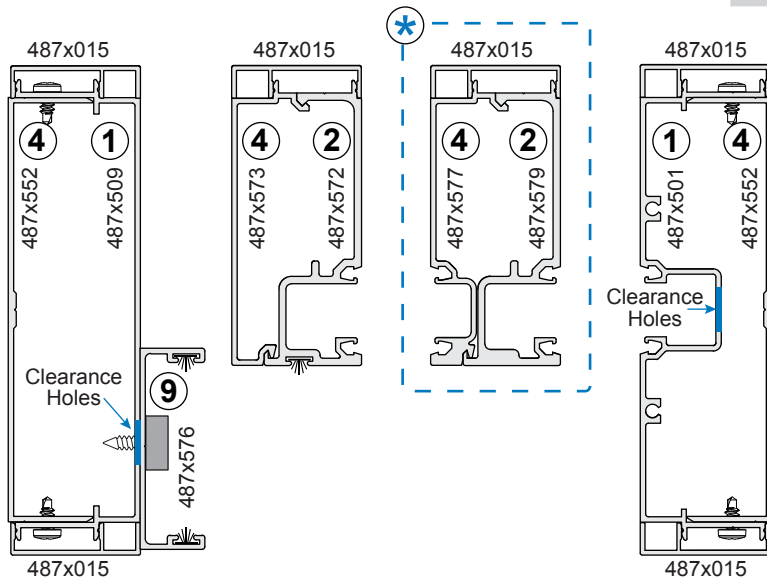
SLIDING DOOR WITH SIDELITE AND FIXED LITE SURFACE MOUNT ASSEMBLY AND INSTALLATION

With Surface Mount Installations the frames are assembled on a clean flat surface first and then tilted into the opening. Before assembly, drill clearance holes in Jambs for mounting.

NOTE: Sliding Door with Single Sidelite,
Do not use 487x577 and 487x579 Verticals.
Sidelites with Horizontals add Step 6.



*** NOTE:** For Single Sidelite Installations,
disregard these profiles.



NOTE: Drill clearance holes in 487x501 at Glass Pocket and in 487x509 behind 487x590. Holes should clear perimeter fastener heads. Use holes to mount assembled frame at 487x552 to wall.

■ NOTE: Add profiles for installations with Horizontal Mullions at Sidelites.

NOTE: Follow instructions on Pages 7 - 9 for Drywall Preparation and Installation.

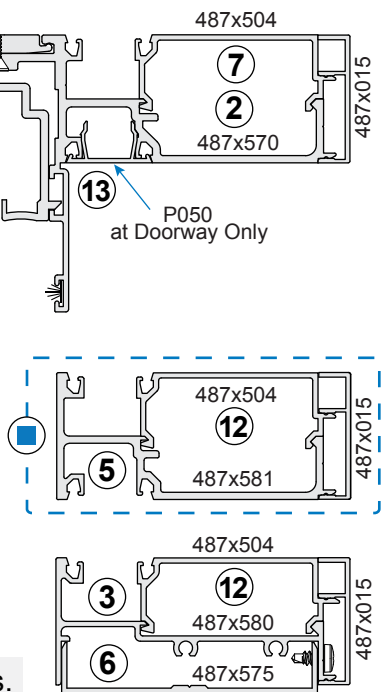
Sliding Door with Sidelite and Fixed Lite

Surface Mount Assembly Order

1	Jambs to Main Header	Page 22
2	Verticals to Main Header	Page 22
3	Sills	Page 23
4	Finish Verticals	Page 23
5	Horizontals (Optional)	Page 16

Surface Mount Installation Order

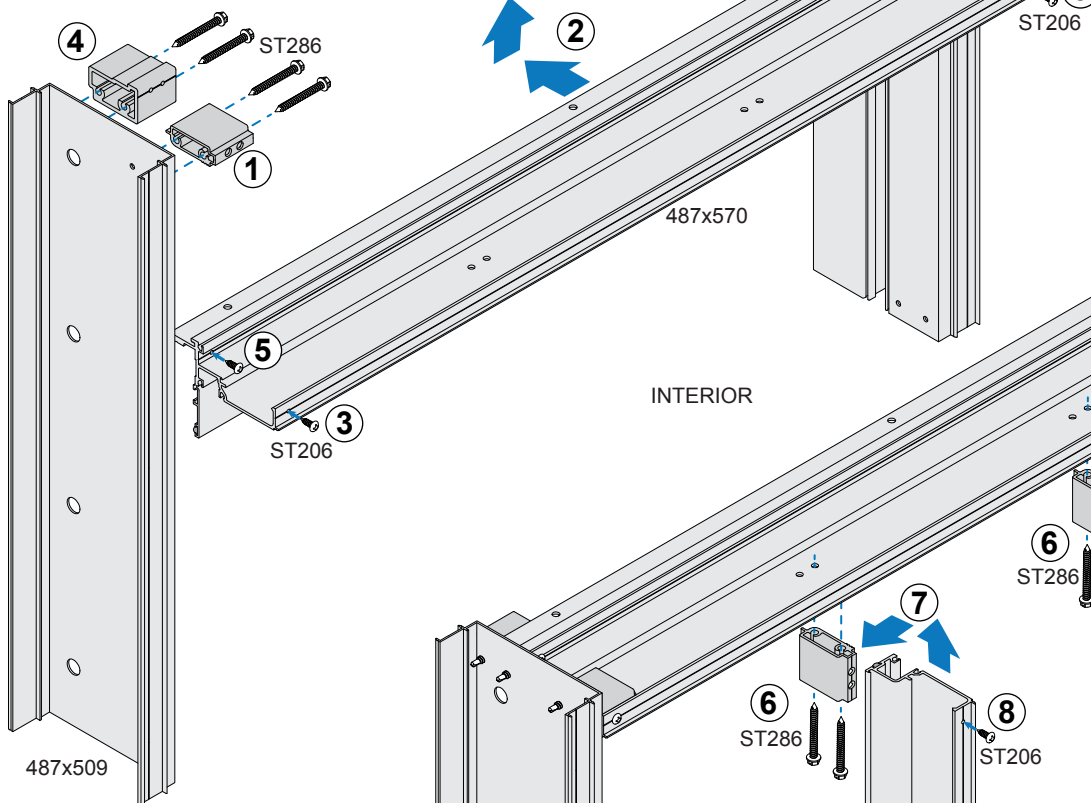
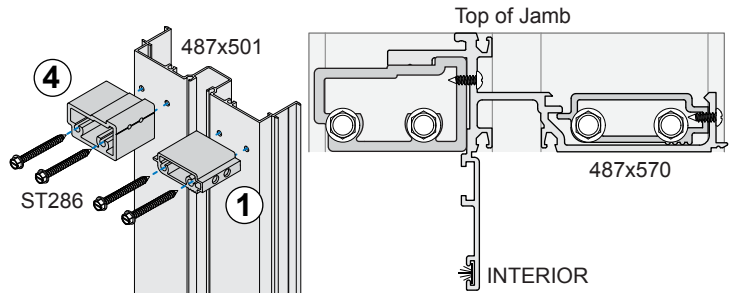
6	Floor Tracks	Page 24
7	Header Cover	Page 24
8	Frame Installation	Page 24
9	Door Strike and Guide	Page 25
10	Door Prep and Installation	Page 26
11	Top Track	Page 26
12	Glazing	Page 19 - 20
13	Pocket Filler and Trim	Page 27



SURFACE MOUNT ASSEMBLY

Attach Jamb to Main Header

- ① Attach Small Shear Blocks to Jamb with ST286 Screws.
- ② Slide 487x594 Main Header under Shear Blocks.
- ③ Secure Main Header to Small Shear Bocks with ST206 Screws.
- ④ Attach Large Shear Blocks to Jamb with ST286 Screws.
- ⑤ Secure Main Header to Large Shear Bocks.

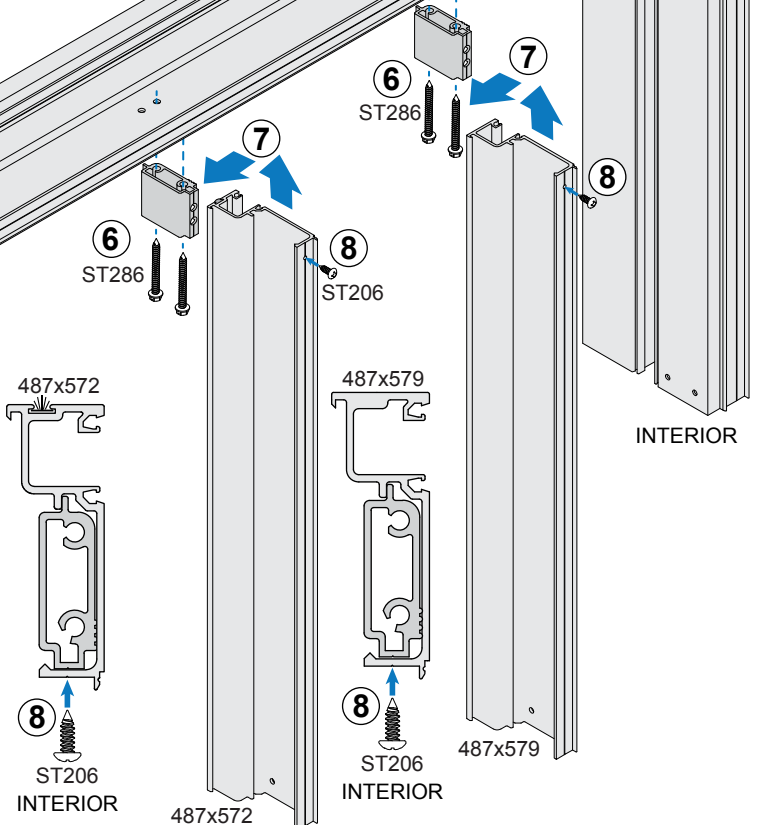


Install Verticals

- ⑥ Attach Shear Blocks to Main Header with ST286 Screws.

NOTE: Main Header fabricated for left and right sliding doors. Use appropriate 2 holes to install Shear Bocks for your installation.

- ⑦ Place 487x579 and 487x572 Verticals under Main Header.
- ⑧ Secure Verticals to Shear Blocks with ST206 Screws.

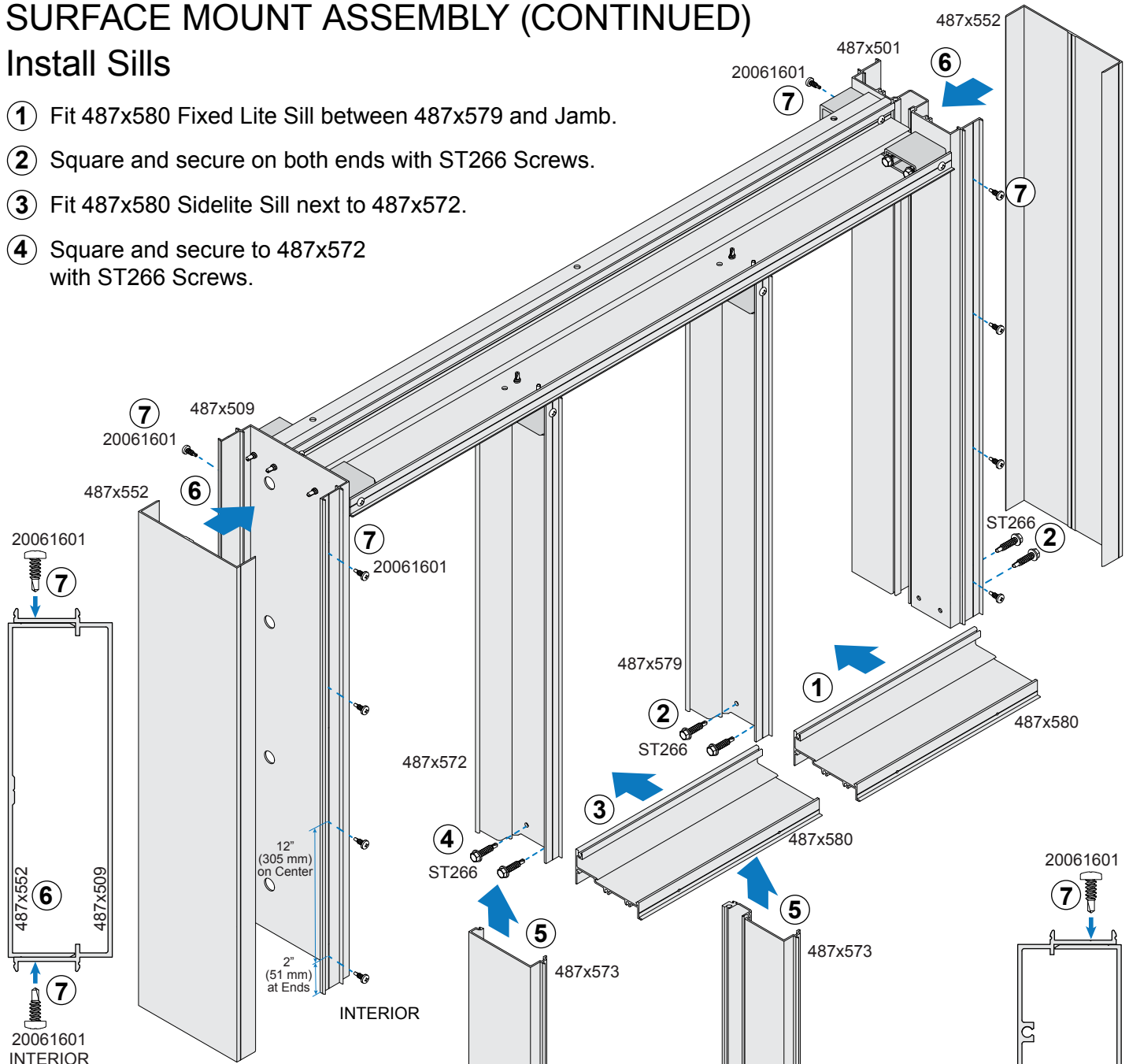


NOTE: For Single Sidelite Installations use only 487x572 Vertical.

SURFACE MOUNT ASSEMBLY (CONTINUED)

Install Sills

- ① Fit 487x580 Fixed Lite Sill between 487x579 and Jamb.
- ② Square and secure on both ends with ST266 Screws.
- ③ Fit 487x580 Sidelite Sill next to 487x572.
- ④ Square and secure to 487x572 with ST266 Screws.

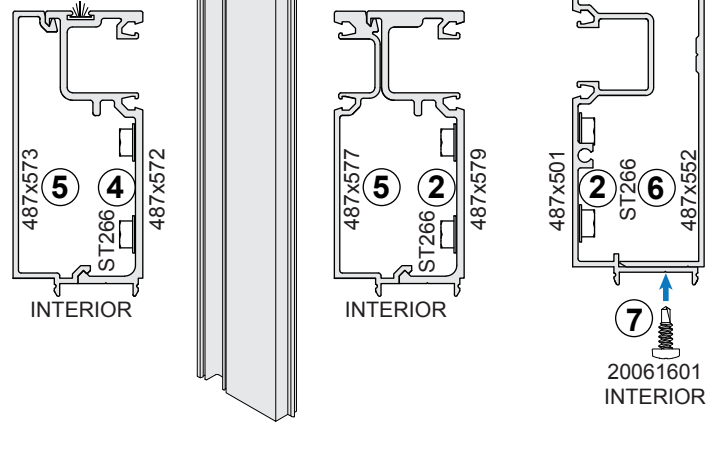


Finish Verticals

- ⑤ Slide 487x573 Verticals into bottom of 487x579 and 487x572 Verticals.

NOTE: 487x573 Verticals can be snapped into 487x579 and 487x572 Verticals.

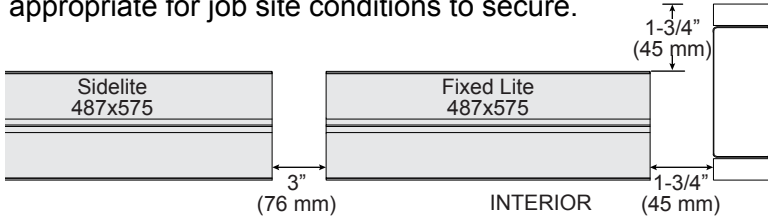
- ⑥ Install 487x552 at Jamb.
- ⑦ Square and secure with 20061601 Screws at interior and exterior. Space screws 2" (51 mm) at ends and 12" (305 mm) on center.



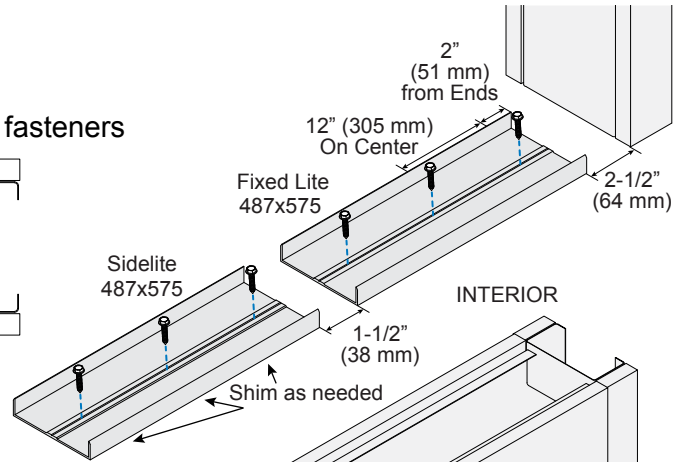
SURFACE MOUNT INSTALLATION

Install Floor Tracks

Position 487x575 Floor Track for each lite as shown. Use fasteners appropriate for job site conditions to secure.



NOTE: Install one 487x575 Floor Track for each lite with 3" (76 mm) gap between them.



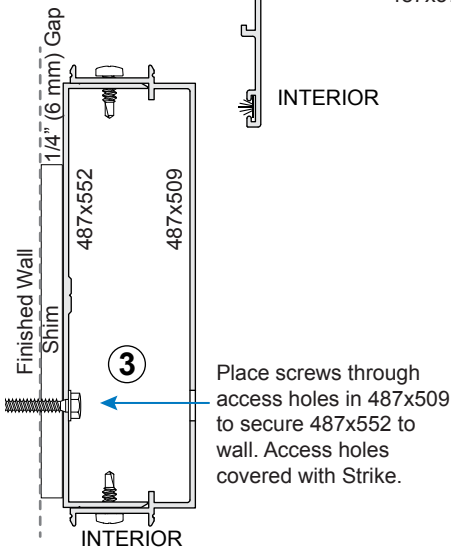
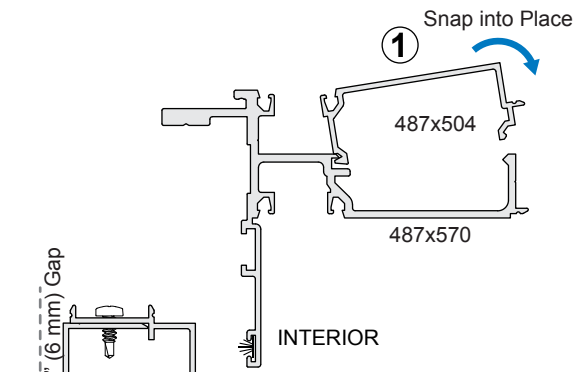
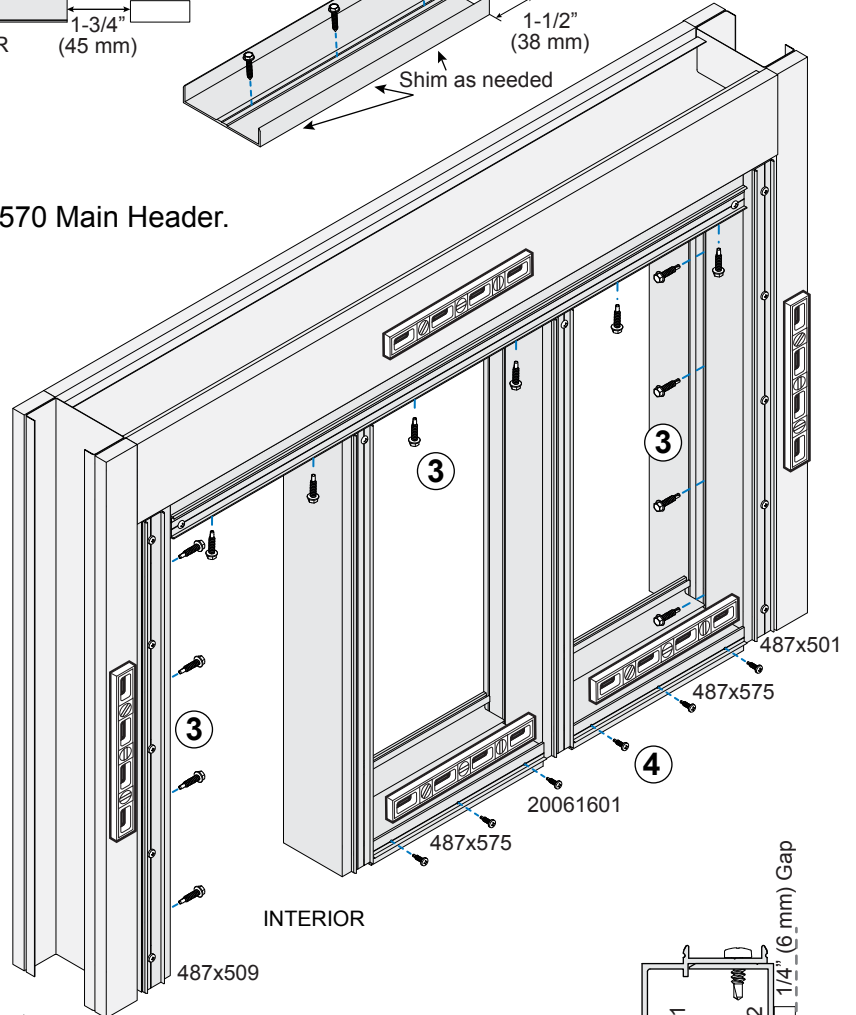
Install Header Cover

- 1 Install 487x504 Header Cover into 487x570 Main Header.

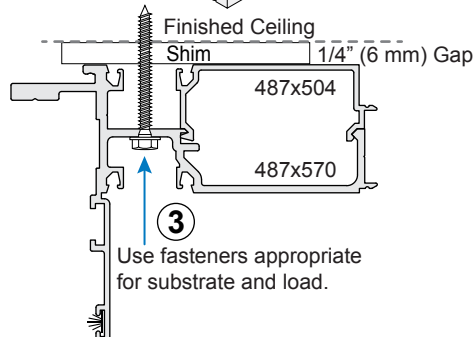
Install Frame and Secure

- 2 Slide frame into opening and lower onto 487x575 Floor Tracks.
- 3 Square and secure at ceiling and walls. Use fasteners appropriate for job site conditions to secure.
- 4 Square and secure at Sill with 20061601 screws.

NOTE: Space screws 2" (51 mm) at ends and 12" (305 mm) on center.

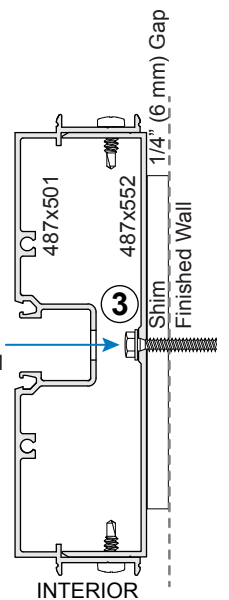
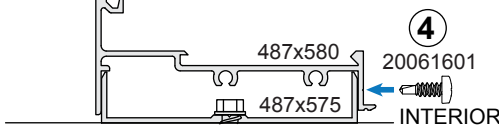


Place screws through access holes in 487x509 to secure 487x552 to wall. Access holes covered with Strike.



Use fasteners appropriate for substrate and load.

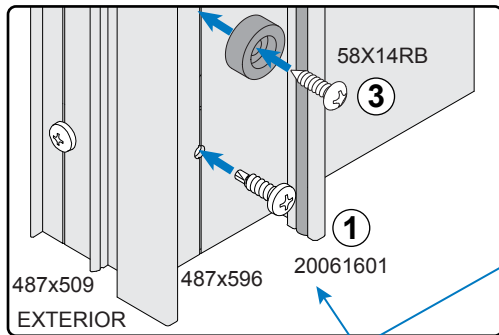
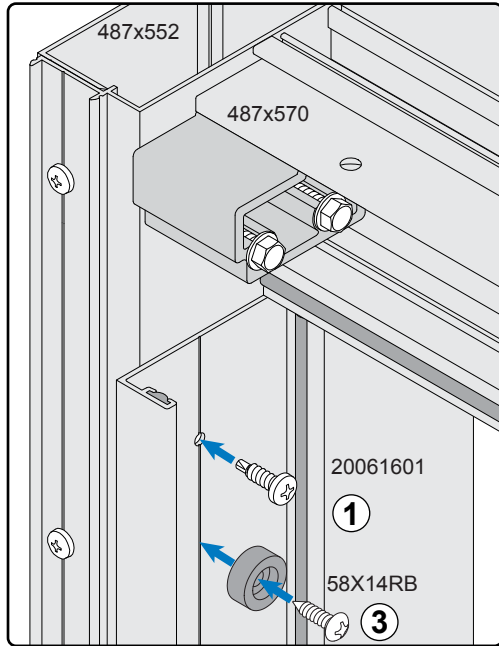
Place screws through access holes in 487x501 glass pocket to secure 487x552 to wall.



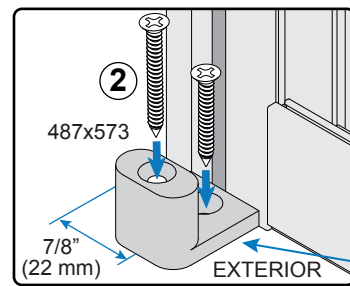
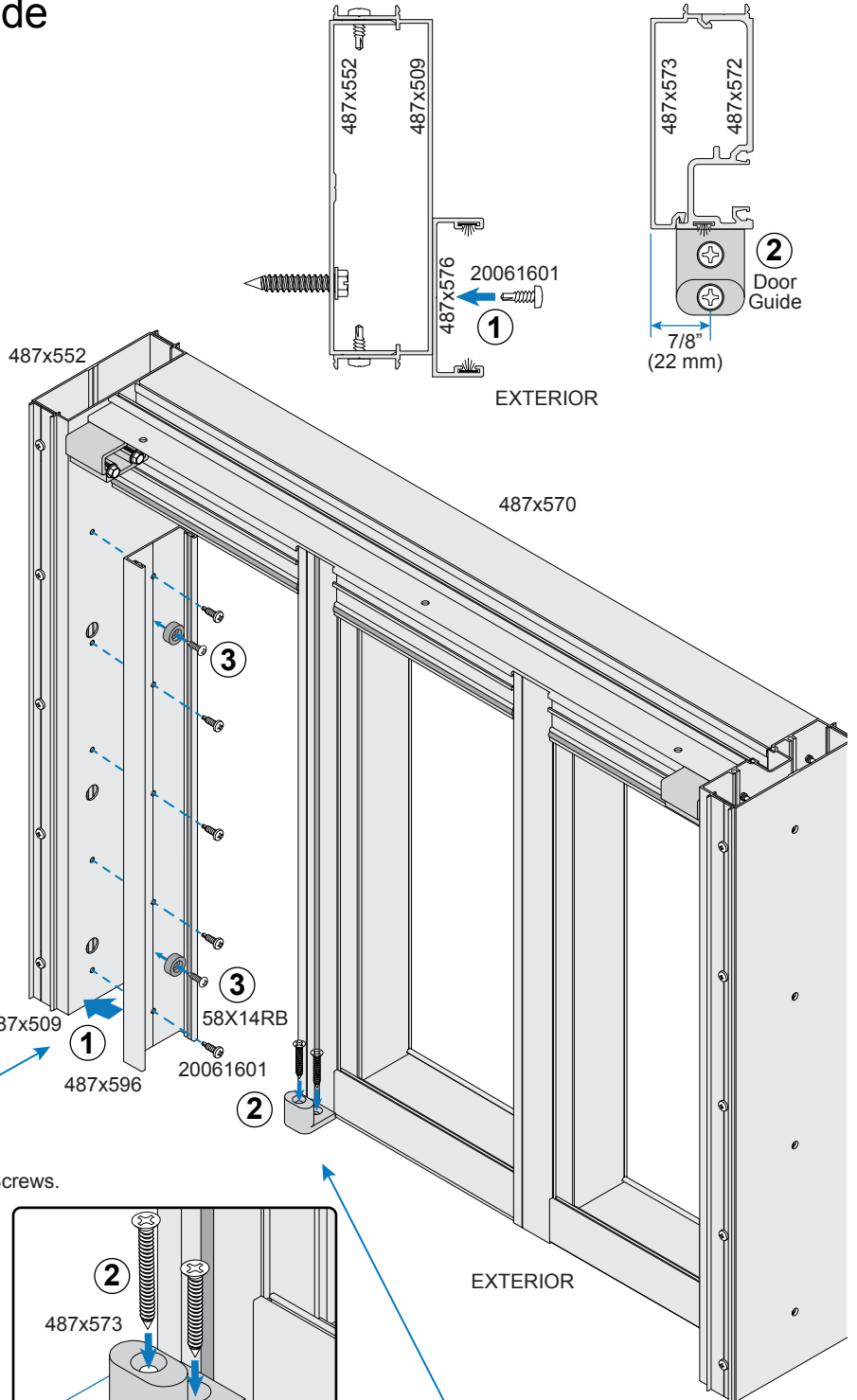
SURFACE MOUNT INSTALLATION (CONTINUED)

Install Door Strike and Guide

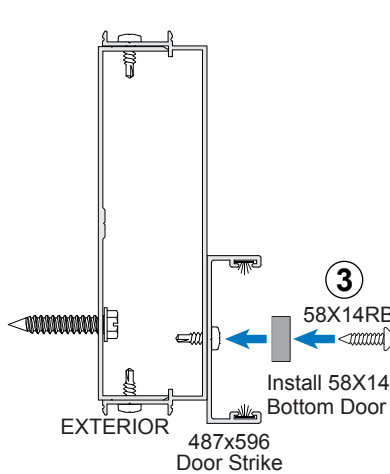
- ① Install 487x596 Door Strike.
- ② Install Door Guide.
- ③ Install 58X14RB Rubber Stops.



Match factory drilled holes and secure with 20061601 Screws.



Align Door Guide Base tight to edge. Position centerline of Guide 7/8" inset from face of Door Jamb 487x573. Secure with included screws. NOTE: Use anchors for concrete installations.

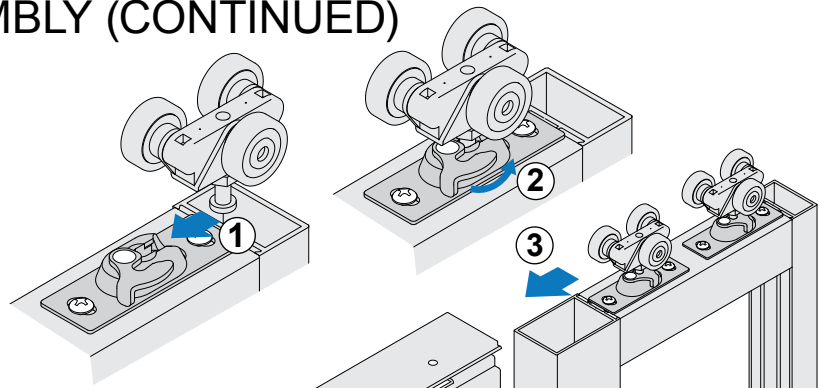


Install 58X14RB Rubber Stops at Top and Bottom Door Strike with included screw.

SURFACE MOUNT ASSEMBLY (CONTINUED)

Prepare Door

- ① Slide Wheels into Clamps.
- ② Lock into place.
- ③ Slide Door into 487x571 Top Track.
- ④ Slide Door Stop into Top Track.
- ⑤ Adjust door height.



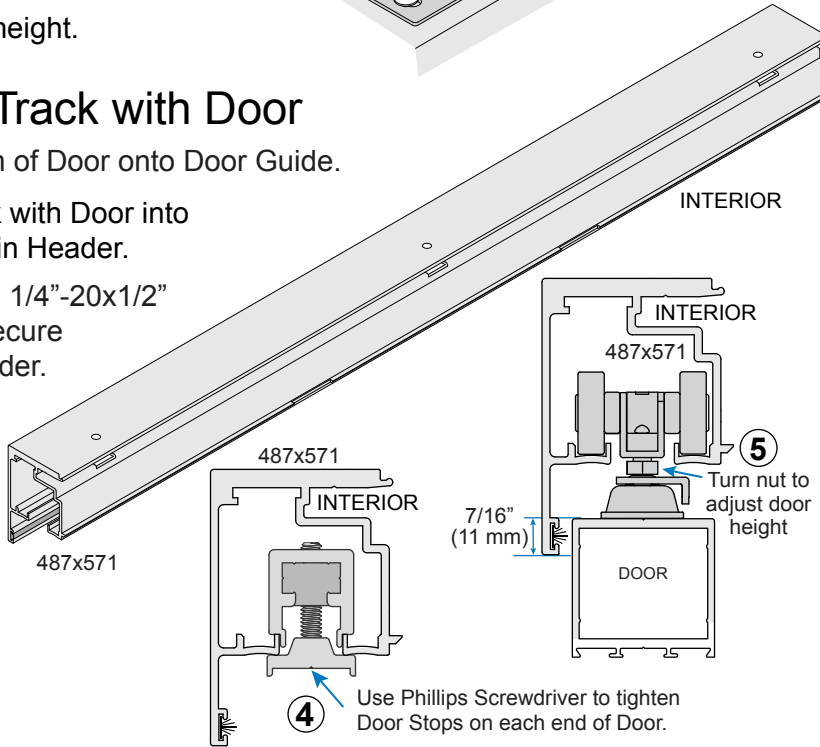
Install Top Track with Door

- ⑥ Place bottom of Door onto Door Guide.
- ⑦ Fit Top Track with Door into 487x570 Main Header.
- ⑧ Use included 1/4"-20x1/2" FHSMS to secure Track to Header.

Rubber faces
Door

④

Door Stop



INTERIOR

INTERIOR

487x571

⑤

Turn nut to
adjust door
height

7/16"
(11 mm)

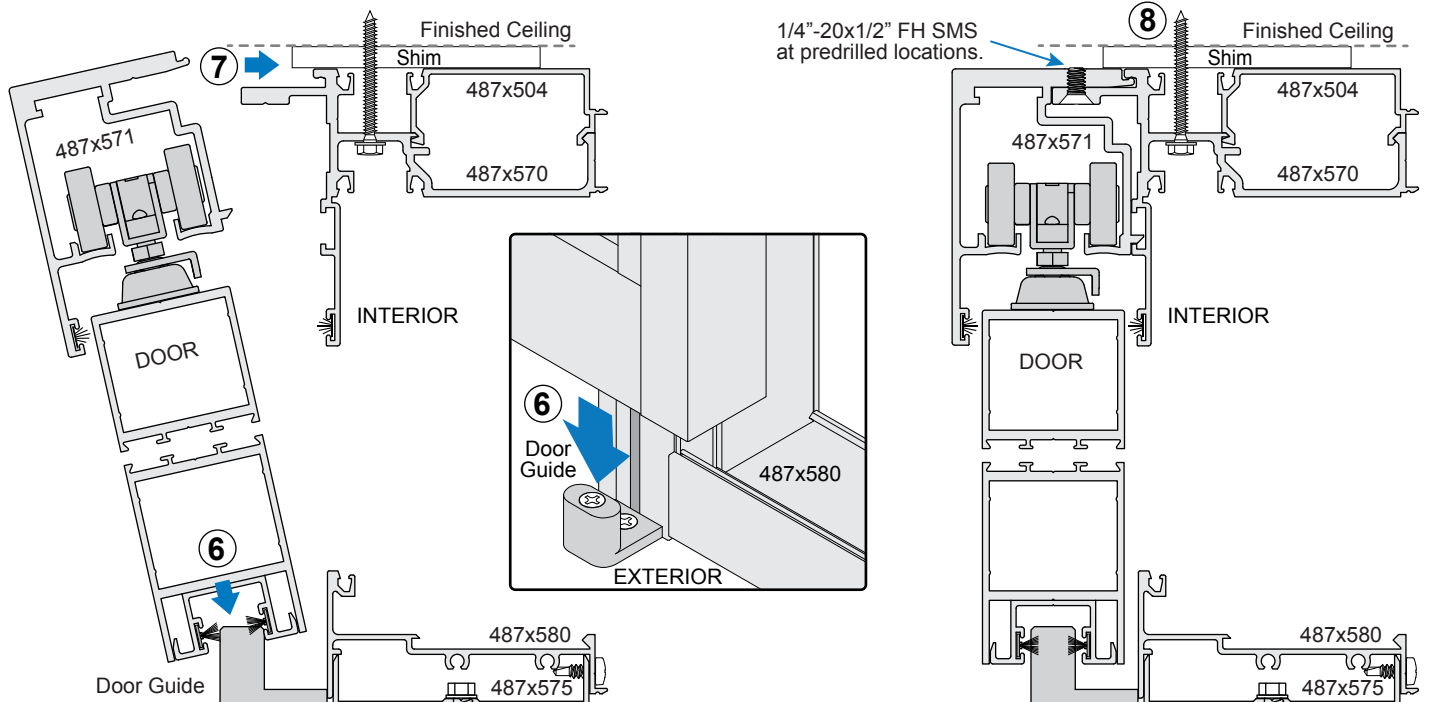
DOOR

487x571

INTERIOR

④

Use Phillips Screwdriver to tighten
Door Stops on each end of Door.



Finished Ceiling

Shim

487x504

487x570

INTERIOR

DOOR

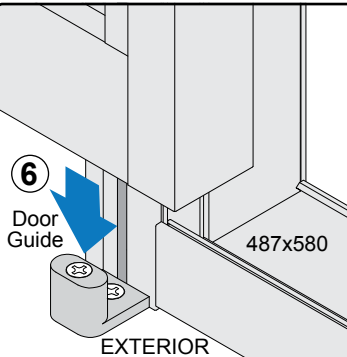
⑦

⑥

Door Guide

487x580

487x575



⑥

Door
Guide

EXTERIOR

1/4"-20x1/2" FH SMS
at predrilled locations.

⑧

Finished Ceiling

Shim

487x504

487x570

INTERIOR

DOOR

487x571

487x570

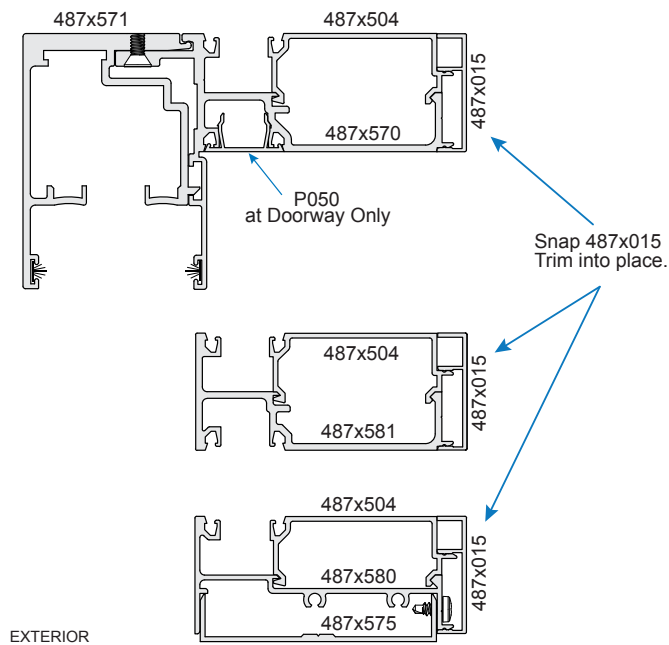
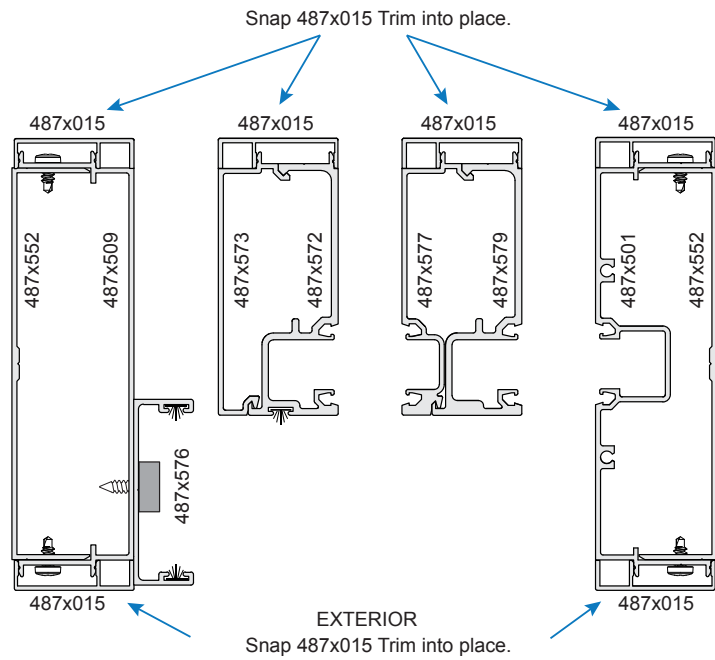
487x580

487x575

SURFACE MOUNT INSTALLATION (CONTINUED)

Follow instructions on Pages 18 - 19 to glaze the frame and door.

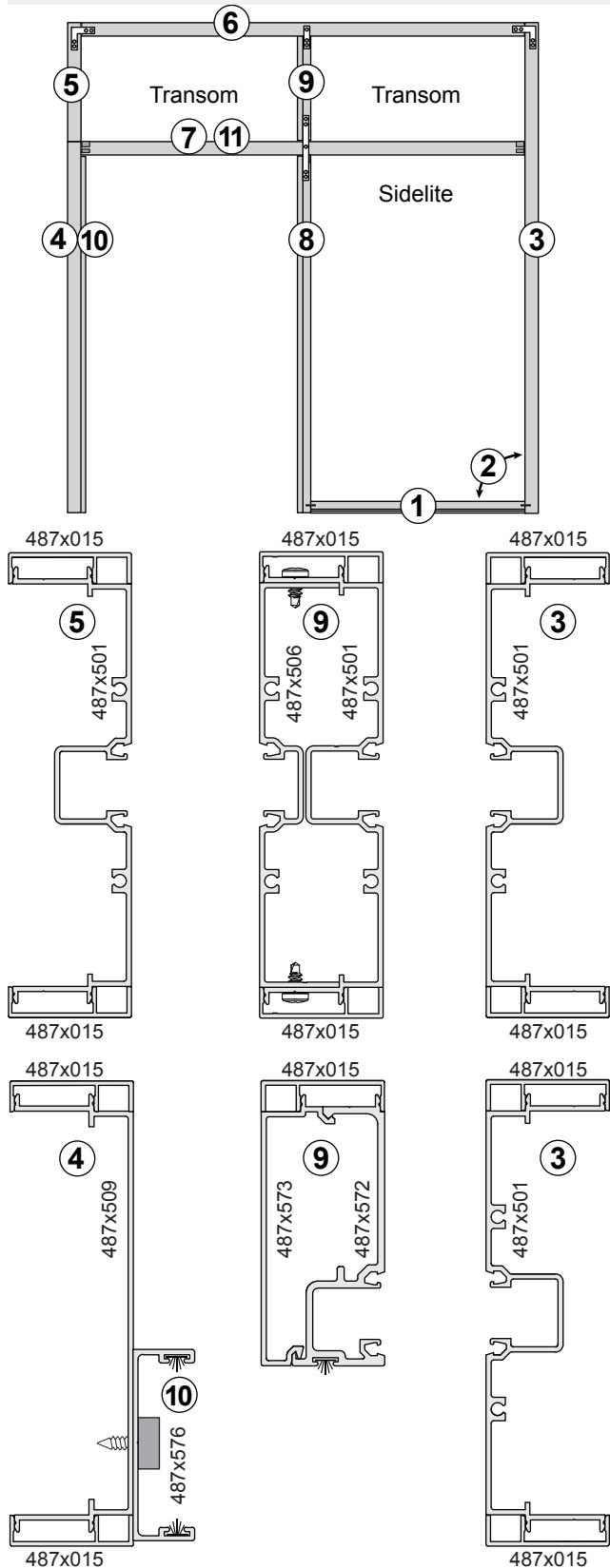
Install Pocket Filler and Trim



Proceed to Page 34 for Final Adjustments.

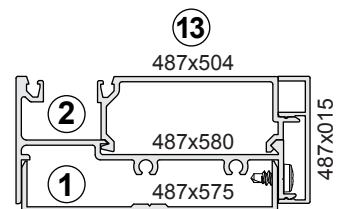
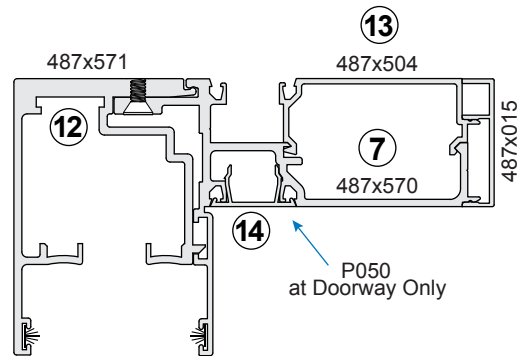
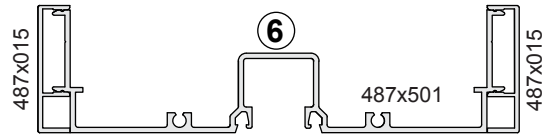
SLIDING DOOR WITH TRANSOM INSTALLATION

NOTE: For Fixed Lite Installations, include 487x577 and 487x579 verticals shown in Sliding Door with Sidelite and Fixed Lite Installations. Wall Wrap Installation shown. For Surface Mount Installation add 487x552 at Jamb and Transom Head. See Page 16 for Optional Horizontal Installation.



Sliding Door with Transom Installation Order

①	Floor Track	Page 11
②	Sill to Wall Jamb	Page 11
③	Wall Jamb	Page 12
④	Door Jamb at Wall	Page 13
⑤	Transom Jamb	Page 29
⑥	Transom Head	Page 29
⑦	Main Header	Page 29
⑧	Sidelite Vertical	Page 15
⑨	Transom Vertical	Page 30
⑩	Door Strike and Guide	Page 17
⑪	Door Prep and Installation	Page 26
⑫	Top Track	Page 31
⑬	Glazing	Page 19 - 20, 32
⑭	Pocket Filler and Trim	Page 32



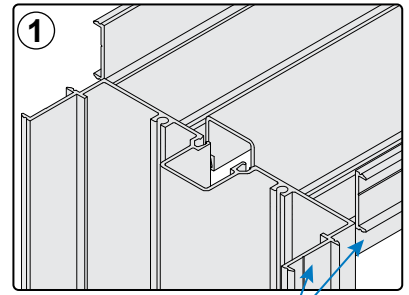
Follow instructions on Pages 7 - 9 for Drywall Preparation and Installation. Continue on Pages 11 - 12 to install Floor Track and Wall Jamb with Sill.

INSTALL TRANSOM JAMB

Install 487x509 Door Jamb as shown on Page 13. Temporarily hold in place. Install 487x501 Transom Jamb directly above and temporarily hold in place.

INSTALL TRANSOM HEAD

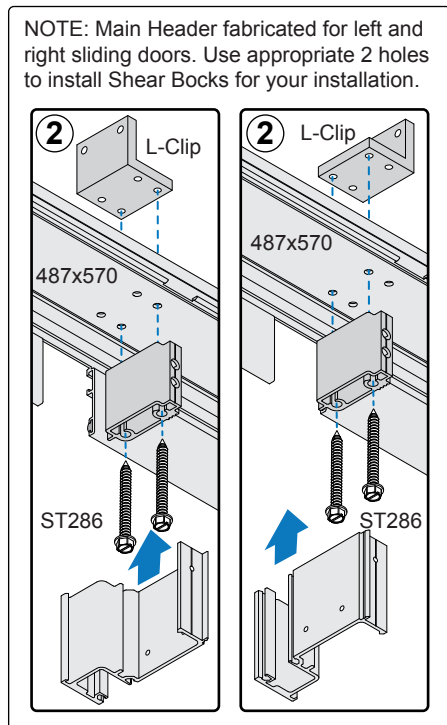
- Slide 487x501 Transom Head between Jambs and fit over drywall. Align top of ledge with tops of Jamb profiles and temporarily hold in place.



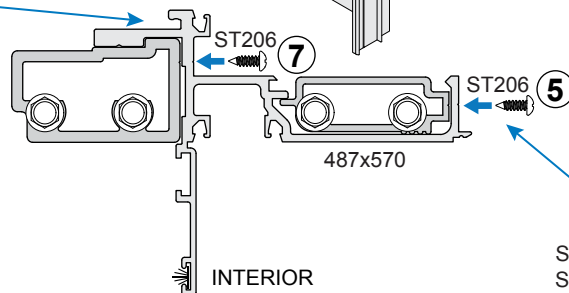
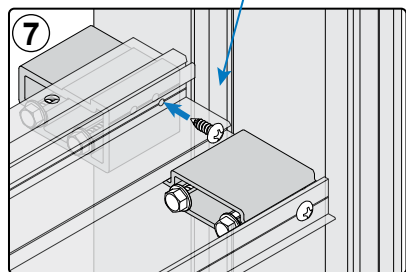
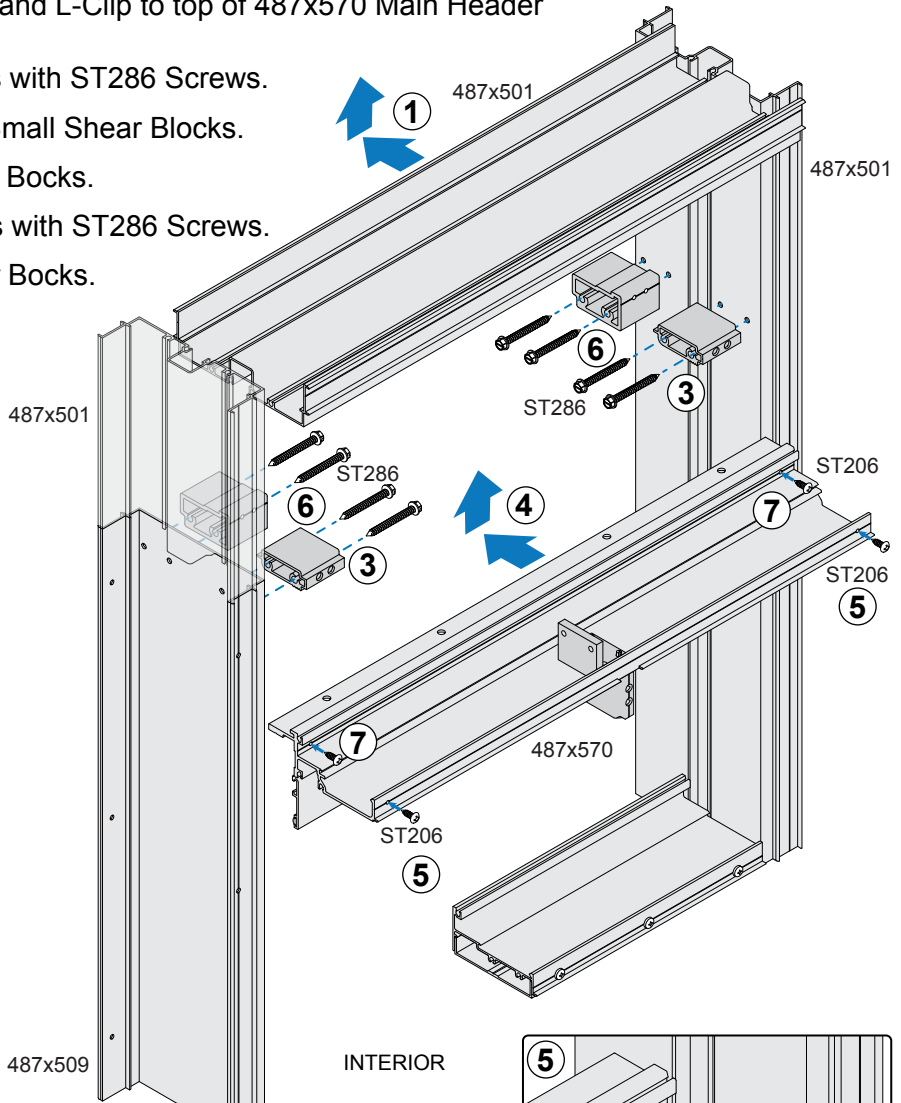
Align top of Transom Head ledge with top of Jamb.

INSTALL MAIN HEADER

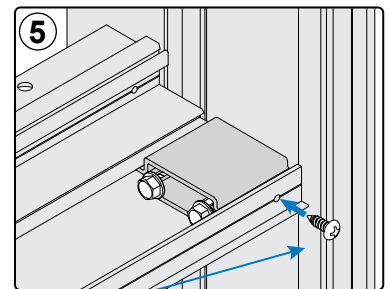
- Attach Small Shear Block to bottom and L-Clip to top of 487x570 Main Header with ST286 Screws.
- Attach Small Shear Blocks to Jambs with ST286 Screws.
- Slide 487x570 Main Header under Small Shear Blocks.
- Secure Main Header to Small Shear Blocks.
- Attach Large Shear Blocks to Jambs with ST286 Screws.
- Secure Main Header to Large Shear Blocks.



Secure 487x570 Main Header at each Large Shear Block with #8x1/2" PH SMS.



Secure 487x570 Main Header at each Small Shear Block with #8x1/2" PH SMS.



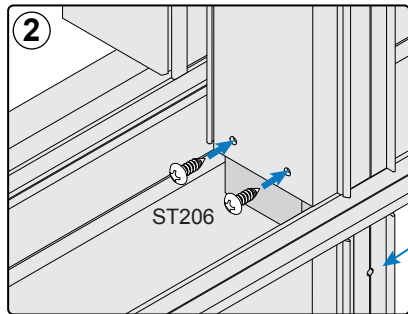
SERIES 487 SLIDING DOOR

Follow instructions on Page 15 to Install Sidelite Vertical and Door Jamb.

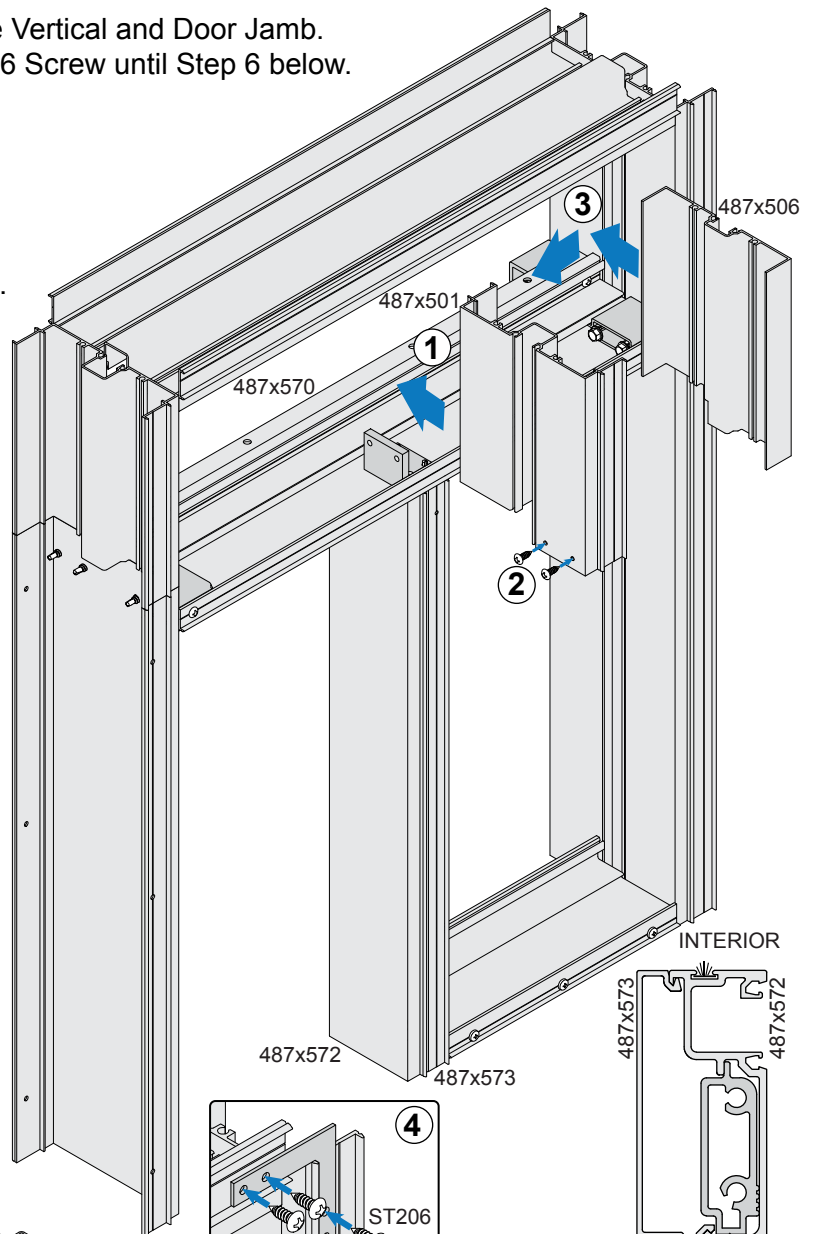
NOTE: Do not secure at Shear Block with ST206 Screw until Step 6 below.

INSTALL TRANSOM VERTICAL

- 1 Fit 487x501 into 487x570 Main Header.
- 2 Secure to L-Clip with ST206 Screws.
- 3 Fit 487x506 into Main Header and 487x501.

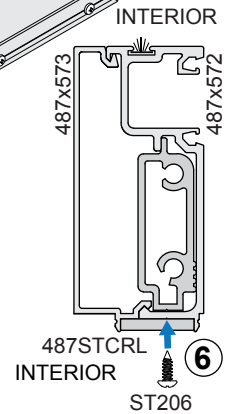
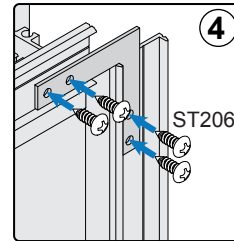
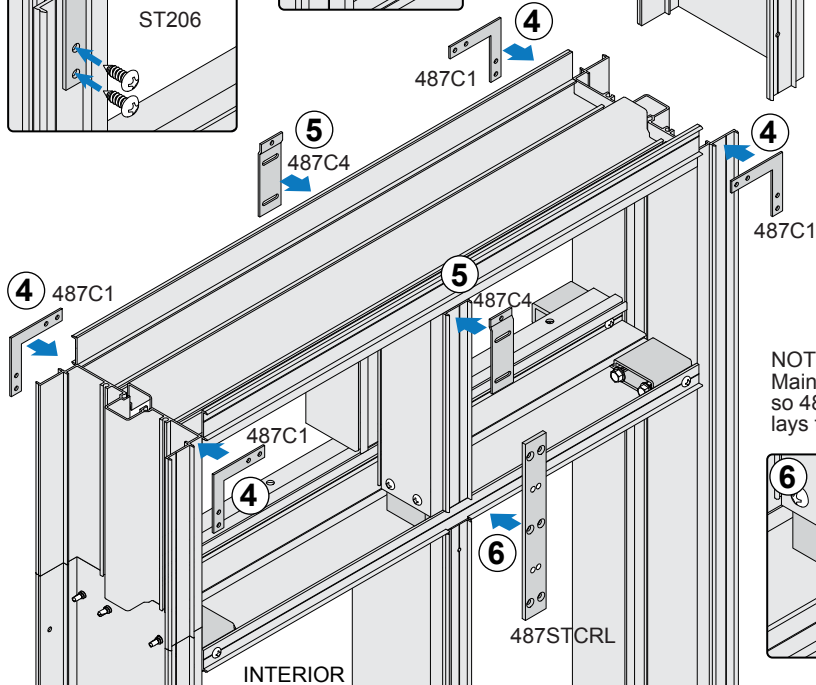
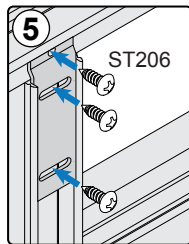
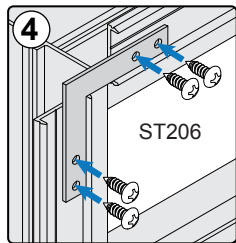


Wait until Step 6 to secure with ST206 Screw.

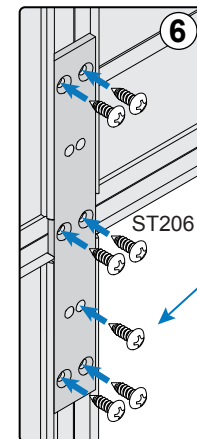
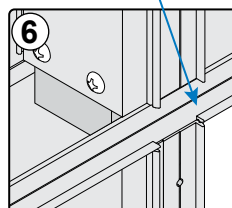


INSTALL CLIPS

- 4 Square frame and install 487C1 Clips at interior and exterior.
- 5 Install 487C4 Clips at interior and exterior.
- 6 Install 487STCRL Bracket at interior.



NOTE: Notch 487x570 Main Header at Vertical so 487STCRL Bracket lays flush.



NOTE: Secure Shear Block to 487x572 Vertical.

SQUARE FRAME AND SECURE

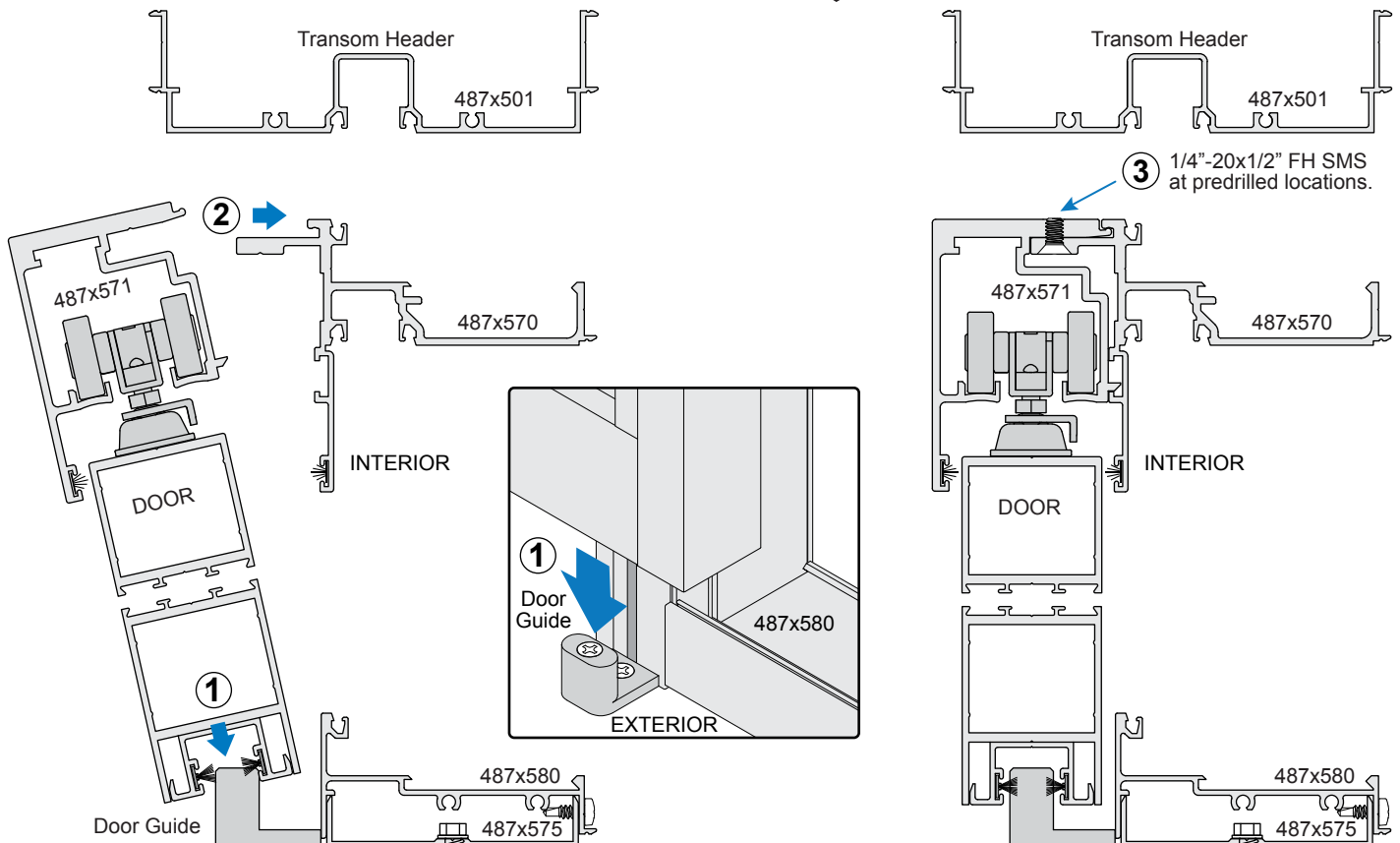
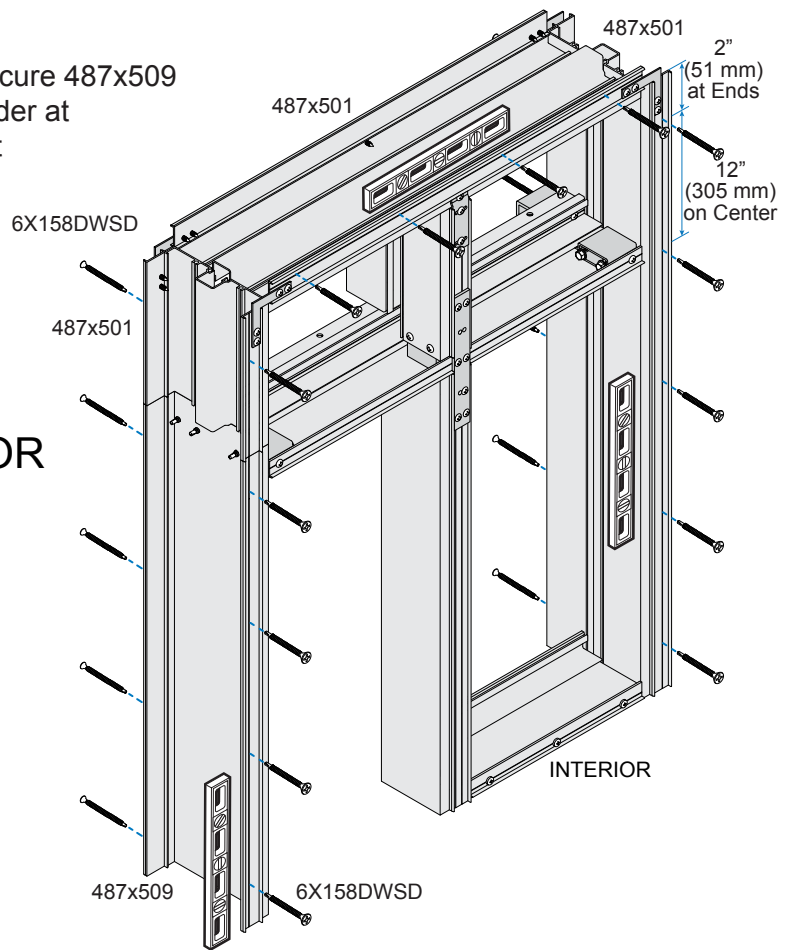
Use Cat. No. 6X158DWSD Drywall Screws to secure 487x509 and 487x501 Jamb and 487x501 Transom Header at interior and exterior. Space screws 2" (51 mm) at ends and 12" (305 mm) on center.

INSTALL TOP TRACK WITH DOOR

Follow instructions on Page 17 to install the Door Strike and Guide. Continue with Page 26 to Prepare Door.

NOTE: 487x504 Header Cover is installed as Glass Stop during glazing.

- ① Place bottom of Door onto Door Guide.
- ② Fit 487x571 Top Track with Door into 487x570 Main Header.
- ③ Use included 1/4"-20x1/2" FHSMS to secure Track to Header.

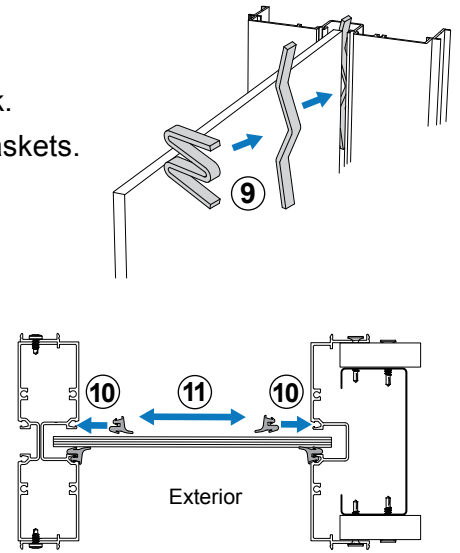
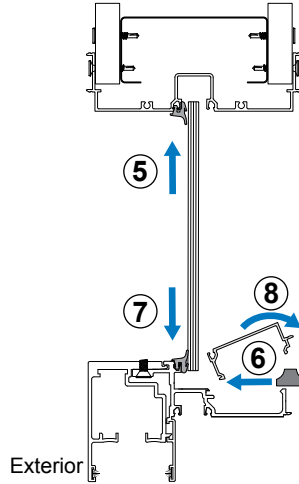
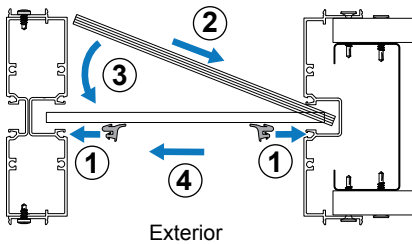


SERIES 487 SLIDING DOOR

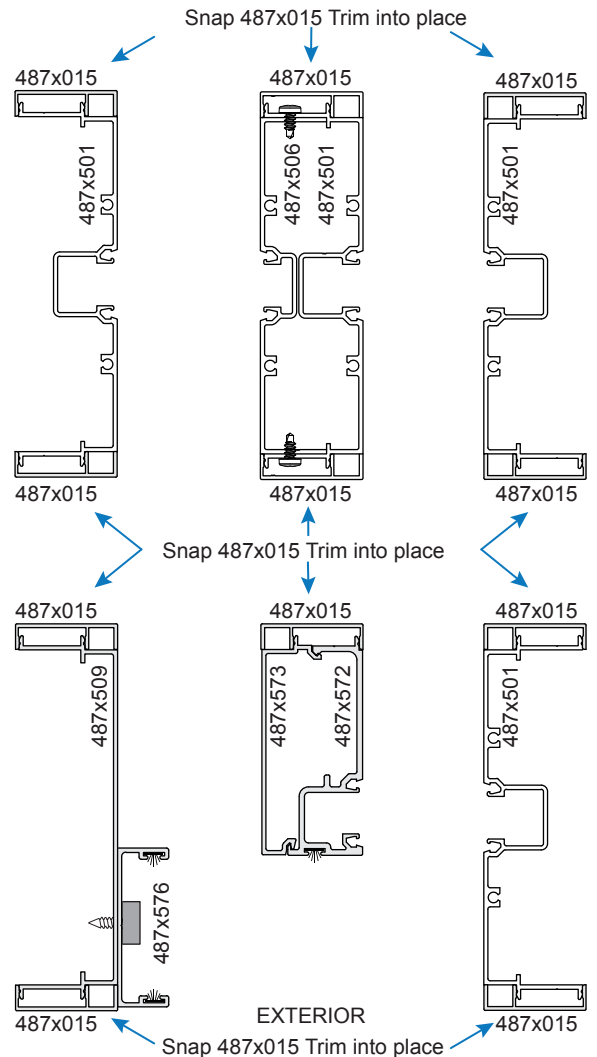
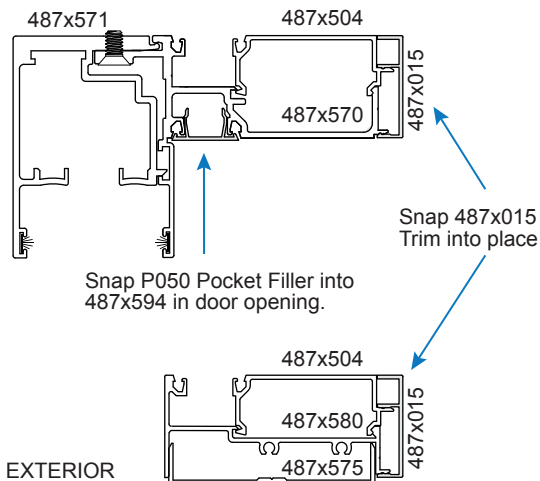
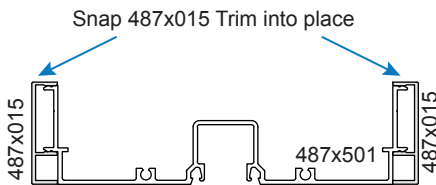
Follow instructions on Pages 19 - 20 to glaze Sidelite and Door.

TRANSOM GLAZING SEQUENCE

- ① Install Exterior Glazing Gaskets.
- ② Insert glass into Deep Pocket.
- ③ Swing into place.
- ④ Slide into Shallow Pocket.
- ⑤ Lift up into Top Pocket.
- ⑥ Position Setting Blocks.
- ⑦ Lower glass.
- ⑧ Install 487x504 Glass Stop(s).
- ⑨ Install WB452 Edge Block.
- ⑩ Install Interior Glazing Gaskets.
- ⑪ Center glass.



INSTALL POCKET FILLER AND TRIM

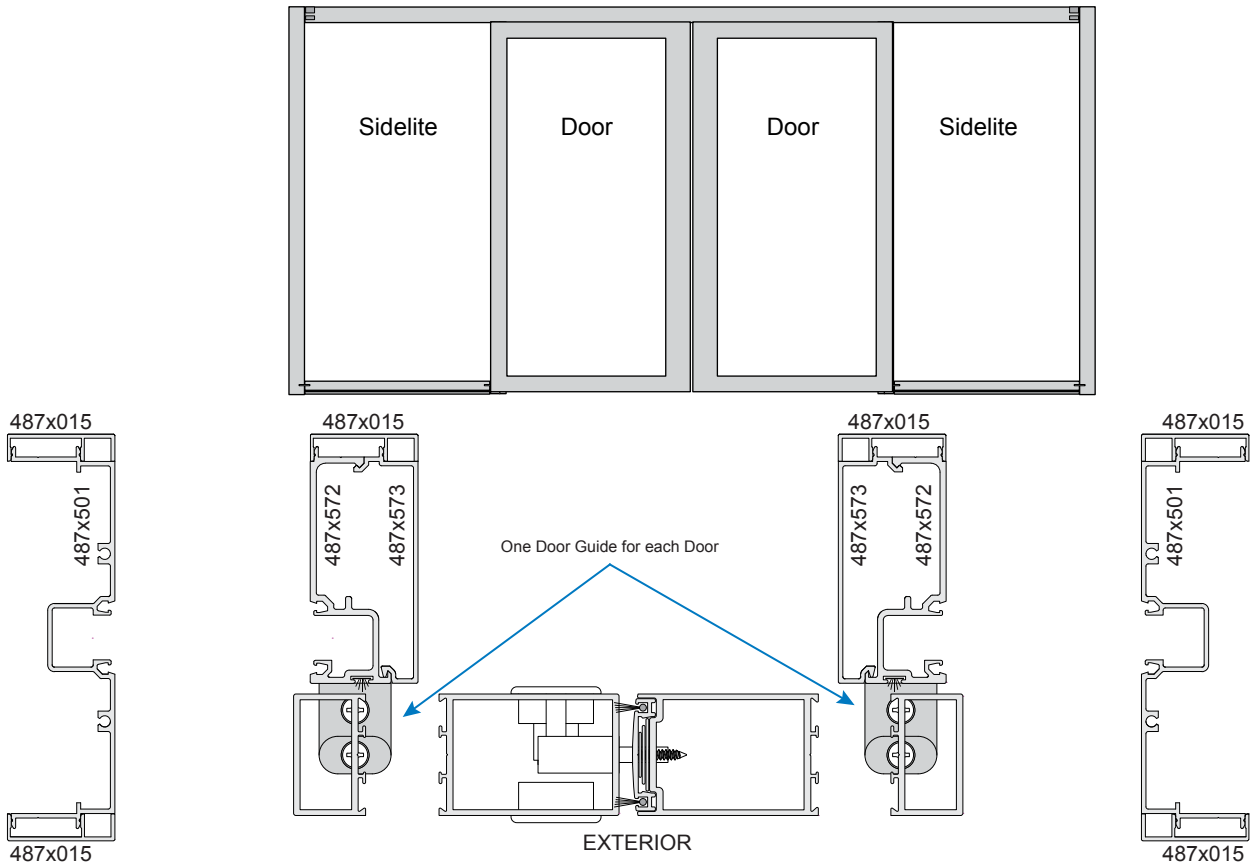


Proceed to Page 34 for Final Adjustments.

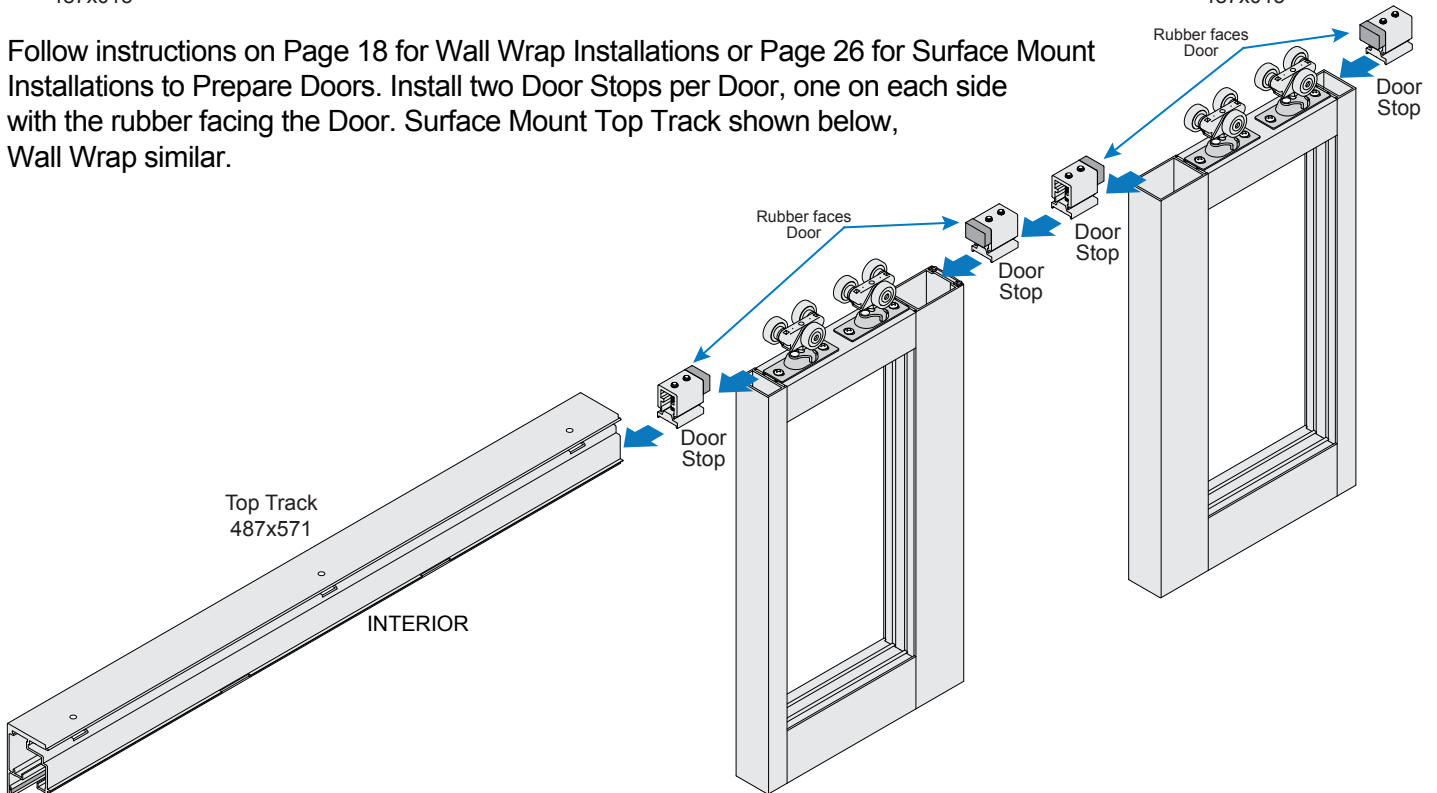
DOUBLE DOOR WITH SIDELITES INSTALLATION

Refer to Wall Wrap and Surface Mount Installation Instructions to select and install correct Main Header and Top Track. Use one Door Guide and two Door Stops for each Door.

NOTE: 487x576 Strike and 487x509 Door Jamb are not used with Double Door with Sidelite Installations.

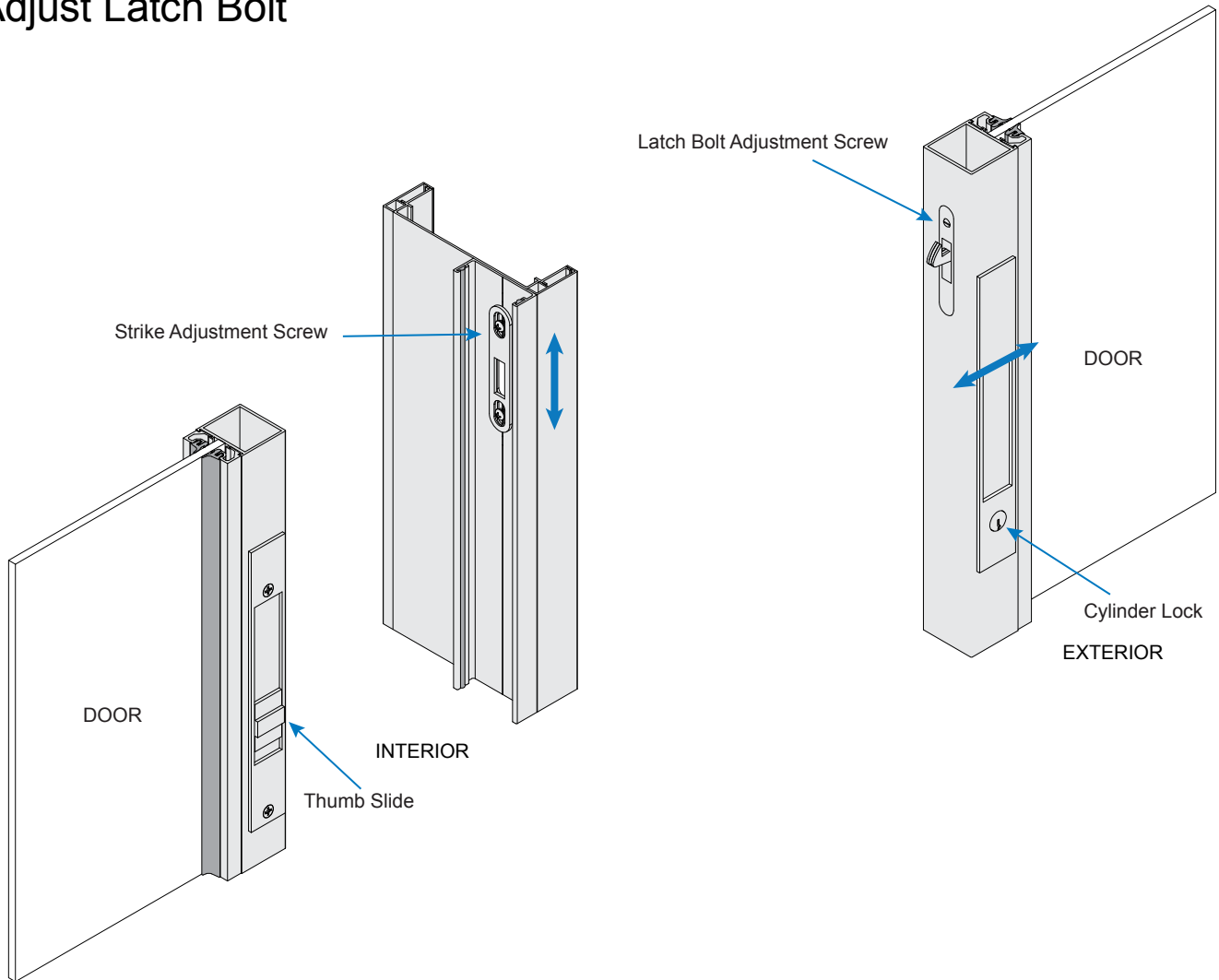


Follow instructions on Page 18 for Wall Wrap Installations or Page 26 for Surface Mount Installations to Prepare Doors. Install two Door Stops per Door, one on each side with the rubber facing the Door. Surface Mount Top Track shown below, Wall Wrap similar.

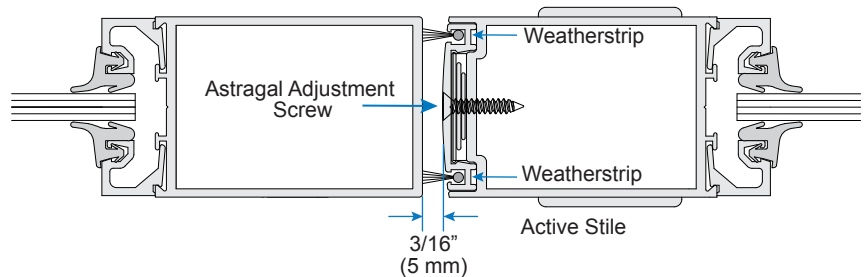
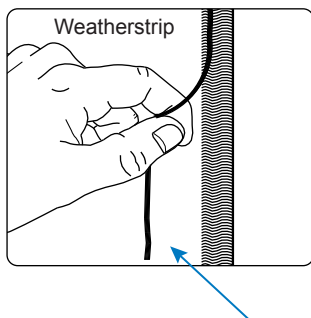


FINAL ADJUSTMENTS

Adjust Latch Bolt



Adjust Astragal for Double Doors



After doors are installed, pull string to release Weatherstrip pile.