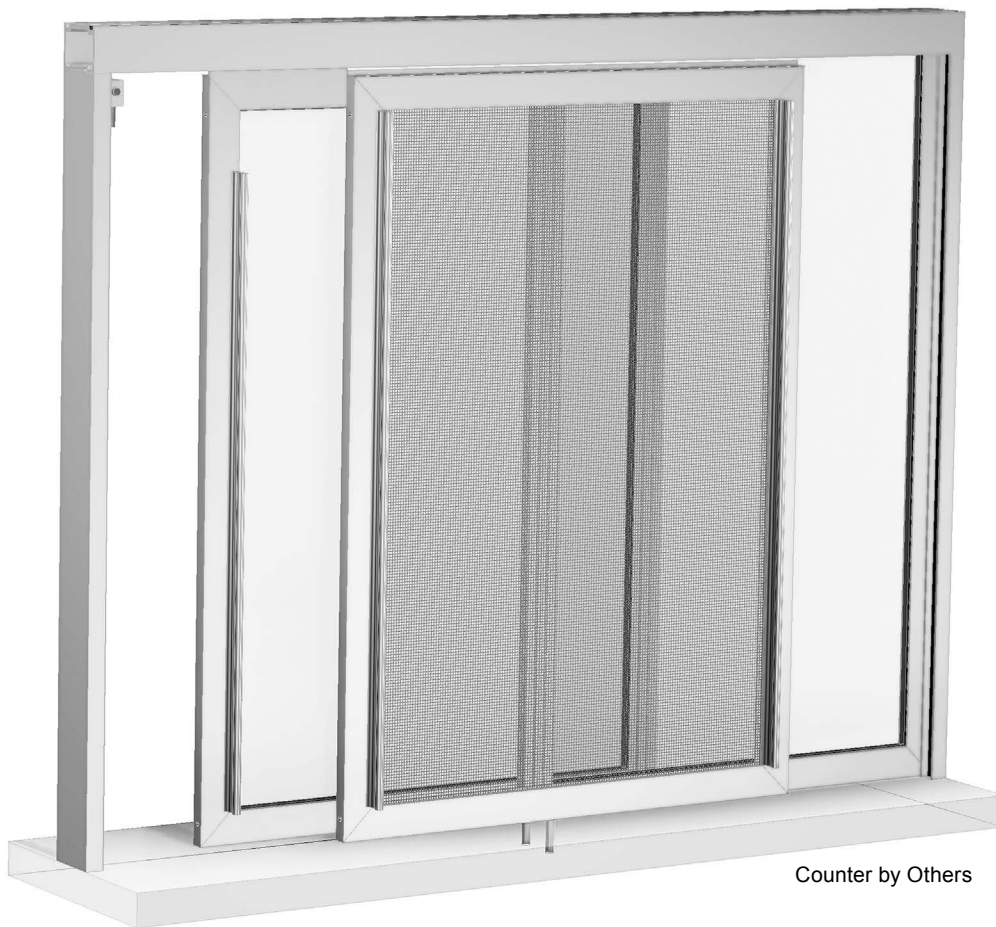


INSTALLATION INSTRUCTIONS

MODELS D1018 AND D1019 FLORENCE MODEL PASS-THRU WITH SCREEN



Counter by Others



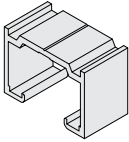
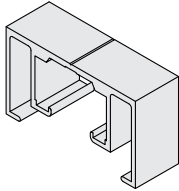

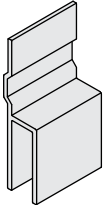
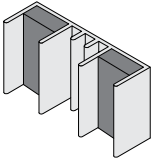
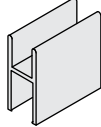
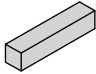
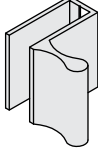
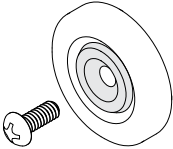
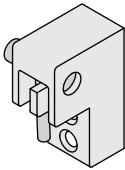
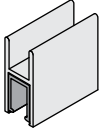
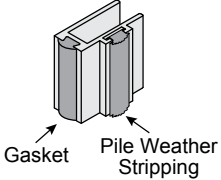
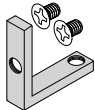
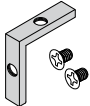
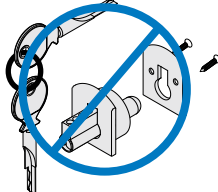



2503 E. Vernon Avenue, Los Angeles, CA 90058-1826
Phone: (800) 421-6144 Fax: (800) 262-3299
crlaurence.com Email: transaction@crlaurence.com

11M0226

PARTS LIST

NOTE: Counter by Others

<p>D1018</p>  <p>Florence with Screen and D7 Overhead Track</p>		<p>D1019</p>  <p>Florence with Screen and D1670 Overhead Track</p>	
<p>D7</p>  <p>Overhead Track (D1018 Models)</p>	<p>D1670</p>  <p>Oversized Overhead Track (D1019 Models)</p>	<p>D35</p>  <p>Retractable Tip Lower Guide</p>	<p>D40</p>  <p>Sliding Panel Hanger</p>
<p>D1606</p>  <p>Double Jamb with Cushions</p>	<p>D610</p>  <p>H-Bar</p>	<p>D637</p>  <p>Mill Bar Stock</p>	<p>D639</p>  <p>Vertical Stile Pull</p>
<p>D679</p>  <p>Nylon Ball Bearing Roller</p>	<p>D53</p>  <p>Reversible Overhead Catch</p>	<p>D1611</p>  <p>H-Bar with Plastic Liner</p>	<p>D1623</p>  <p>Gasket Pile Weather Stripping</p> <p>Overlap Stile with Pile and Gasket</p>
<p>D658WS</p>  <p>Lower Frame Corner with Nylok Screws</p>	<p>D662WS</p>  <p>Upper Frame Corner with Nylok Screws</p>	 <p>Keyed Lock Not Available for Models with Screens</p>	 <p>Not Included : Fasteners for Perimeter Frame</p>

ORDER OF ASSEMBLY AND INSTALLATION

PARTS LIST	2
SPECIFICATIONS	3
GLASS FABRICATION	4
GLASS PREPARATION	4
SLIDING WINDOW ASSEMBLY	5
Fit Top Rail on Glass and Loosely Attach Side Rails	5
Loosely Attach Bottom Rail to Side Rails	5
Square Frame and Secure	5
FIXED WINDOW ASSEMBLY	6
SCREEN ASSEMBLY	7
INSTALLATION	8 - 11
Install Overhead Track	8
Hang Sliding Window and Sliding Screen	8
Install Retractable Guides	9
Install Jambs	9
Install Fixed Window	10
Install D53 Catch	11

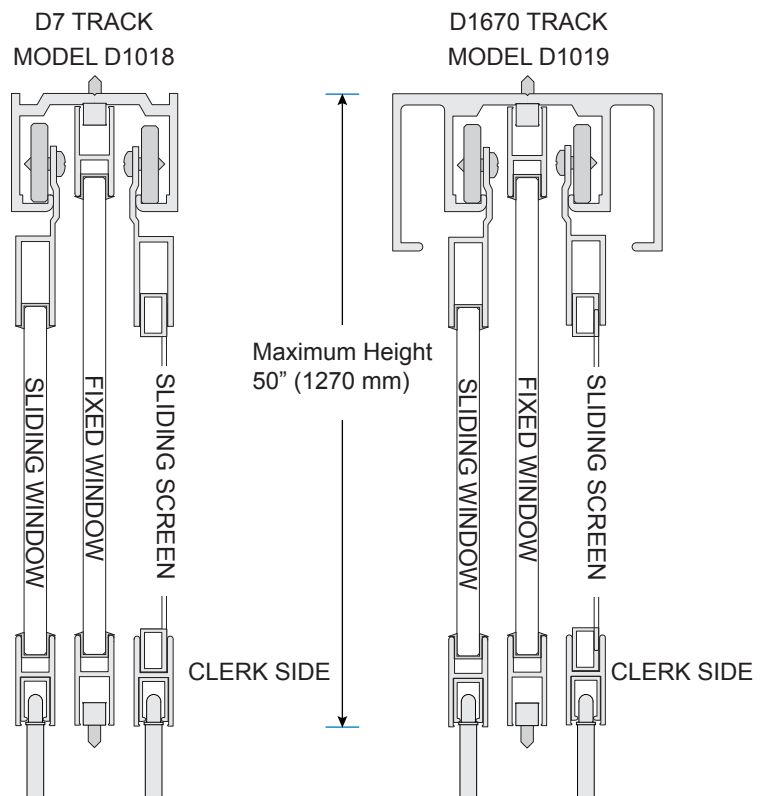
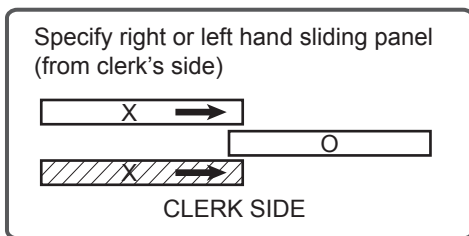
IMPORTANT: READ THIS MANUAL THOROUGHLY BEFORE BEGINNING INSTALLATION.

Contact the CRL Transaction Hardware Department at (800) 421-6144 EXT. 7760 or email transaction@crlaurence.com for questions.

SPECIFICATIONS

Model D1018 is shown in these instructions.

NOTE: Model D1019 is designed to match storefront subframe.



GLASS FABRICATION

Fixed Glass Width = Window Width divided by 2 minus 1" (25 mm)

Fixed Glass Height = Window Height minus 1-11/16" (43 mm)

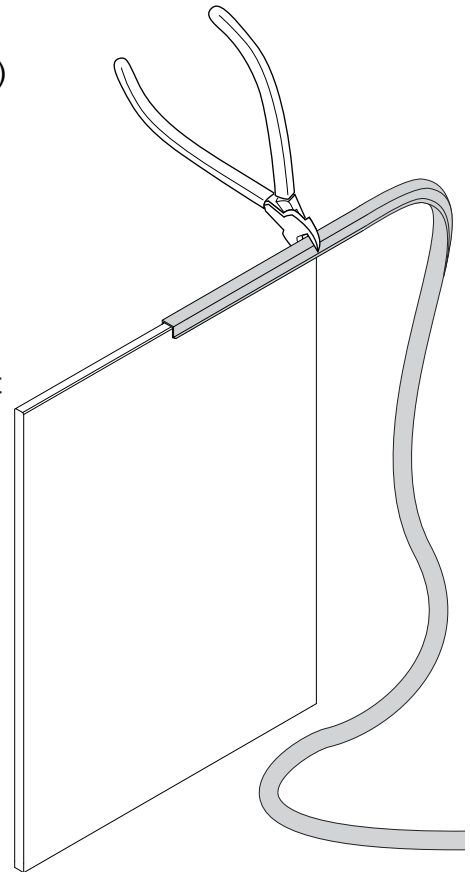
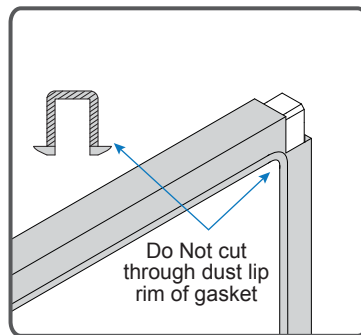
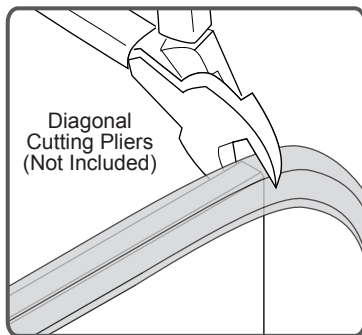
Sliding Glass Width = Window Width divided by 2 minus 1-1/4" (32 mm)

Sliding Glass Height = Window Height minus 3-3/16" (81 mm)

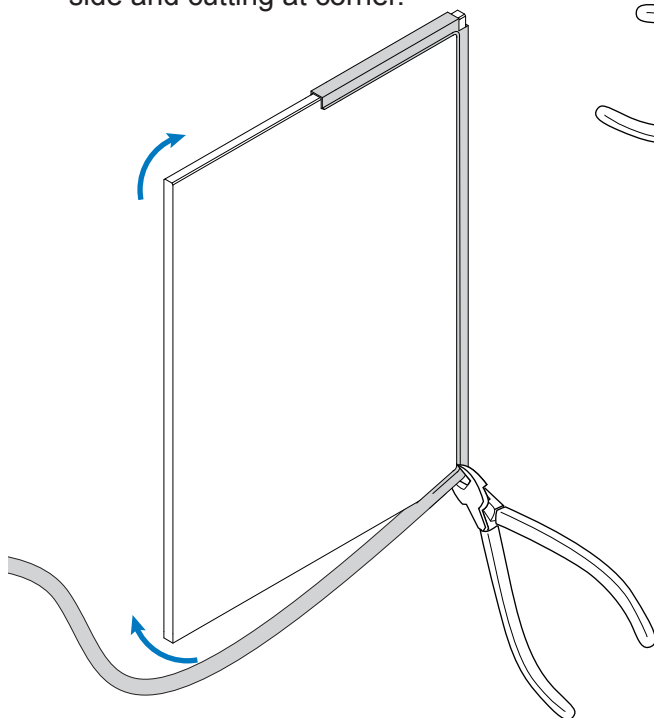
GLASS PREPARATION

Install Gasket on Glass

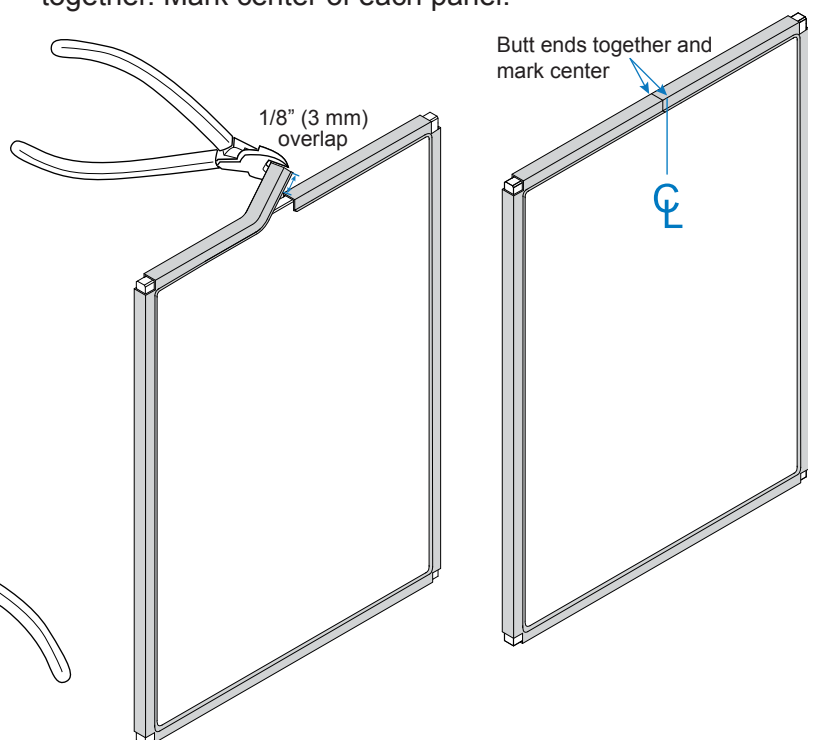
- Ⓐ Fit gasket onto glass at center of the side that will become the top. Smooth to corner and cut a slit through the base of gasket. Do Not cut all the way through to dust lip rims.



- Ⓑ Continue working gasket around edges, smoothing along each side and cutting at corner.



- Ⓒ Overlap ends at top and cut 1/8" (3 mm) excess. Butt ends together. Mark center of each panel.

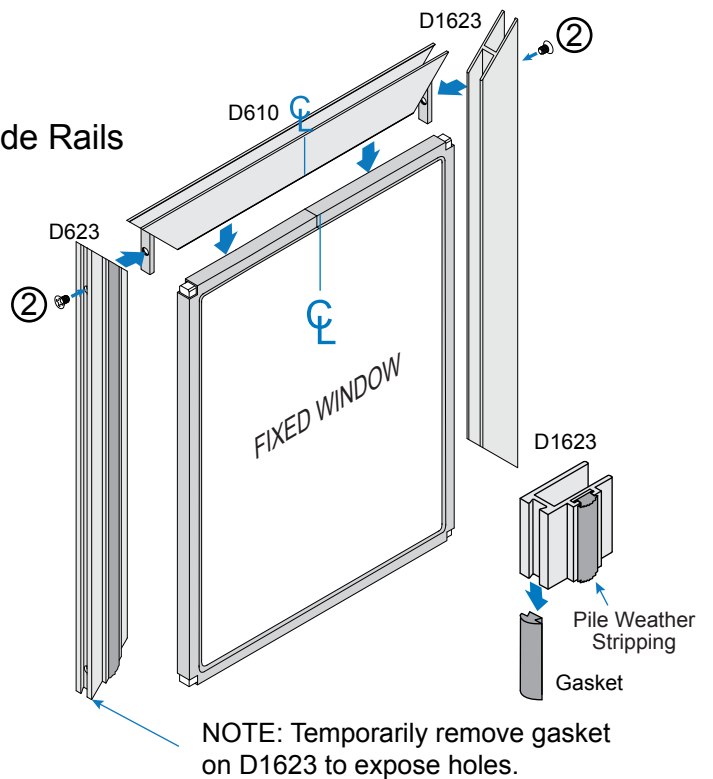
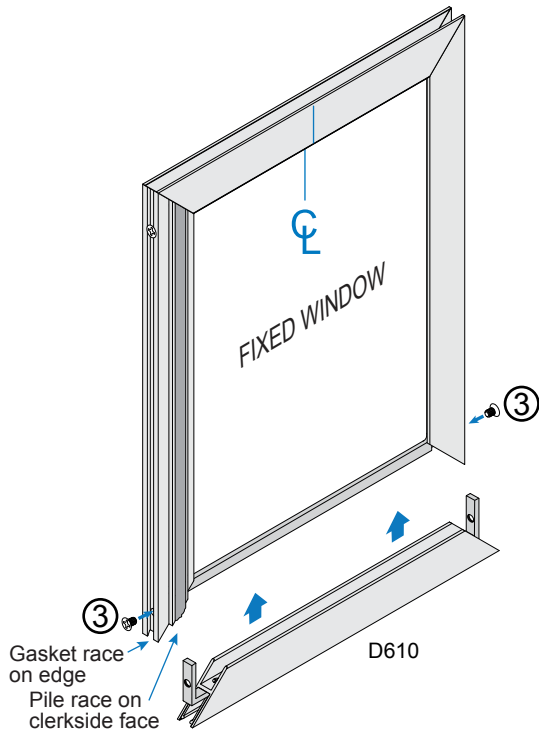


FIXED WINDOW ASSEMBLY

1. Install Gasket on Glass (See Page 4)
2. Fit Top Rail on Glass and Loosely Attach Side Rails

NOTE: Match the color-coded dots on the corners of the rails.

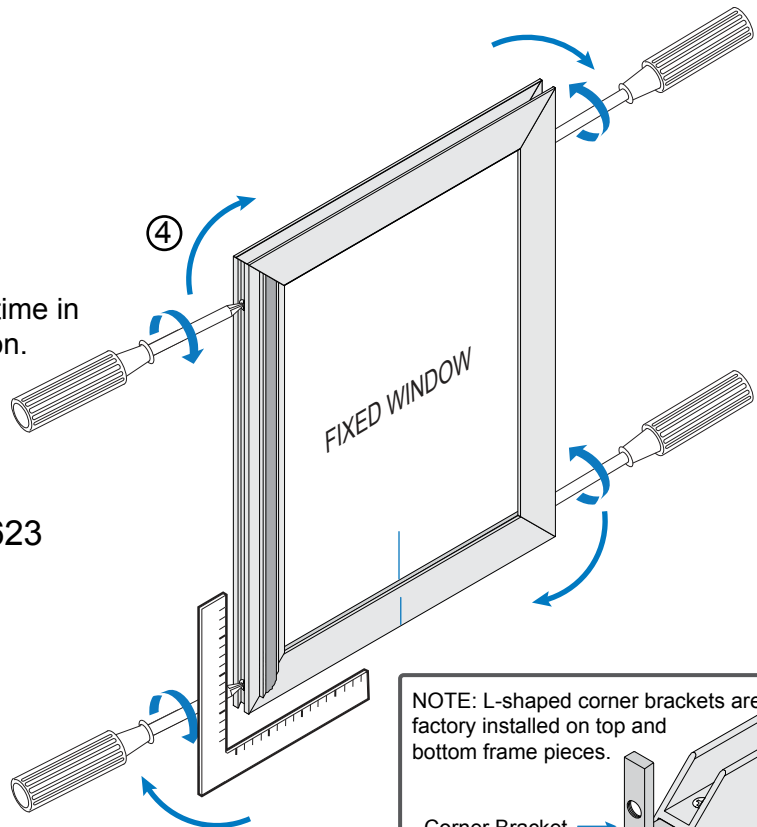
3. Loosely Attach Bottom Rail to Side Rails



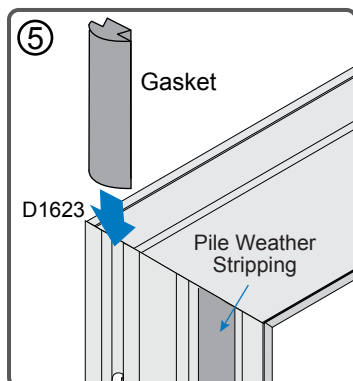
4. Square Frame and Secure

IMPORTANT: Tighten each corner a little at a time in rotating sequence, maintaining square condition.

Do Not completely tighten any corner until all of the other three corners are almost completely tightened.



5. Replace Gasket in outer edge of D1623

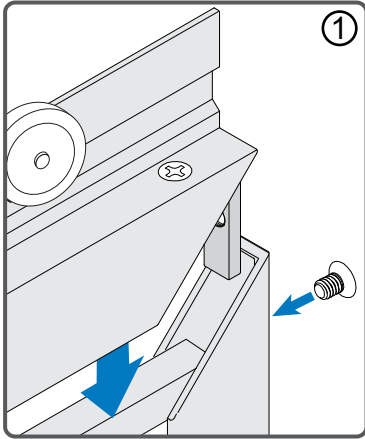


NOTE: Assemble one fixed window.

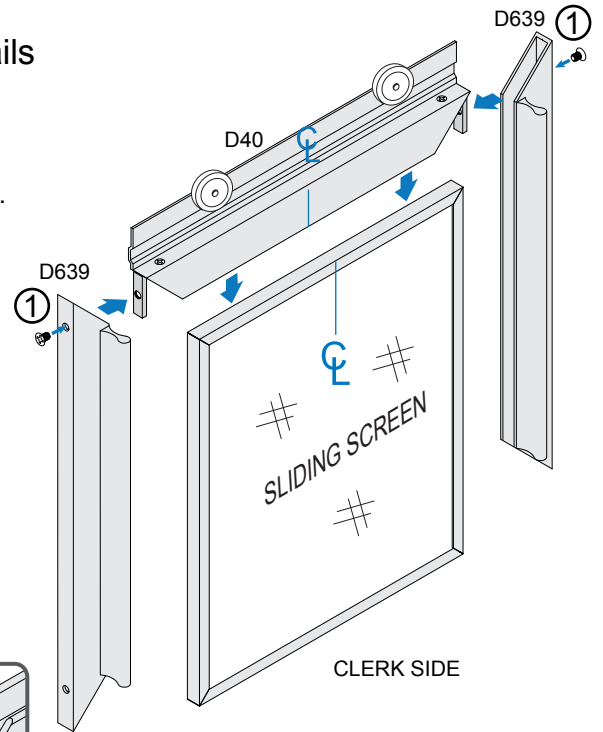
SCREEN ASSEMBLY

1. Fit Top Rail on Screen and Loosely Attach Side Rails

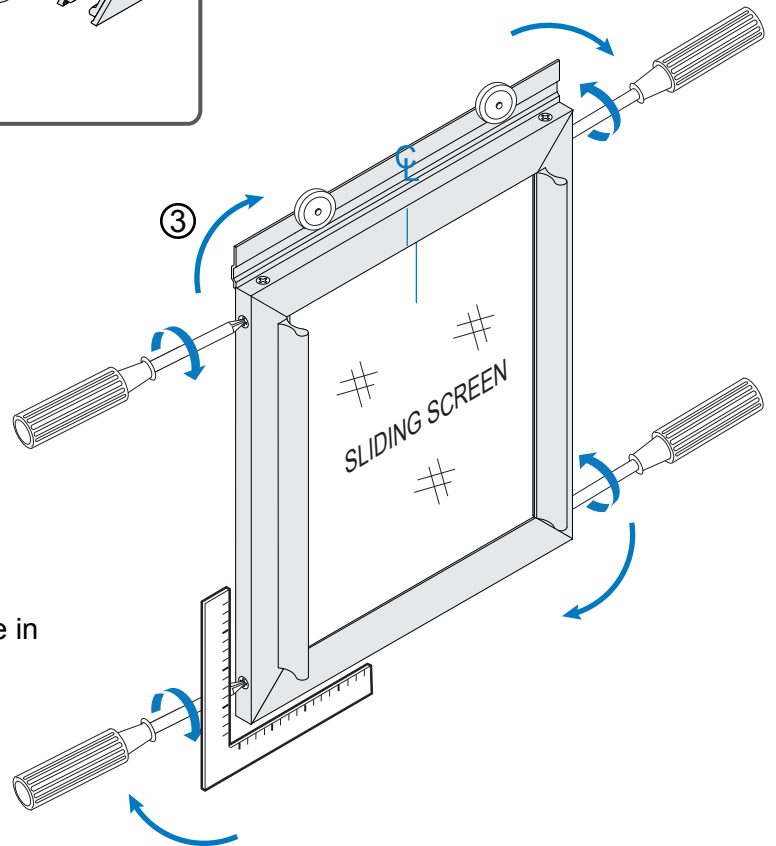
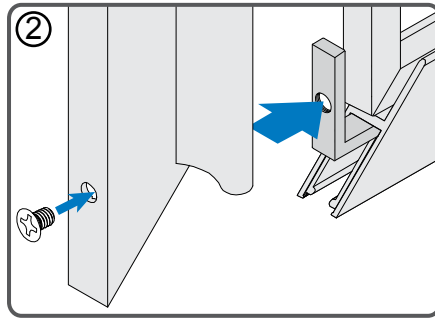
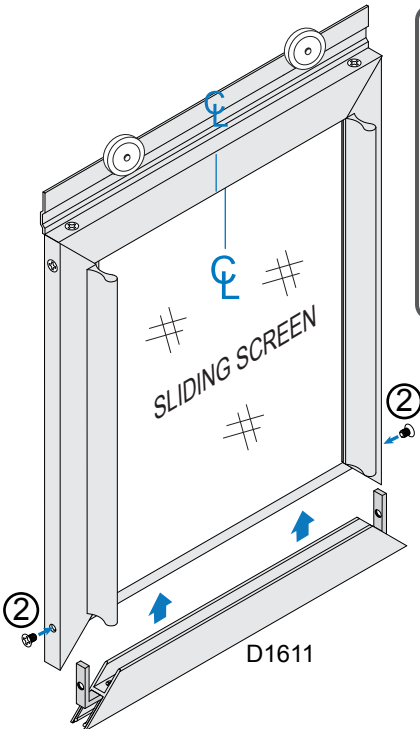
Match Center Marks on Top Rail and screen.



NOTE: Match the color-coded dots on the corners of the rails.



2. Loosely Attach Bottom Rail to Side Rails



3. Square Frames and Secure

IMPORTANT: Tighten each corner a little at a time in rotating sequence, maintaining square condition.

Do Not completely tighten any corner until all of the other three corners are almost completely tightened.

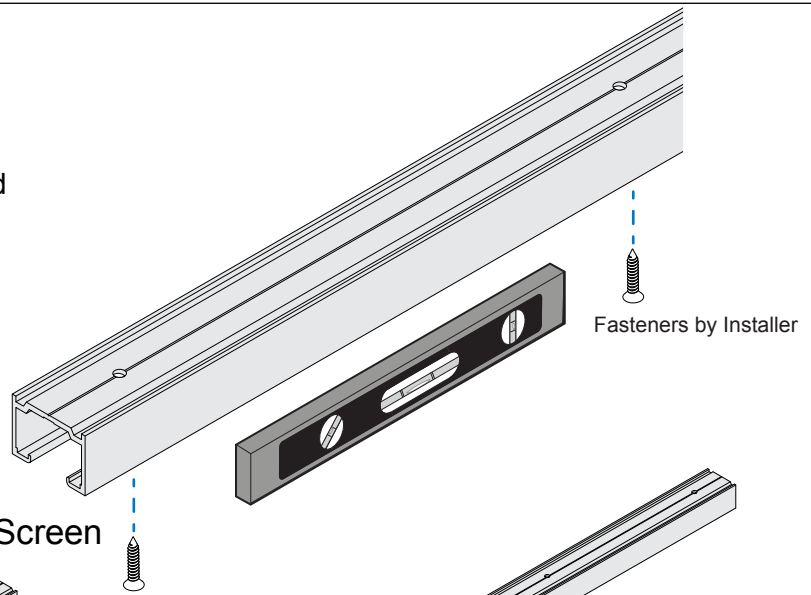
NOTE: Assemble one sliding screen.

INSTALLATION

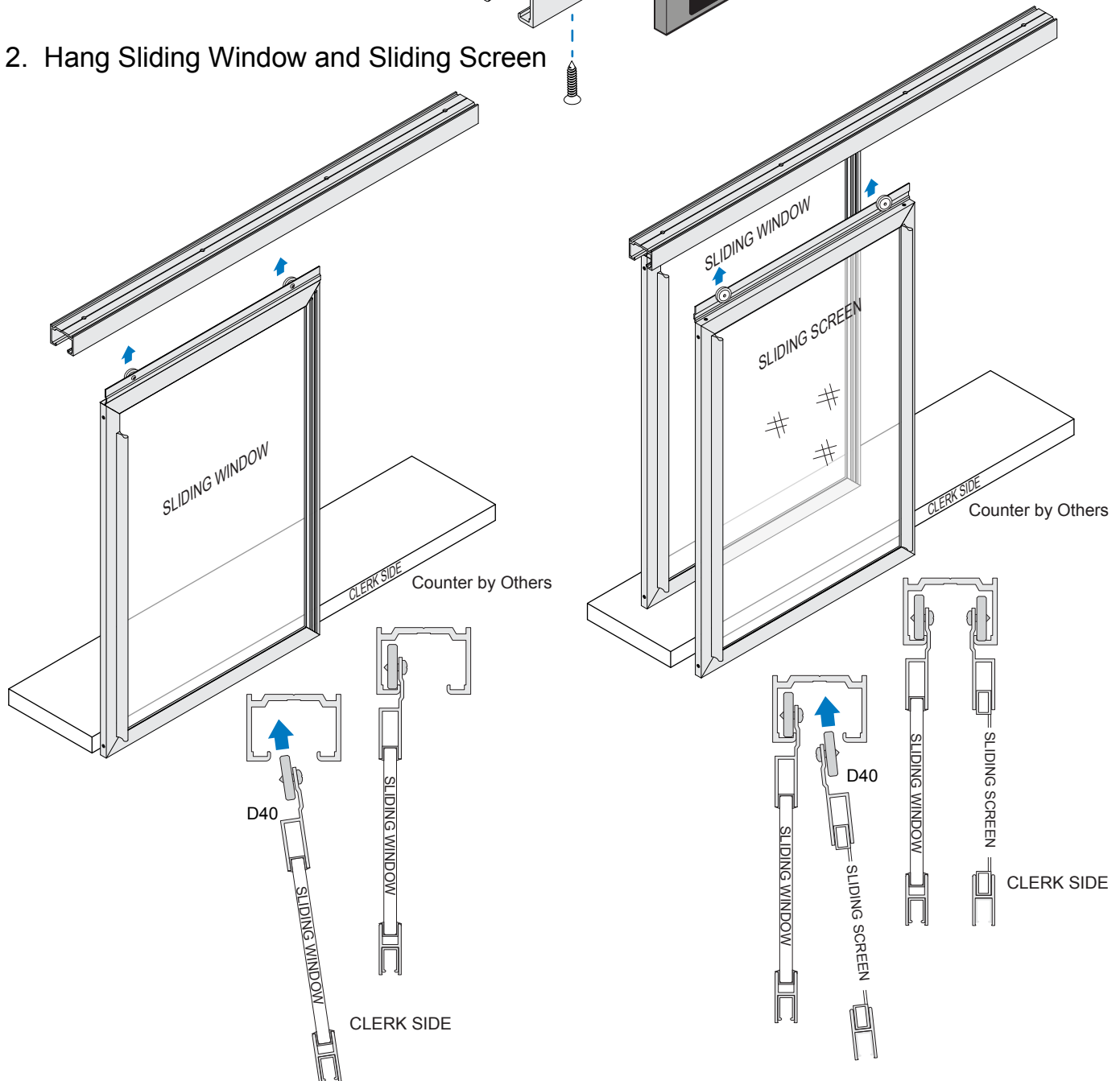
1. Install Overhead Track

Use a level and shims to install overhead track correctly in opening.

NOTE: Use fasteners appropriate for the surrounding substrate. Fasteners are not included in kit.

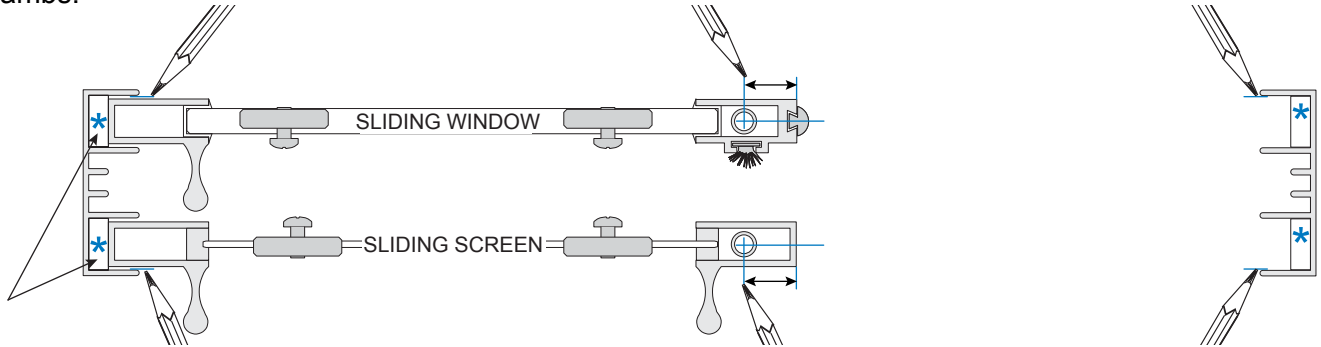


2. Hang Sliding Window and Sliding Screen



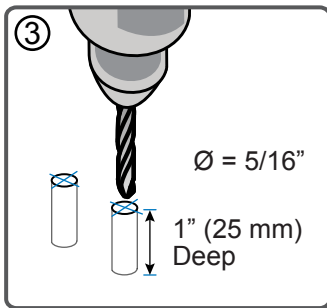
INSTALLATION (CONTINUED)

With the windows in closed position, mark placement for retractable guides. Move the windows to the open position to mark placement for the jambs. Remove the sliding windows before installing retractable guides and jambs.

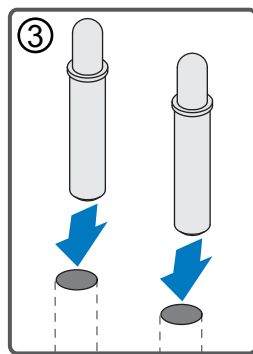


* Temporarily place Rubber Insert into Jamb to mark Guide placement.
Remove to install Jamb. Do Not remove backing until Jambs are secured.

3. Install Retractable Guides

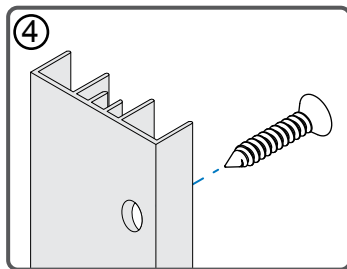


Drill 1" (25 mm) depth hole with 5/16" drill bit.

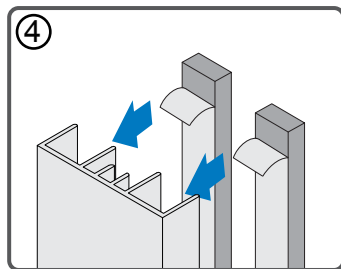


Insert a guide in each hole.

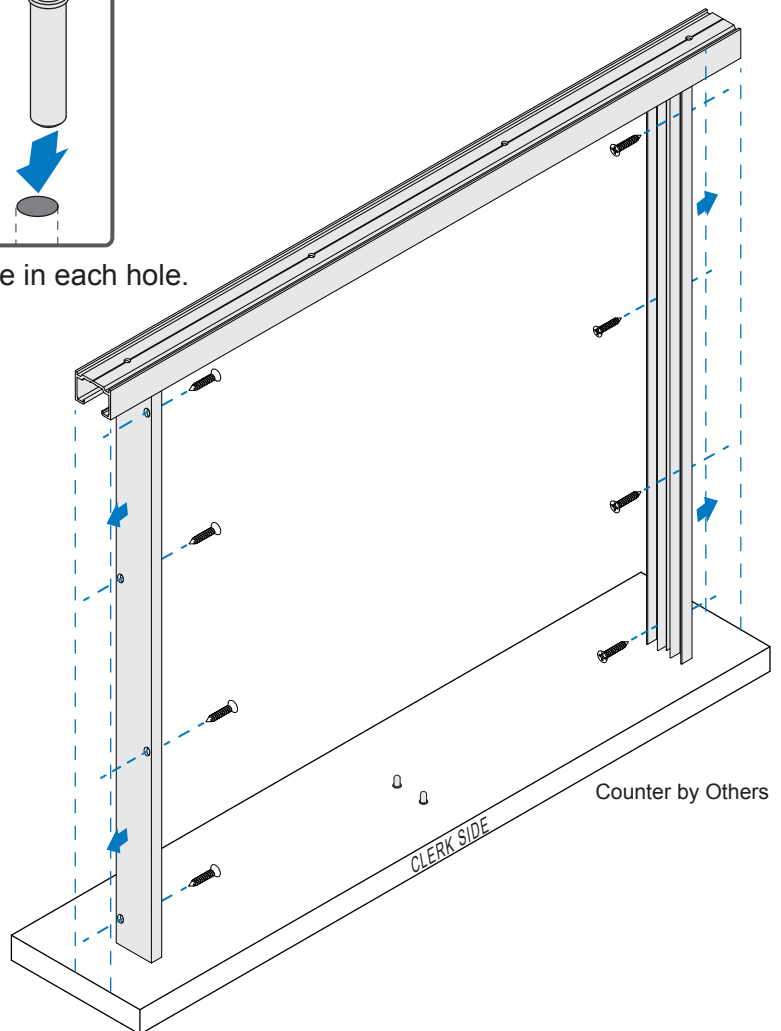
4. Install Jambs



Secure using fasteners appropriate for the surrounding substrate.



Remove backing and install rubber inserts.

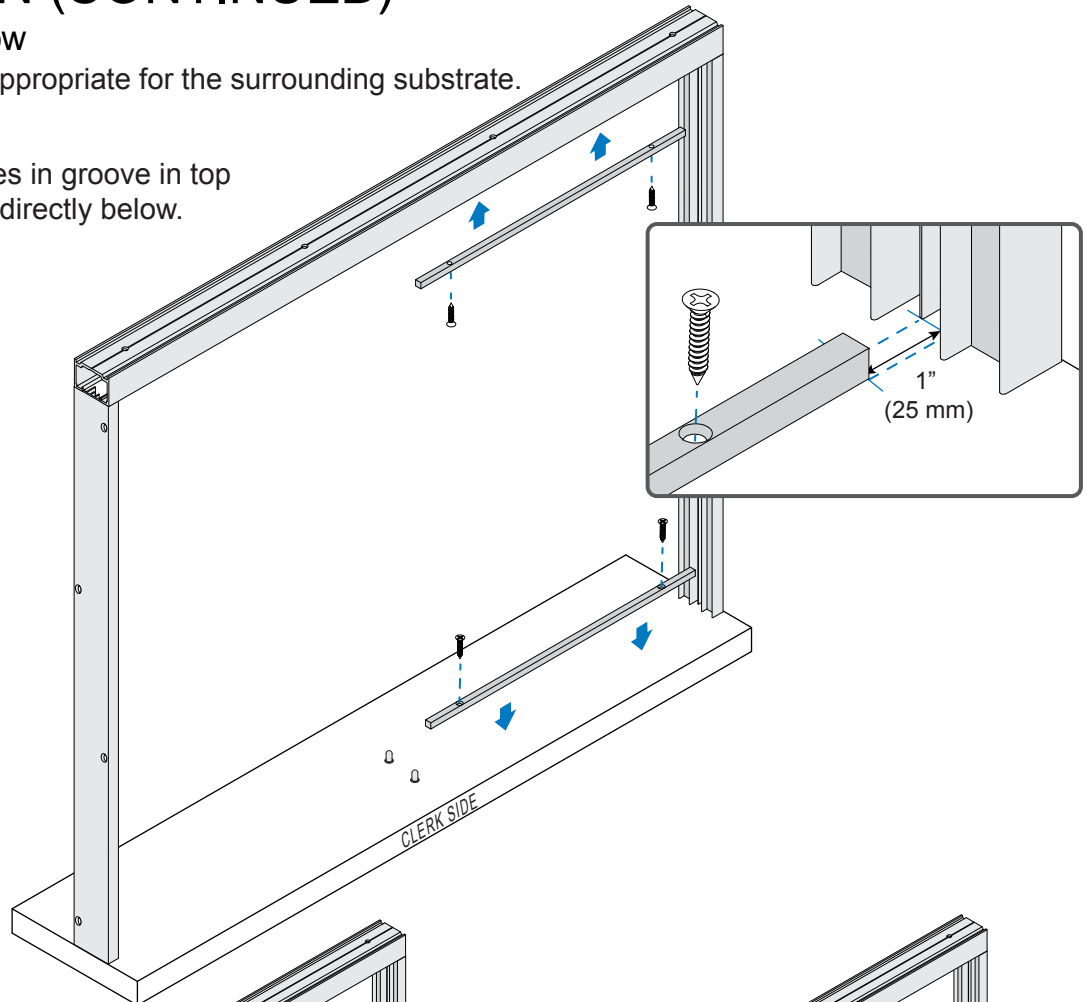


INSTALLATION (CONTINUED)

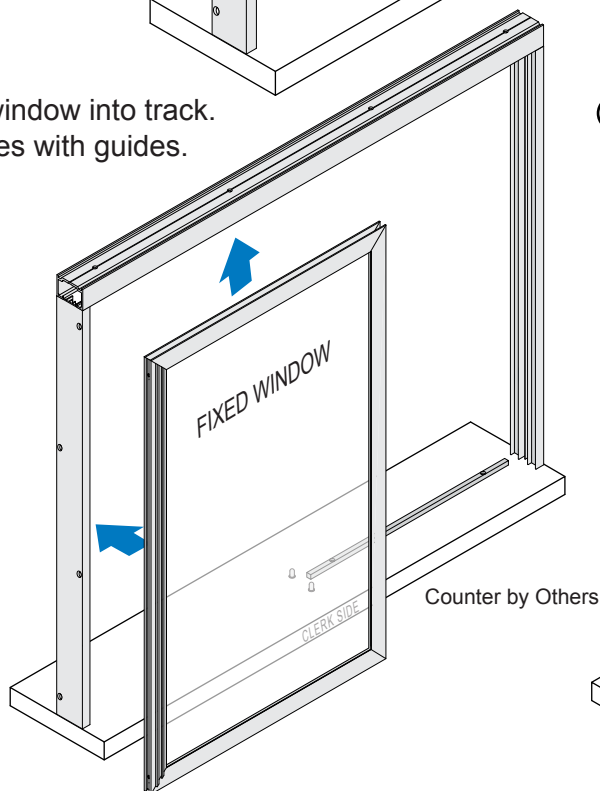
5. Install Fixed Window

NOTE: Use fasteners appropriate for the surrounding substrate.
Fasteners not included.

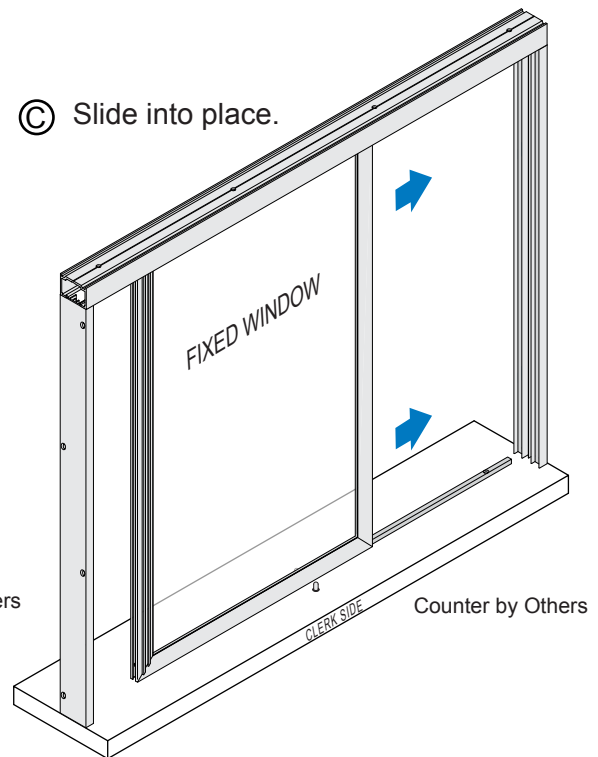
- Ⓐ Install bar stock guides in groove in top track and on counter directly below.



- Ⓑ Fit fixed window into track. Align edges with guides.



- Ⓒ Slide into place.

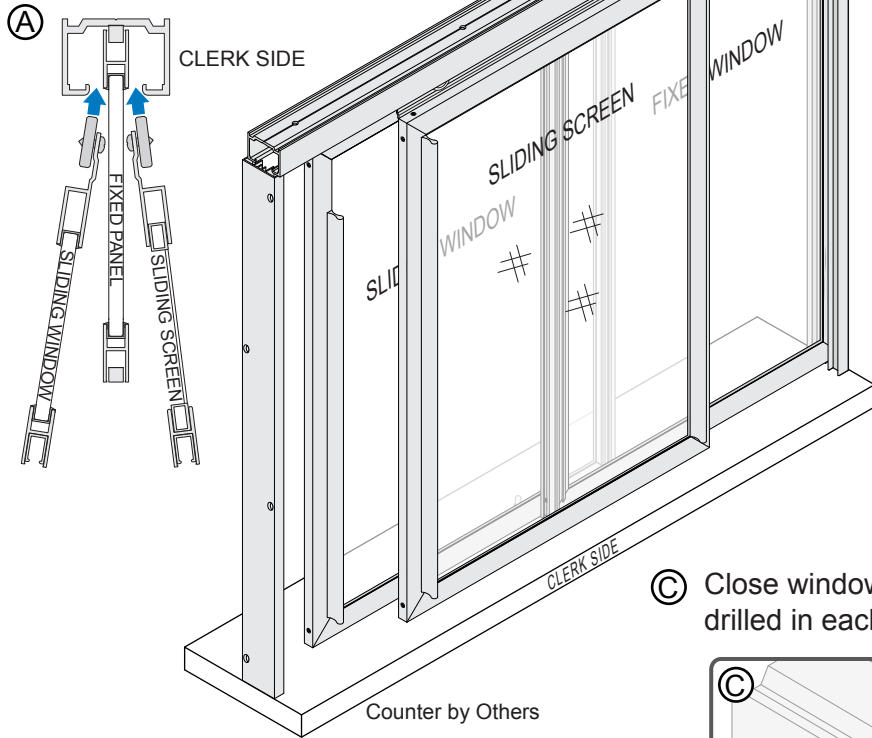


NOTE: If fixed panel is too loose, apply silicone sealant to top of lower bar stock.

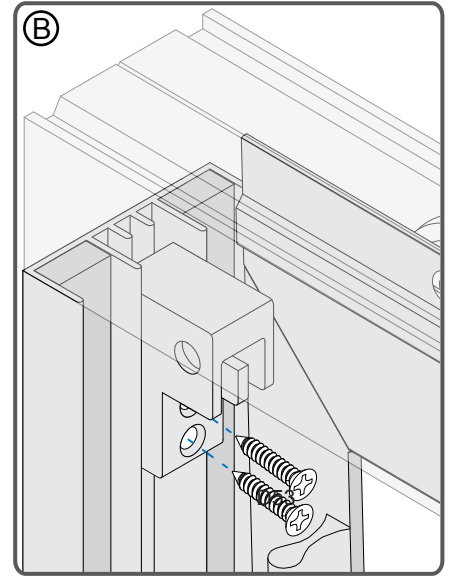
INSTALLATION (CONTINUED)

6. Install D53 Catch

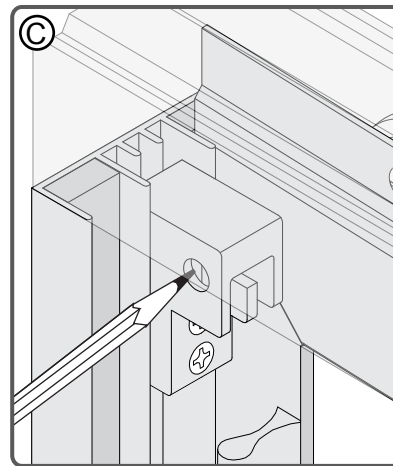
(A) Hang Sliding Windows and Screens. Place the D53 Catch Base in center Jamb and align with top of Sliding Window.



(B) Secure using fasteners appropriate for the surrounding substrate. Fasteners not included.

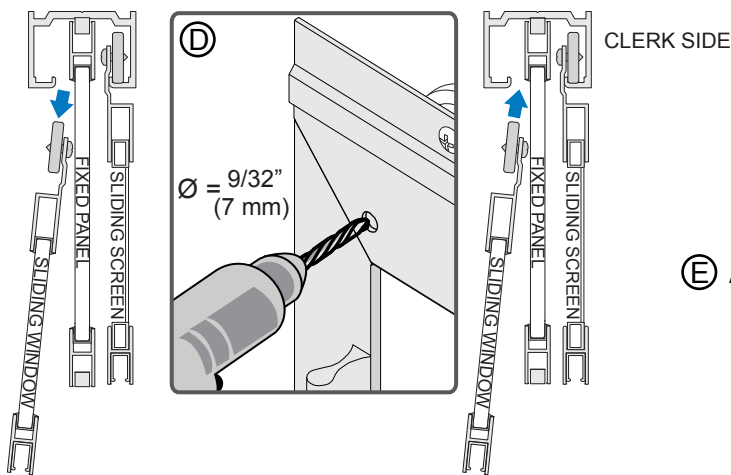


(C) Close windows to mark plunger hole location to be drilled in each Sliding Window.



NOTE: D53 Catch is R/L reversible.

(D) Remove windows to drill 9/32" (7 mm) diameter hole, and then reinstall.



(E) Assemble D53 Catch and close window to check.

