

INSTALLATION INSTRUCTIONS

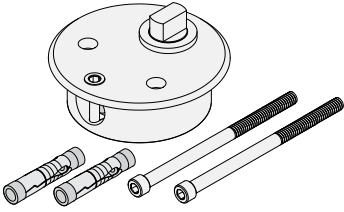
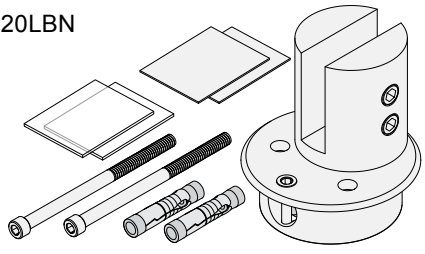
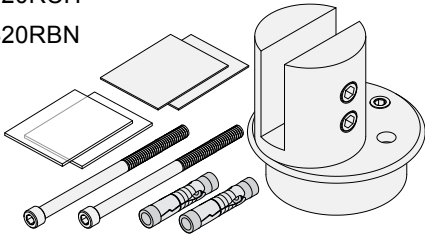
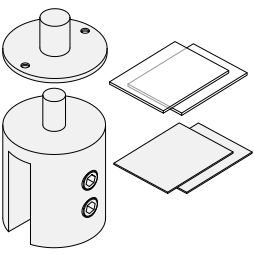
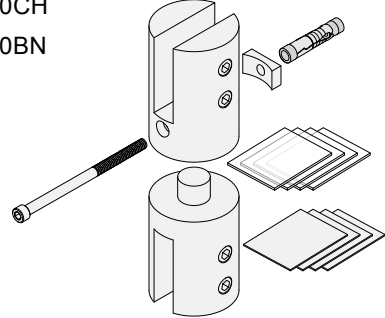
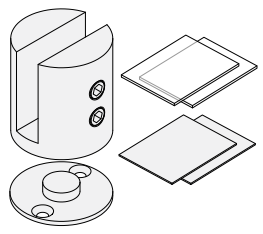
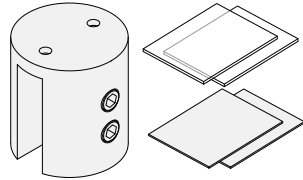
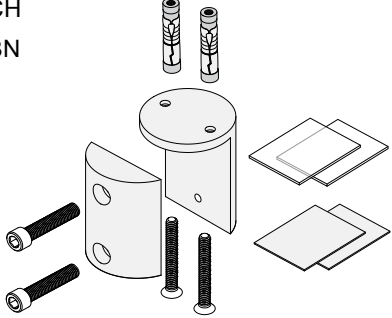
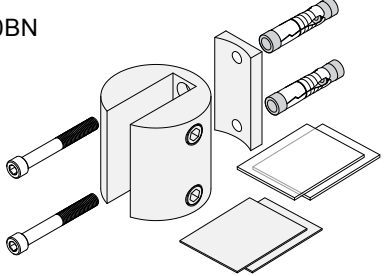
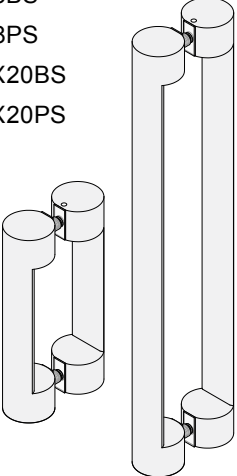
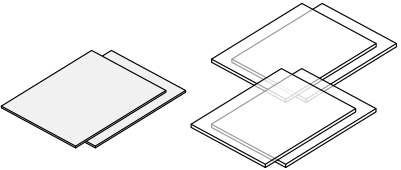
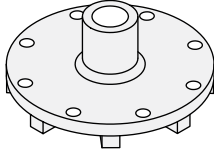
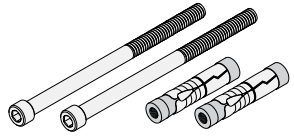
CRL BERETTA SERIES PATCH FITTING SYSTEM



Phone: (800) 421-6144 • Fax: (800) 587-7501
crlaurence.com • usalum.com • crl-arch.com

CRL BERETTA SERIES PATCH FITTING SYSTEM

PARTS IDENTIFICATION

<p>BS10CH BS10BN</p>  <p>CRL Beretta Floor Closer</p>	<p>BS20LCH BS20LBN</p>  <p>CRL Beretta Closer with Door Patch, Left Handed</p>	<p>BS20RCH BS20RBN</p>  <p>CRL Beretta Closer with Door Patch, Right Handed</p>
<p>BS30CH BS30BN</p>  <p>CRL Beretta Top Door Patch with Pivot</p>	<p>BS40CH BS40BN</p>  <p>CRL Beretta Transom / Wall Mount Pivot Patch</p>	<p>BS50CH BS50BN</p>  <p>CRL Beretta Bottom Door Patch with Pivot</p>
<p>BS60CH BS60BN</p>  <p>CRL Beretta End Mount Light-Duty Fixed Panel Clamp</p>	<p>BS70CH BS70BN</p>  <p>CRL Beretta End Mount Heavy-Duty Fixed Panel Clamp</p>	<p>BS80CH BS80BN</p>  <p>CRL Beretta Wall Mount Fixed Panel Clamp</p>
<p>BS8X8BS BS8X8PS BS20X20BS BS20X20PS</p>  <p>CRL Beretta Series Pull Handles</p>	<p>BSRG1</p>  <p>CRL Replacement Gaskets and Securing Plates for Beretta Series Fittings</p>	<p>BHDD90</p>  <p>CRL 90 mm Blind Hole Diamond Drill</p>
<p>BSRA1</p>  <p>CRL Replacement Anchors for Beretta Floor Closer</p>		

ORDER OF ASSEMBLY AND INSTALLATION

PARTS IDENTIFICATION	2
SYSTEM LIMITATIONS	3
DOOR INSTALLATION	4 - 9
Glass Fabrication	4
Prepare Concrete Floor	5
Install Beretta Closer with Door Patch	6
Install Top Door Patch with Pivot	7
Install Door Glass	8 - 9
TRANSOM DOOR INSTALLATION	10 - 13
Glass Fabrication	10
Install End Mount Light-Duty Fixed Panel Clamp	11
Install Wall Mount Fixed Panel Clamps	11
Install Transom Glass	12
Install Transom Wall Mount Patch	12
Install Beretta Closer with Door Patch	13
Install Transom Door Glass	13

IMPORTANT: READ THIS MANUAL THOROUGHLY BEFORE BEGINNING INSTALLATION.

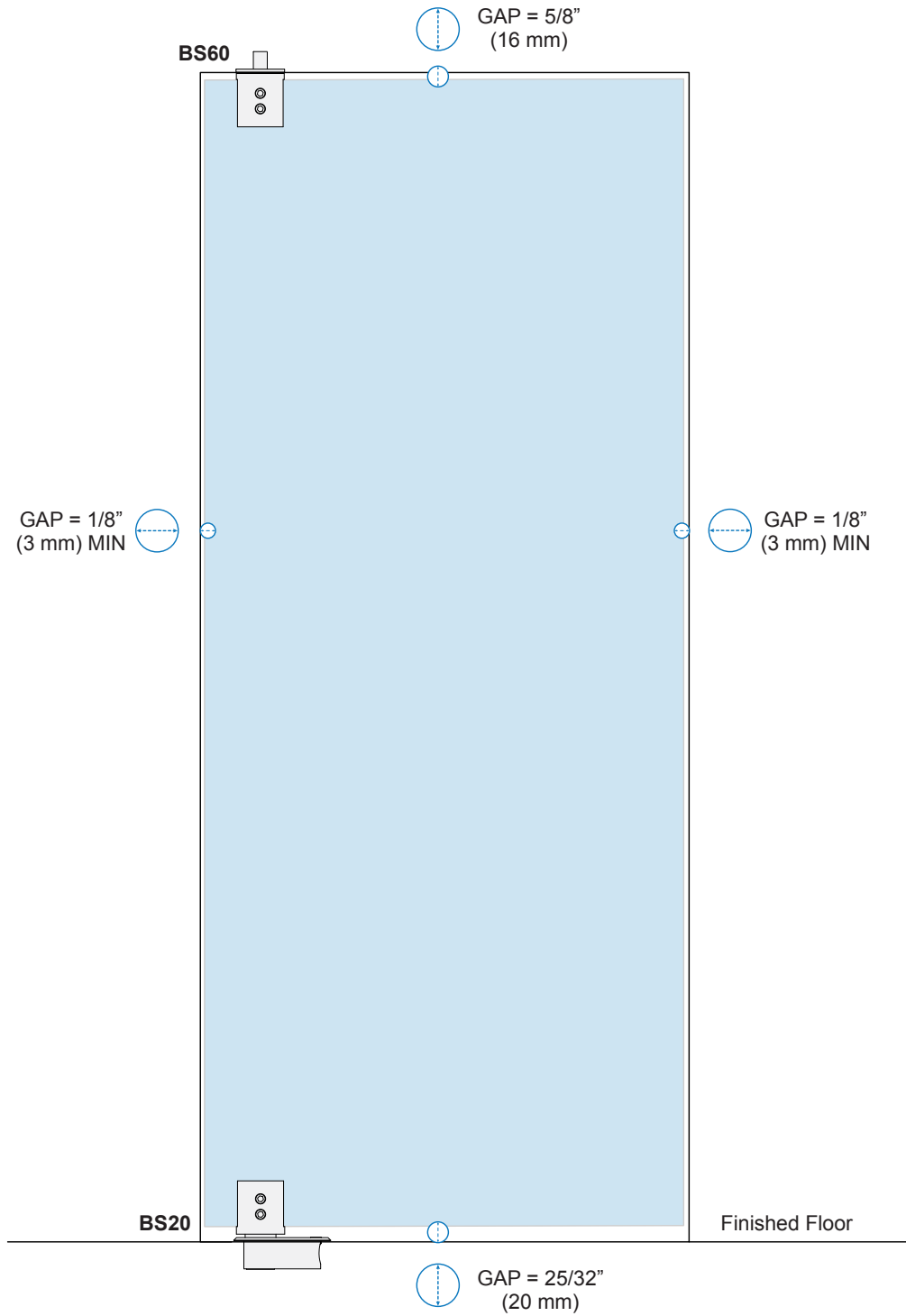
SYSTEM LIMITATIONS

For use with 3/8" to 1/2" (10 to 12 mm) Tempered Glass.

No notching required for all patches except Cat. No. BS70, CRL Beretta End Mount Heavy-Duty Fixed Panel Clamp, which requires two 5/8" (16 mm) diameter holes.

DOOR INSTALLATION

Glass Fabrication

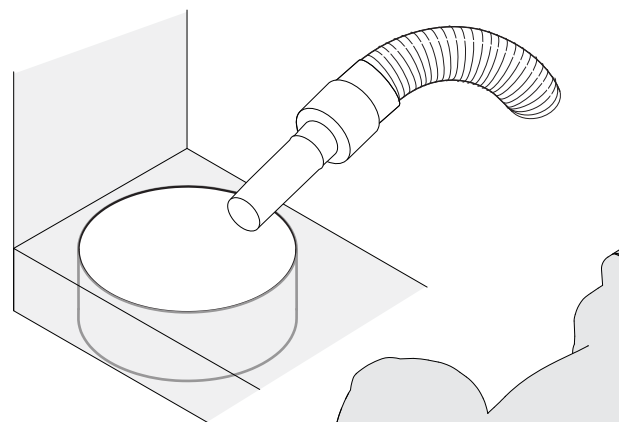
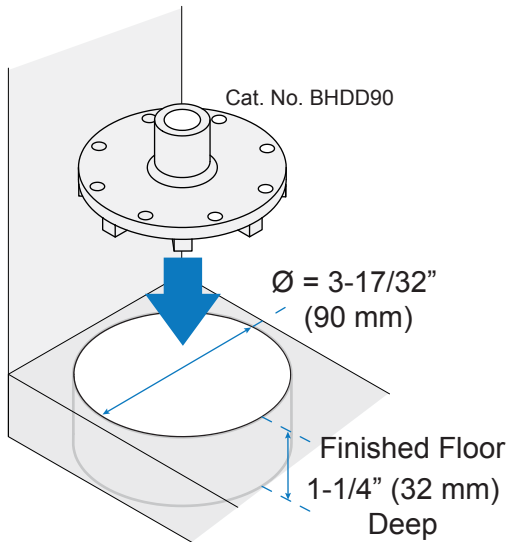
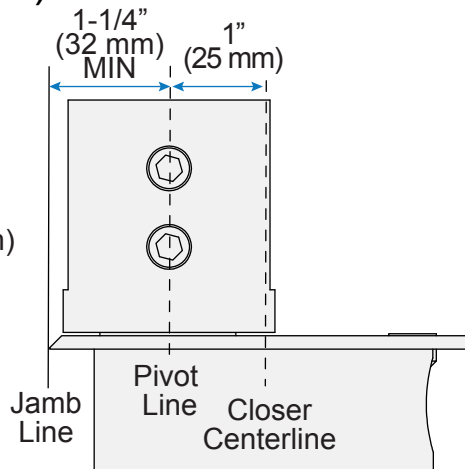


DOOR INSTALLATION (CONTINUED)

Prepare Concrete Floor

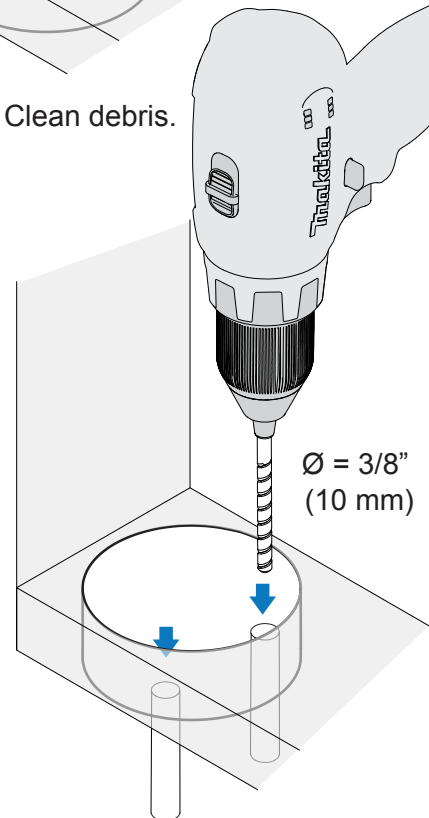
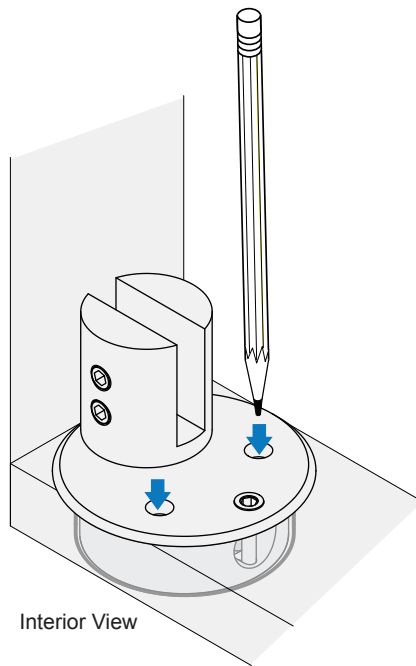
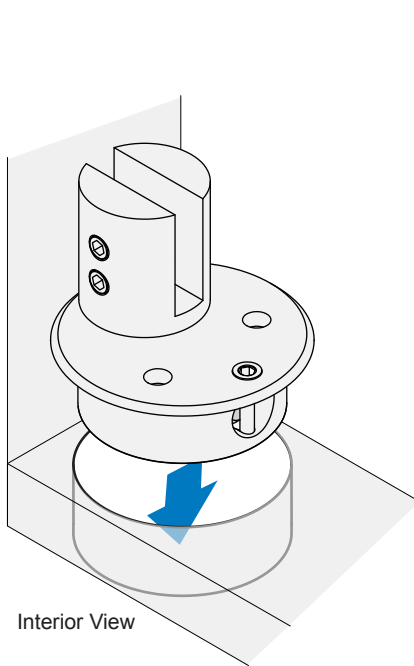
- ① Determine centerline for Closer.

Closer Centerline = Pivot Line plus 1" (25 mm)



- ② Use Cat. No. BHDD90 to bore 3-17/32" hole.

- ③ Clean debris.

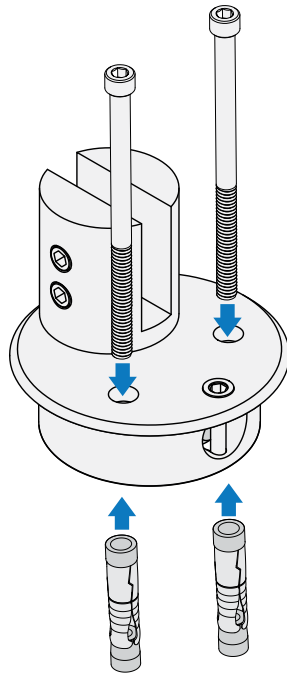


- ④ Install Closer to mark holes.

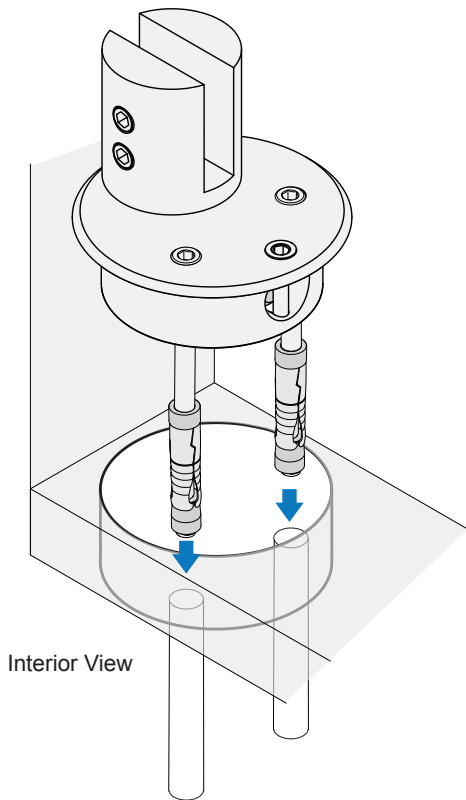
- ⑤ Remove Closer and drill holes.

DOOR INSTALLATION (CONTINUED)

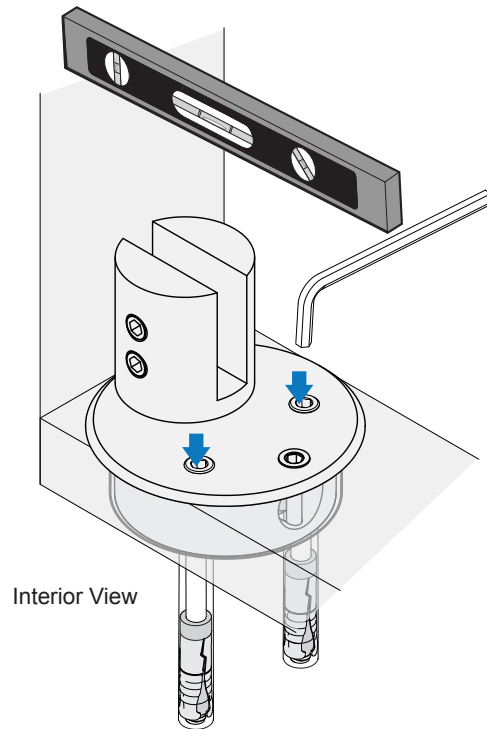
Install Beretta Closer with Door Patch



⑥ Assemble Bolts and Anchors through Closer.



⑦ Install Closer.

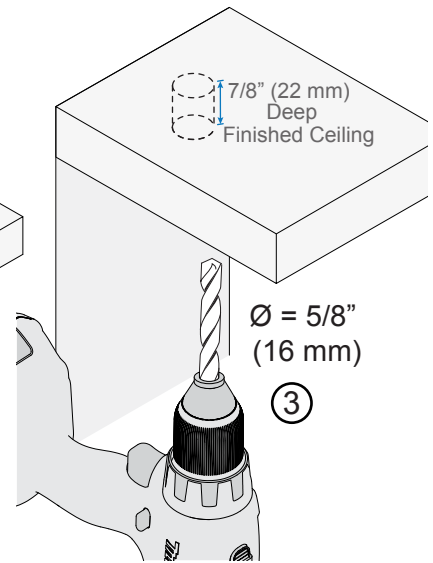
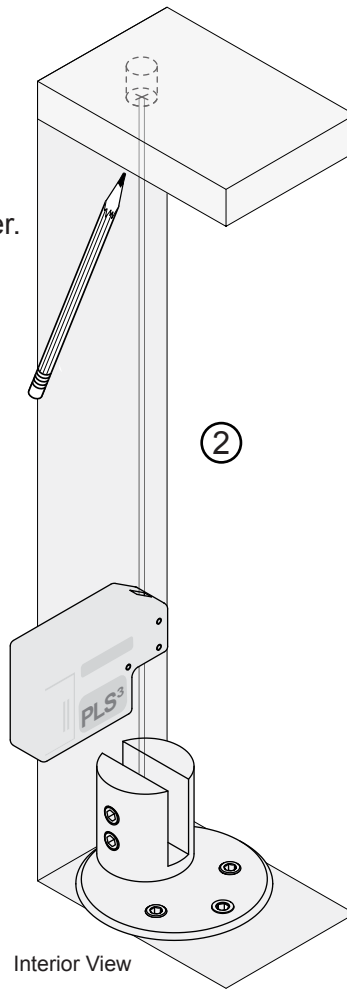
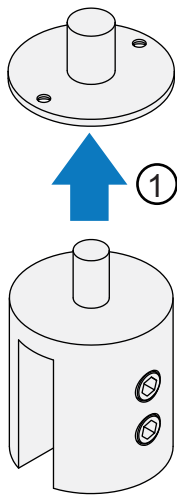


⑧ Level and secure.

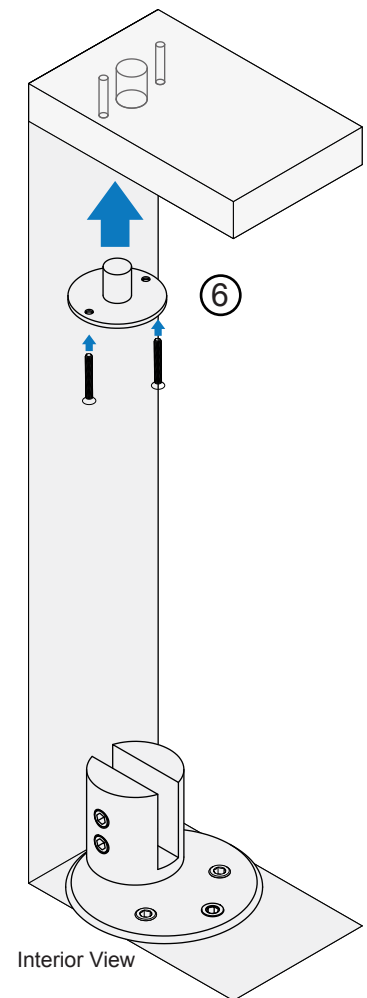
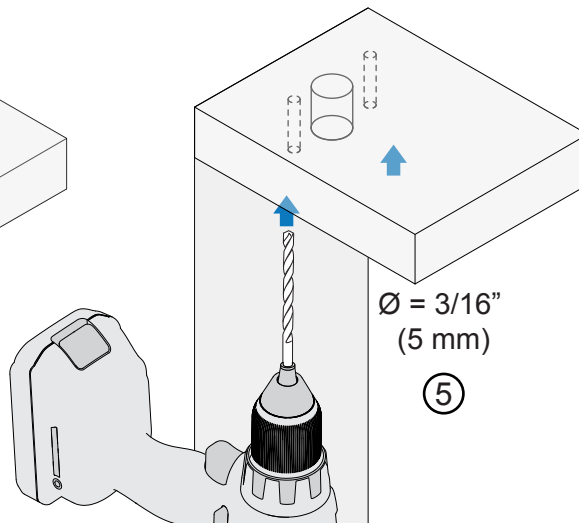
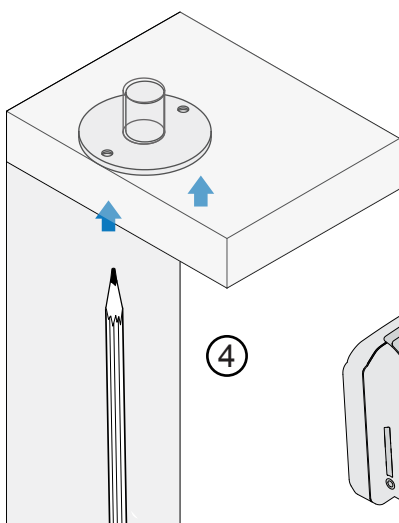
DOOR INSTALLATION (CONTINUED)

Install Top Door Patch with Pivot

- ① Separate Pivot Receiver from Top Patch.
- ② Find Pivot Point using a plumb line or laser.
- ③ Drill one 5/8" (16 mm) hole.

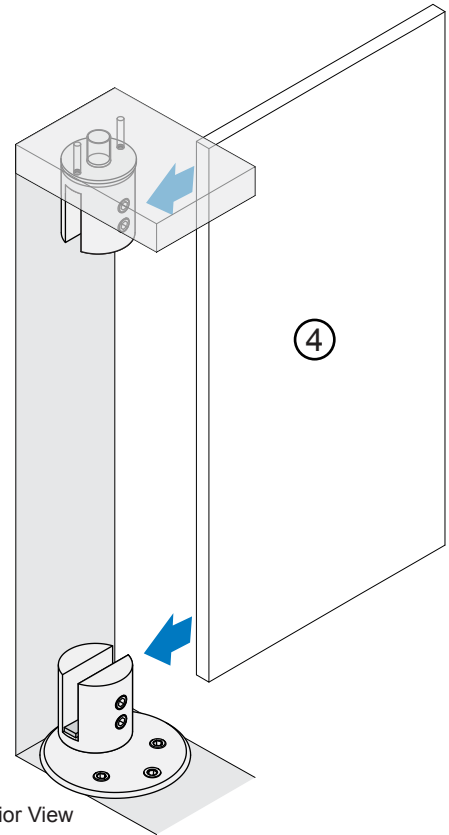
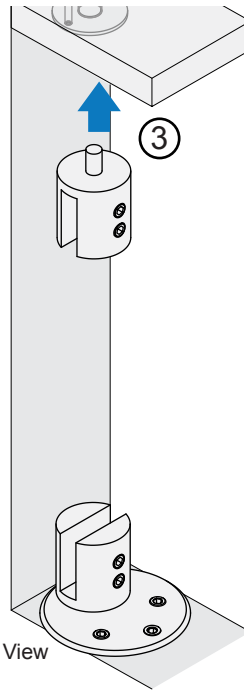
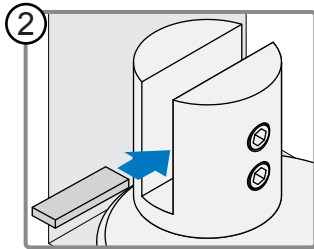
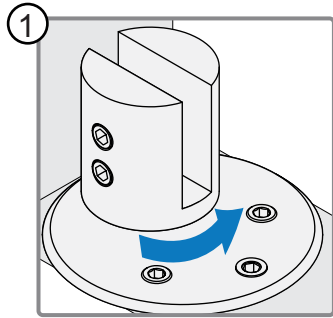


- ④ Place Pivot Receiver and mark holes.
- ⑤ Drill 3/16" (5 mm) holes.
- ⑥ Install Pivot Receiver.



DOOR INSTALLATION (CONTINUED)

Install Door Glass

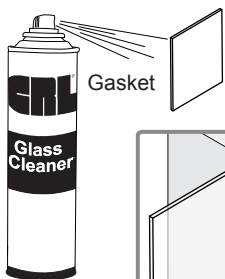


Interior View

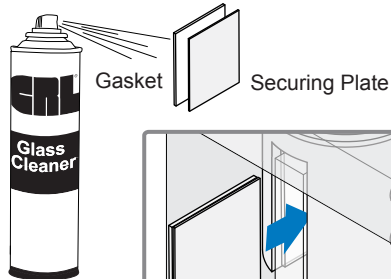
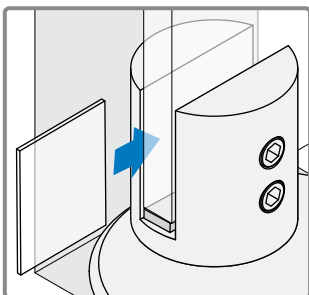
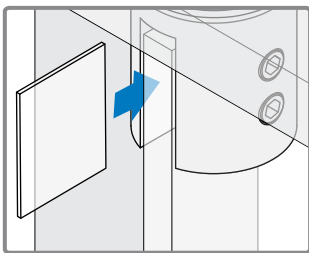
Interior View

- ① Open Closer to Hold Open Position.
- ② Place 1/8" (3 mm) Setting Block in Bottom Patch.
- ③ Hold Top Patch in place.
- ④ Carefully place glass.
- ⑤ Insert Gasket between glass and patches on outside face of door.
- ⑥ Insert Gasket with Securing Plate between glass and patches on inside face of door.

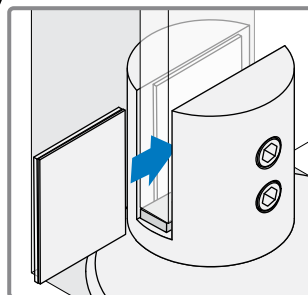
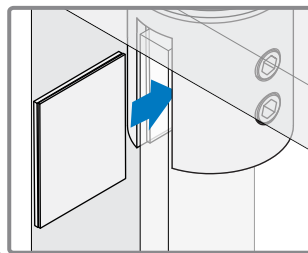
NOTE: Use CRL Glass Cleaner on Gaskets to ease installation.



⑤



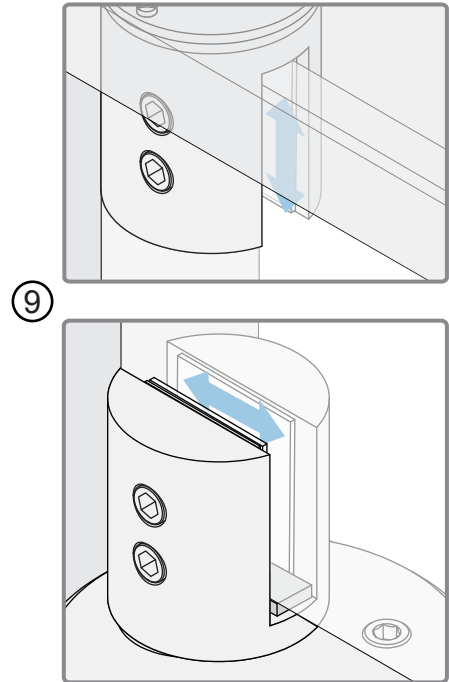
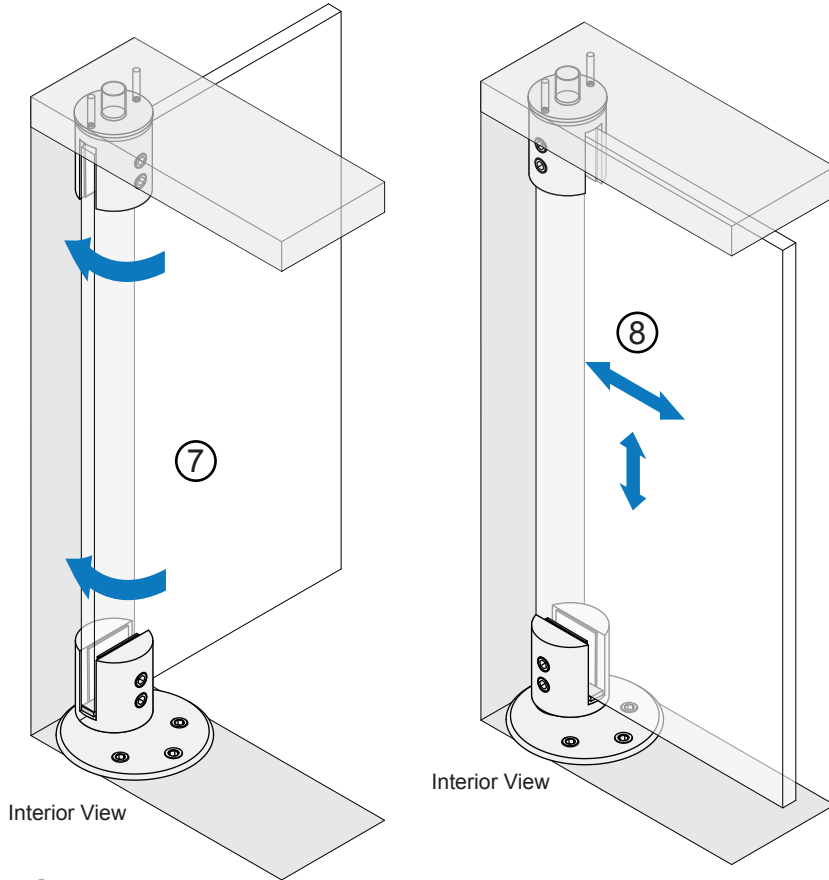
⑥



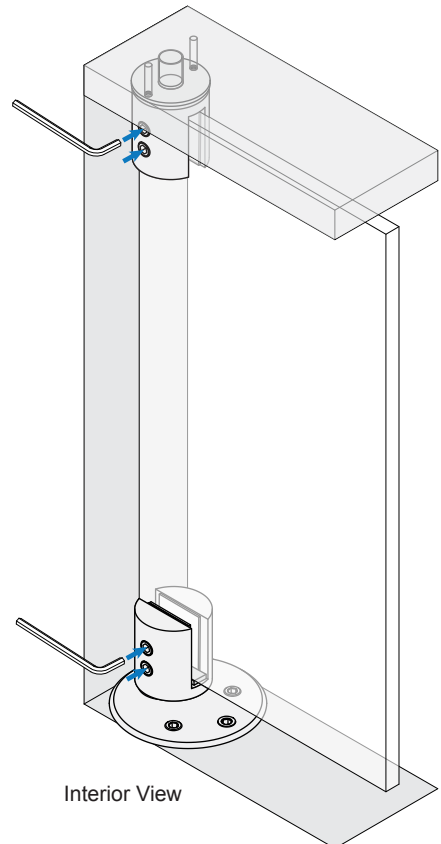
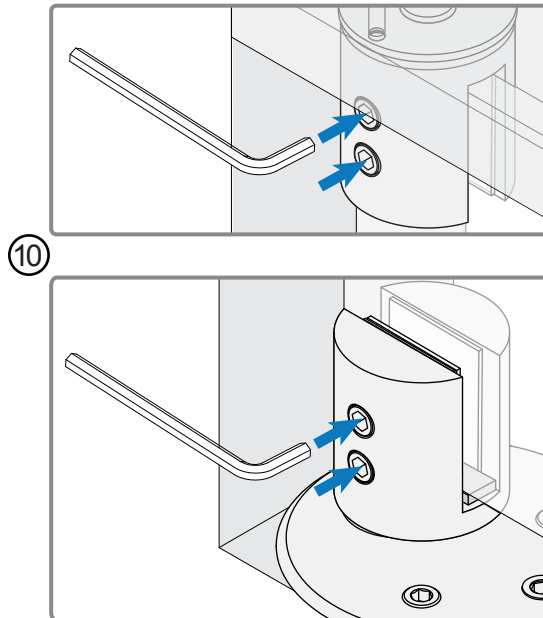
Interior View

DOOR INSTALLATION (CONTINUED)

Install Door Glass (Continued)



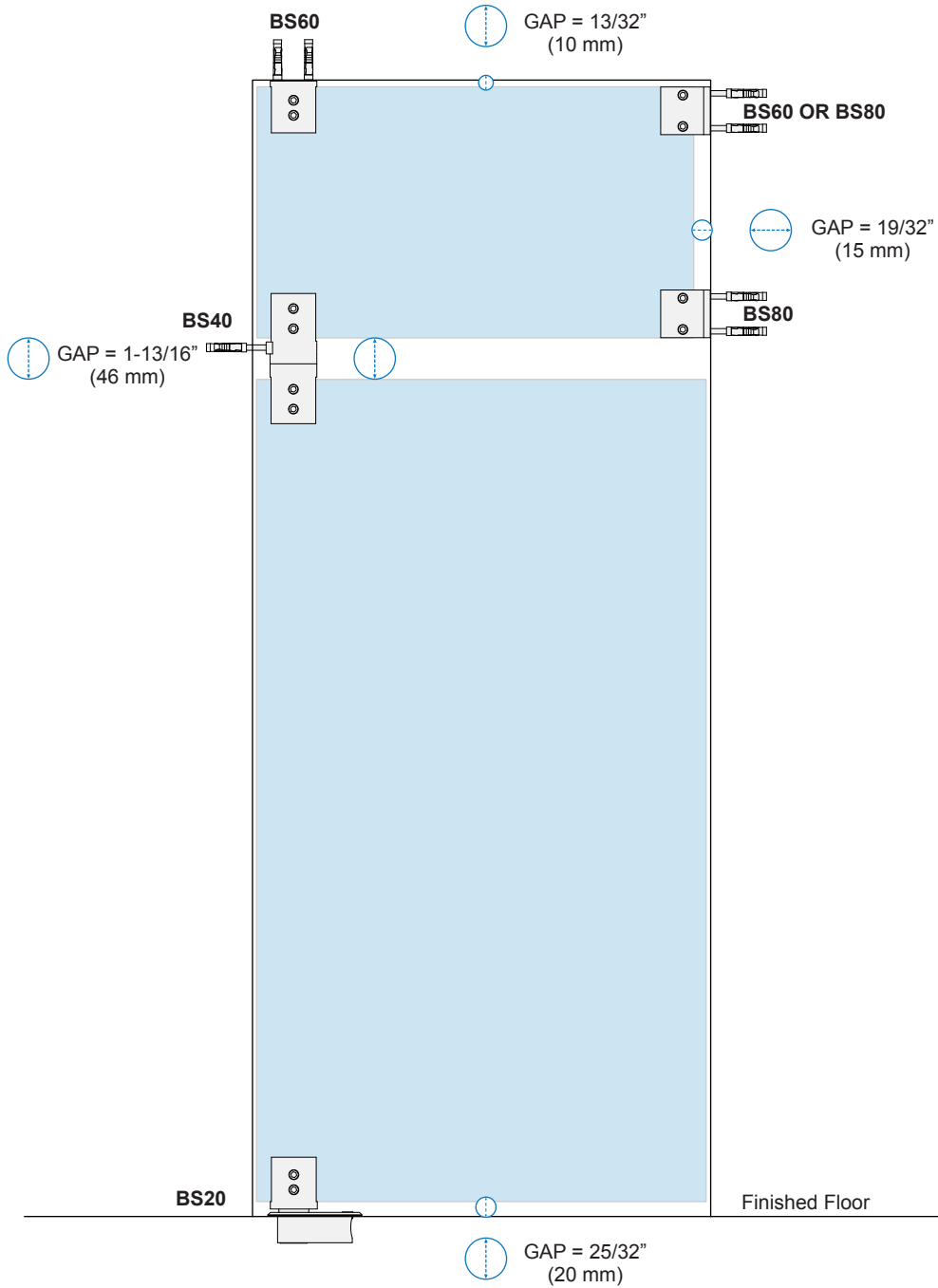
- ⑦ Carefully close door.
- ⑧ Adjust clearances.
- ⑨ Conceal Gaskets and Securing Plates.
- ⑩ Secure glass in Top and Bottom Patch.



TRANSOM DOOR INSTALLATION

Glass Fabrication

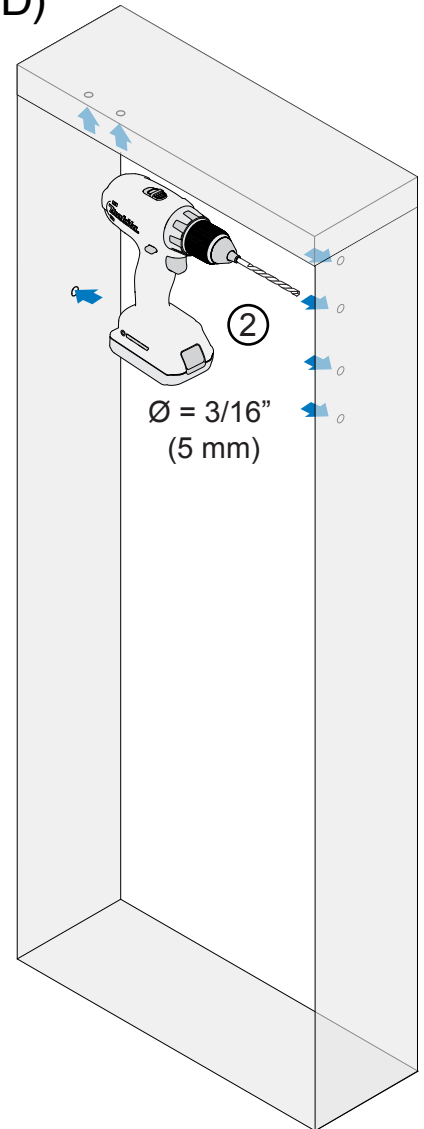
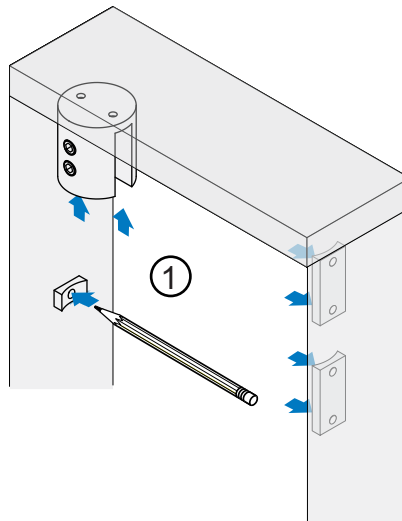
1/8" (3 mm) Minimum Gap recommended at all edges. The Required Gaps for the Clamps are shown below. Notch glass for smaller gaps.



TRANSOM DOOR INSTALLATION (CONTINUED)

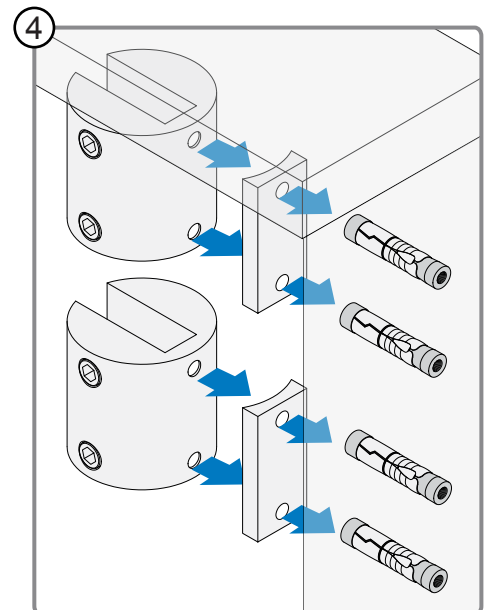
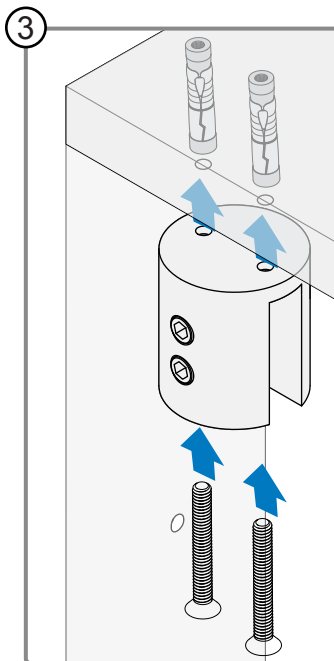
① Mark position for all Clamps.

② Drill holes.



Install End Mount Light-Duty Fixed Panel Clamp

③ Install Fixed Panel Clamp.



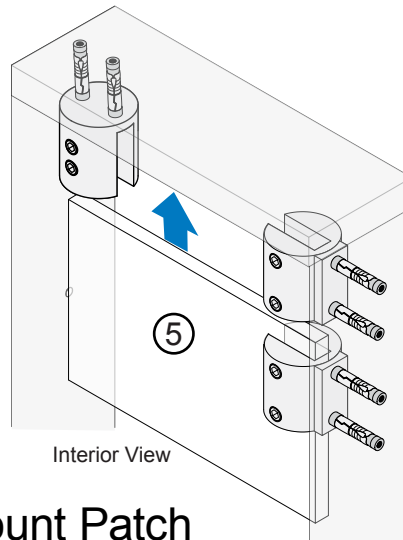
Install Wall Mount Fixed Panel Clamps

④ Install Wall Mount Clamps.

TRANSOM DOOR INSTALLATION (CONTINUED)

Install Transom Glass

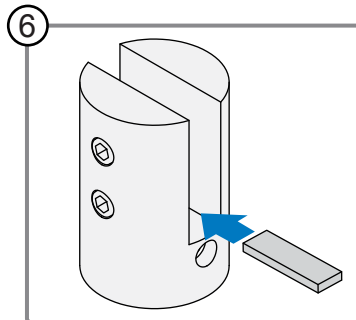
- ⑤ Carefully place Transom Glass.



Install Transom Wall Mount Patch

- ⑥ Place 1/8" (3 mm) Setting Block in Transom Wall Mount.

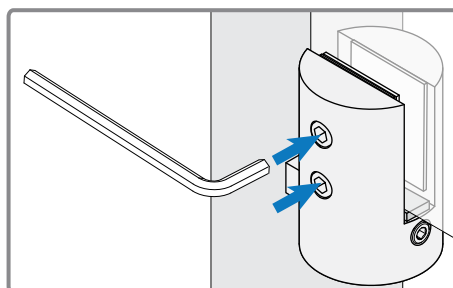
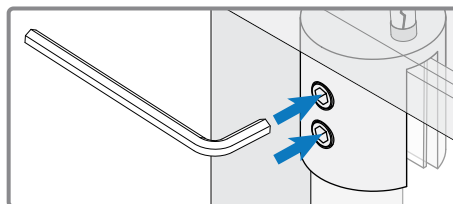
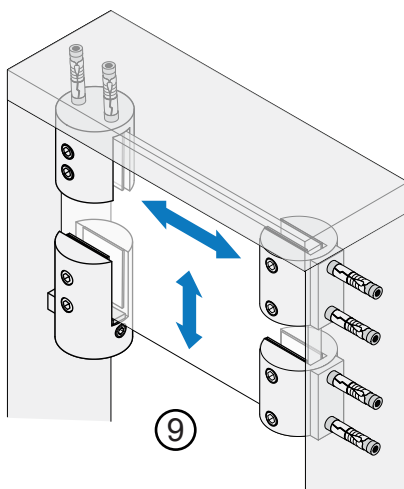
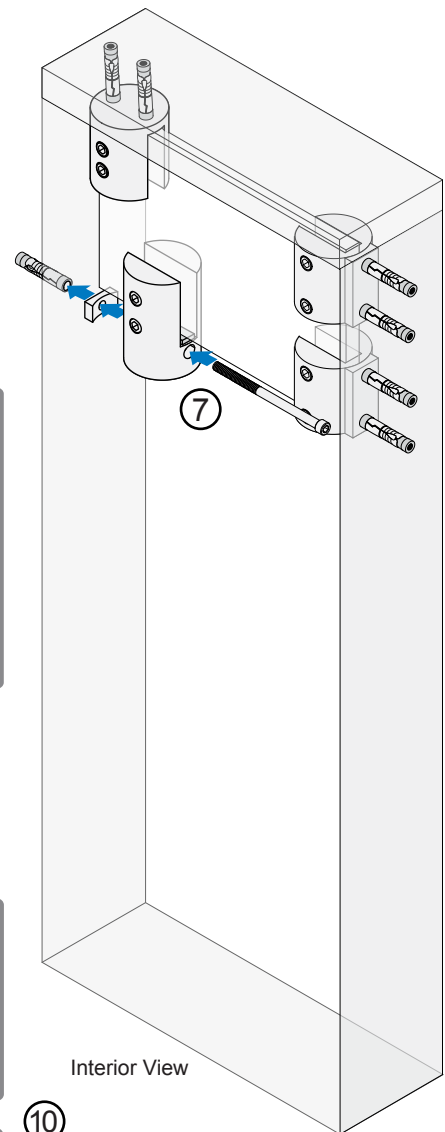
- ⑦ Install Transom Wall Mount Clamp.



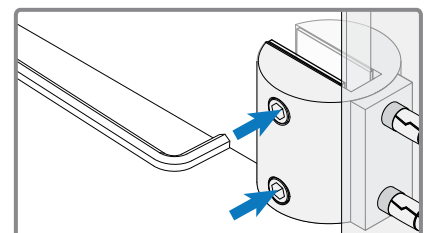
- ⑧ Follow instructions on Page 7 to install Gaskets on outside face, and Gaskets with Securing Plates on inside face.

- ⑨ Adjust clearances and conceal Gaskets and Securing Plates.

- ⑩ Secure glass in all Patch Fittings and Clamps.



⑩



TRANSOM DOOR INSTALLATION (CONTINUED)

Install Beretta Closer with Door Patch

Find the Pivot Point using a plumb line or laser and follow instructions on Pages 4 - 5 to install the Closer.

Install Transom Door Glass

Hold the Transom Pivot Patch in place and follow instructions on Pages 7 - 8 to install the Door Glass.

