

# INSTALLATION INSTRUCTIONS

## ENTICE SERIES PANIC HANDLE



---

Phone: (800) 421-6144 • Fax: (800) 582-7501  
crlaurence.com • usalum.com • crl-arch.com

---

11M0342\_12-5-18

# TABLE OF CONTENTS

USING THIS MANUAL .....	3
ORDER OF INSTALLATION .....	3
UNPACK .....	3
INCLUDED TOOLS.....	3
TOOLS NEEDED .....	3
KEY CONNECTION REFERENCE POINTS .....	4 - 6
EPA130F, EPA130Z, EPA133FS and EPA133Z.....	4
EPA160J and EPA160Z .....	5
EPA170JS and EPA170Z .....	6
IDENTIFY YOUR CONNECTION POINTS .....	7
INSTALL EXTERIOR HANDLE .....	8 - 10
R2 TOP .....	8
R2 BOTTOM .....	8
S2 BOTTOM.....	9
M2 BOTTOM .....	9
G2 TOP .....	10
G2 BOTTOM .....	10
INSTALL INTERIOR KAD .....	11
K2 INSTALLATION .....	11
K1 INSTALLATION.....	11
INSTALL INTERIOR HANDLE .....	12 - 15
R1 or R2 TOP .....	12
R1 or R2 BOTTOM .....	12
G1 TOP .....	13
G1 BOTTOM .....	13
S1 BOTTOM.....	14
S2 BOTTOM.....	14
M1 BOTTOM .....	15
M2 BOTTOM .....	15
ATTACH INTERIOR HANDLE TO INTERIOR KAD (K1, K2) .....	16
INSTALL CRASH BAR .....	16 - 17
F INSTALLATION.....	17
ADJUST RETRACTABLE BOLT .....	18
HANDLE CARE AND CLEANING .....	19

## USING THIS MANUAL

Entice Panic Handles are available in several styles based on different combinations of interior and exterior handles that can be mounted on either glass, rail, or Entice doors. The installation of all options for glass and rail doors are covered in this manual.

Find your handle style number on Pages 4 - 6. Each configuration is shown labeled with the key connection points for glass and rail mount. Note the combination of the connection points for your particular handle. Follow the order of installation in this manual and select the connection option for your handle at each step.

## ORDER OF INSTALLATION

### Step 1: Install Exterior Handle (if Present)

NOTE: For Glass Application, Step 2 is started before Top and Bottom Step 1 Connections are completed.

### Step 2: Install Interior KAD Housing

### Step 3: Install Interior Handle

### Step 4: Install Crash Bar

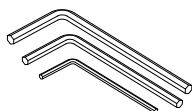
IMPORTANT: READ THIS MANUAL THOROUGHLY BEFORE BEGINNING INSTALLATION

## UNPACK

All Entice Panic Handles are fabricated specifically for your order, tested and then shipped partially assembled. Refer to the installation instructions for all the connection points for your handle in this manual before you begin to disassemble. Observe how the handle is assembled before you begin and then disassemble and reassemble it directly onto the door.

NOTE: Install the handle before hanging the door whenever possible.

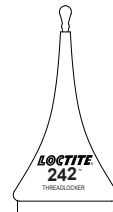
## INCLUDED TOOLS



Set of 3 Allen Wrenches  
Included

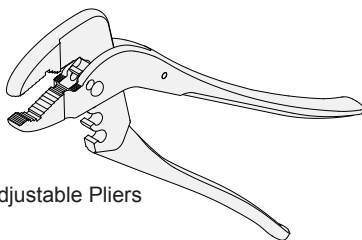


Rubber Gasket  
(Use with pliers to protect  
surfaces during installation)

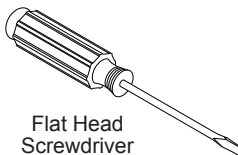


Loctite® 242 Threadlocker  
Included Bottle

## TOOLS NEEDED



Adjustable Pliers



Flat Head  
Screwdriver

If you have any questions, please contact CRL Technical Sales at (800) 421-6144 or visit our web site at [www.crlaurence.com](http://www.crlaurence.com).

# KEY CONNECTION REFERENCE POINTS

EPA130F, EPA130Z, EPA133FS and EPA133Z

EPA130F

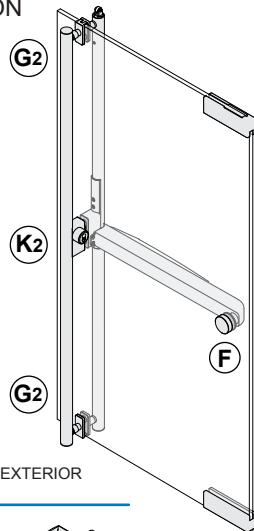
EPA130Z

EPA133FS

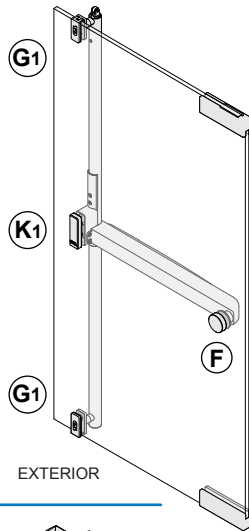
EPA133Z

**GLASS APPLICATION**

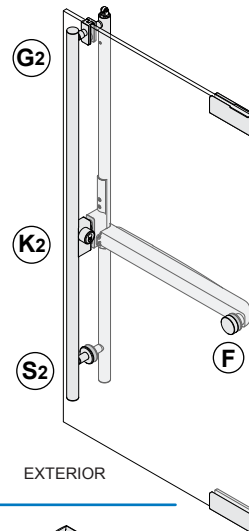
1/2" (13 mm) Glass  
3/4" (19 mm) Glass



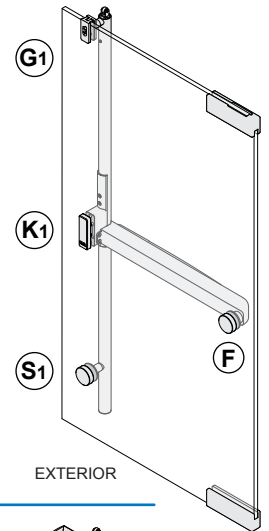
EXTERIOR



EXTERIOR



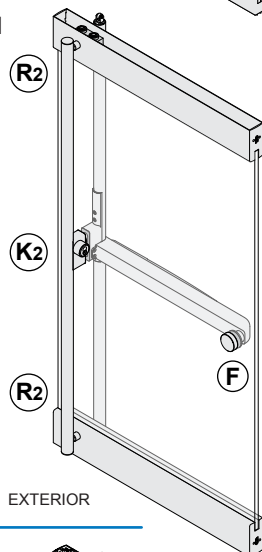
EXTERIOR



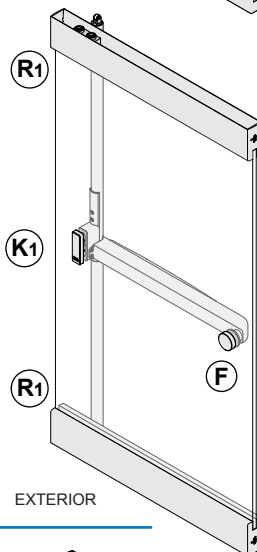
EXTERIOR

**RAIL APPLICATION**

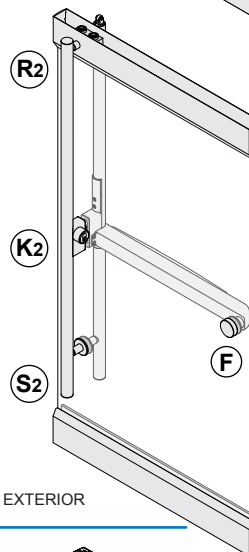
1/2" (13 mm) Glass  
3/4" (19 mm) Glass



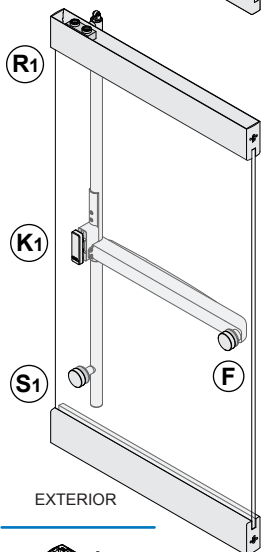
EXTERIOR



EXTERIOR



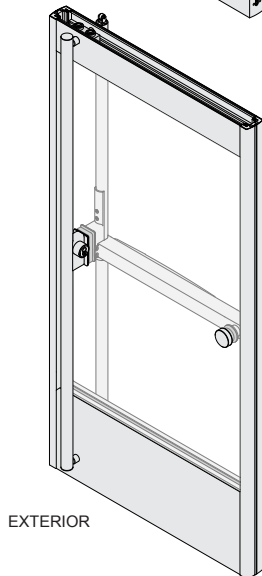
EXTERIOR



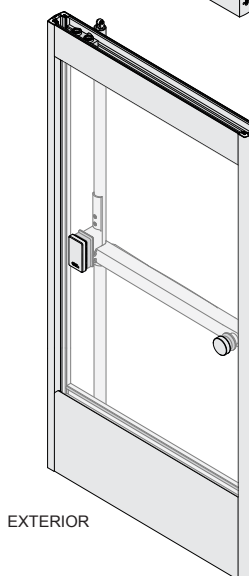
EXTERIOR

**ENTICE DOOR**

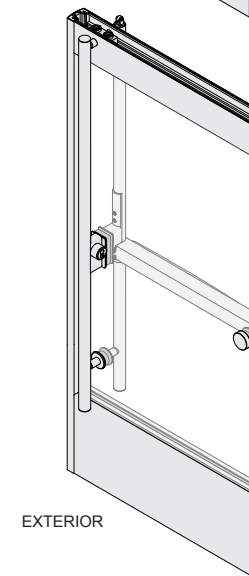
1" (25 mm) Glass  
Installed by CRL



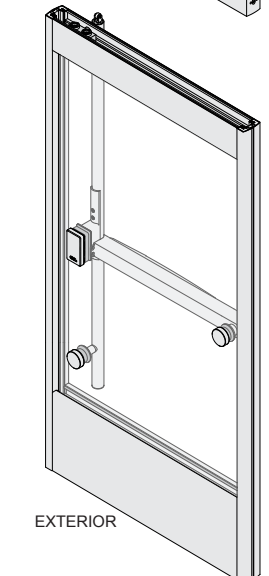
EXTERIOR



EXTERIOR



EXTERIOR



EXTERIOR

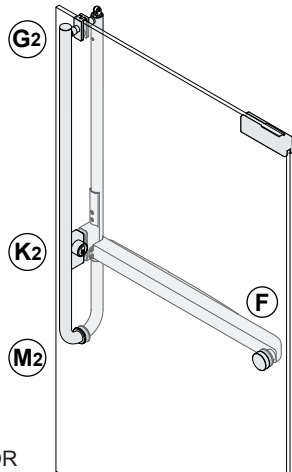
# KEY CONNECTION REFERENCE POINTS (CONTINUED)

## EPA160J and EPA160Z

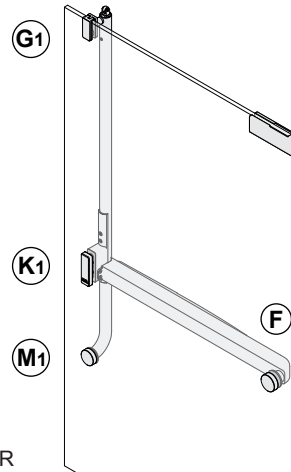
### EPA160J

### EPA160Z

GLASS APPLICATION  
1/2" (13 mm) Glass  
3/4" (19 mm) Glass

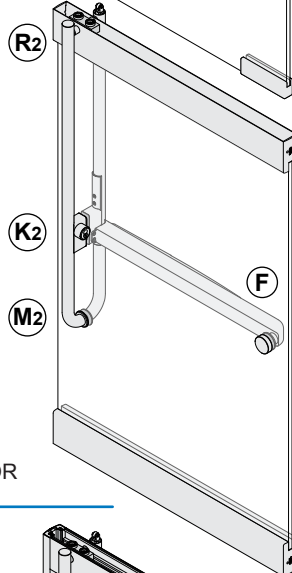


EXTERIOR

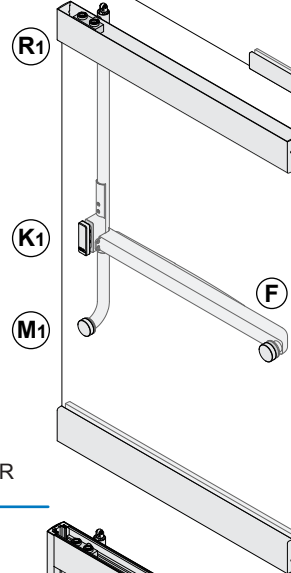


EXTERIOR

RAIL APPLICATION  
1/2" (13 mm) Glass  
3/4" (19 mm) Glass

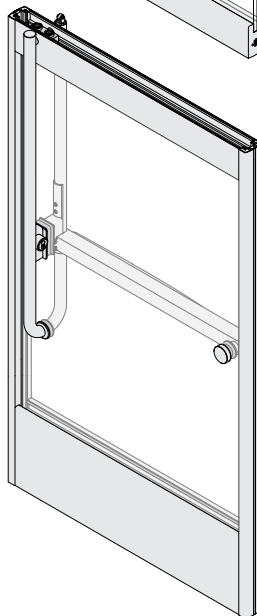


EXTERIOR

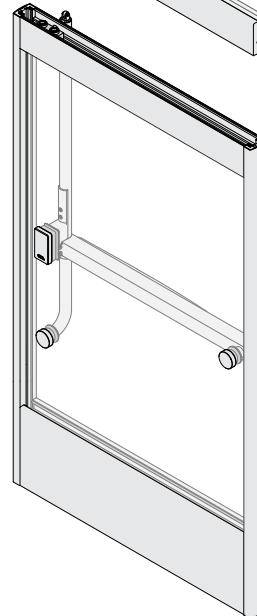


EXTERIOR

ENTICE DOOR  
1" (25 mm) Glass  
Installed by CRL



EXTERIOR



EXTERIOR

# KEY CONNECTION REFERENCE POINTS (CONTINUED)

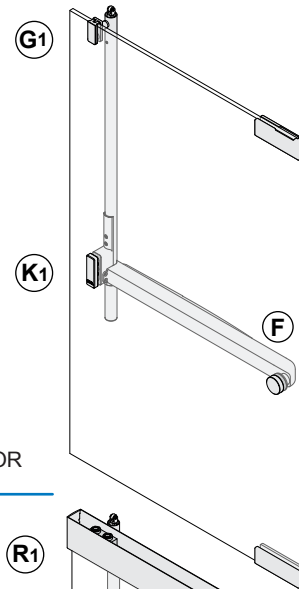
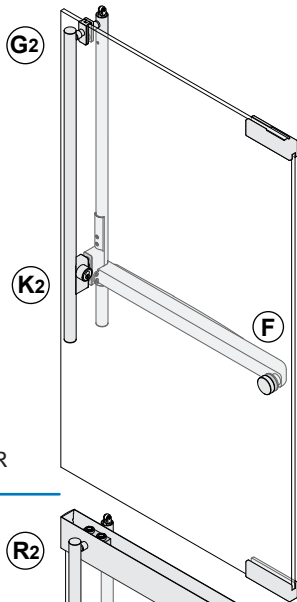
## EPA170JS and EPA170Z

### EPA170JS

### EPA170Z

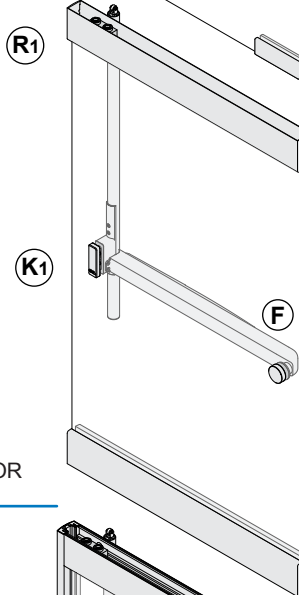
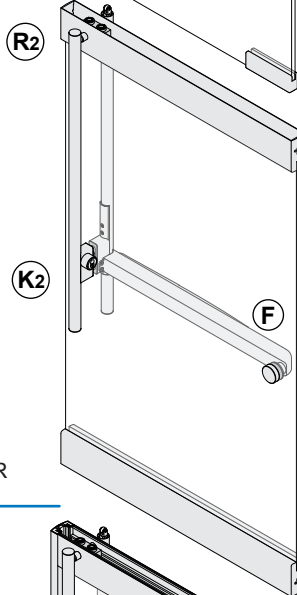
#### GLASS APPLICATION

1/2" (13 mm) Glass  
3/4" (19 mm) Glass



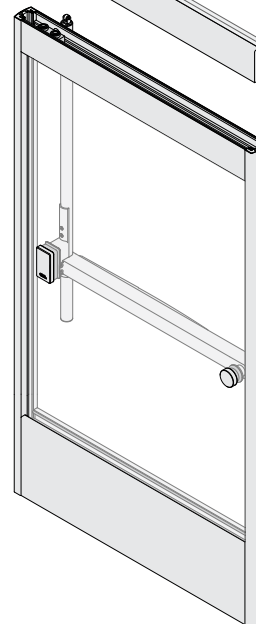
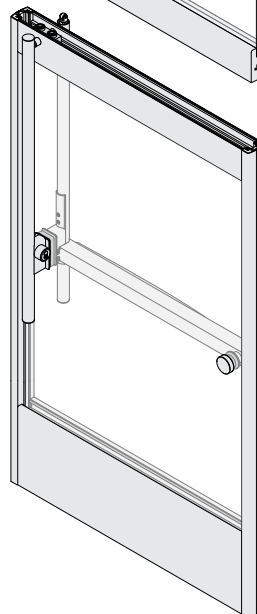
#### RAIL APPLICATION

1/2" (13 mm) Glass  
3/4" (19 mm) Glass



#### ENTICE DOOR

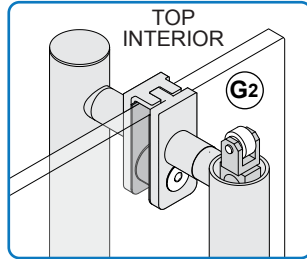
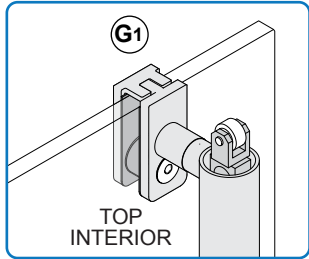
1" (25 mm) Glass  
Installed by CRL



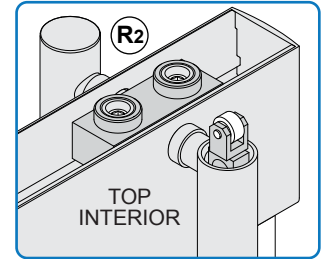
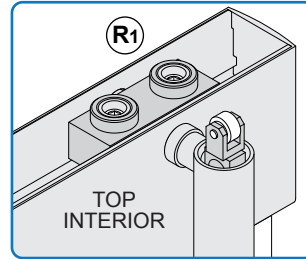
# IDENTIFY YOUR CONNECTION POINTS

Find your handle style number on Pages 4 - 6. Note the combination of the connection points for your handle. Follow the installation order in this manual and select the connection option for your handle at each step.

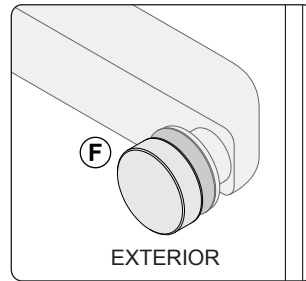
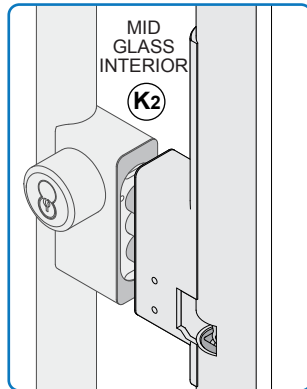
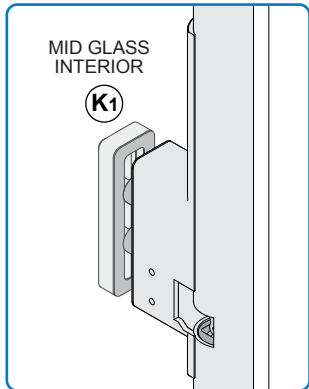
## Top Glass Connection Options



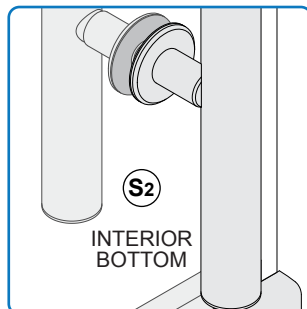
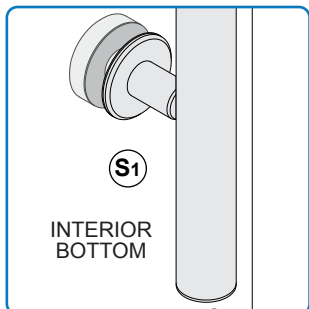
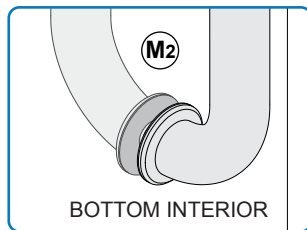
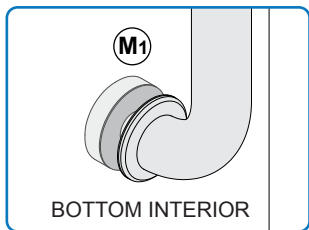
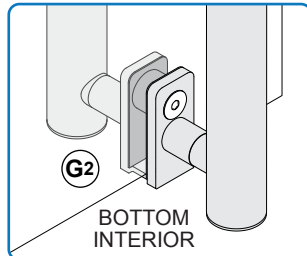
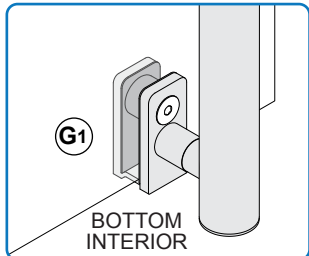
## Top Rail Connection Options



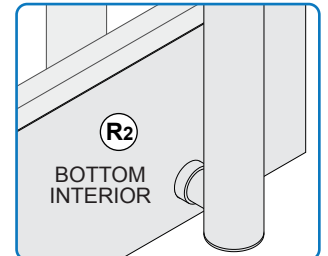
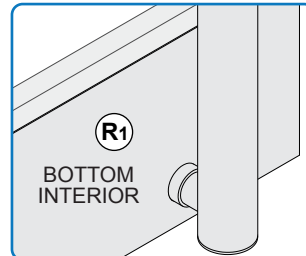
## Mid Glass Connection Options



## Bottom Glass Connection Options



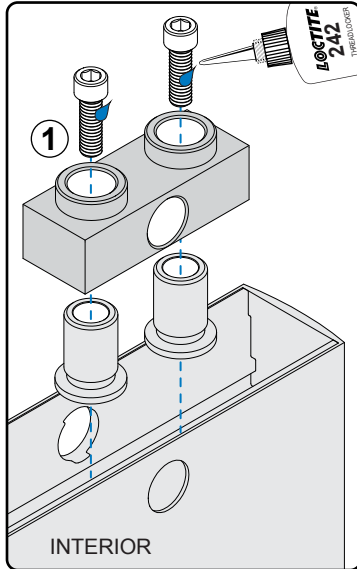
## Bottom Rail Connection Options



# INSTALL EXTERIOR HANDLE R2 TOP

Models EPA130F, EPA133FS, EPA160J, and EPA170JS  
RAIL DOOR

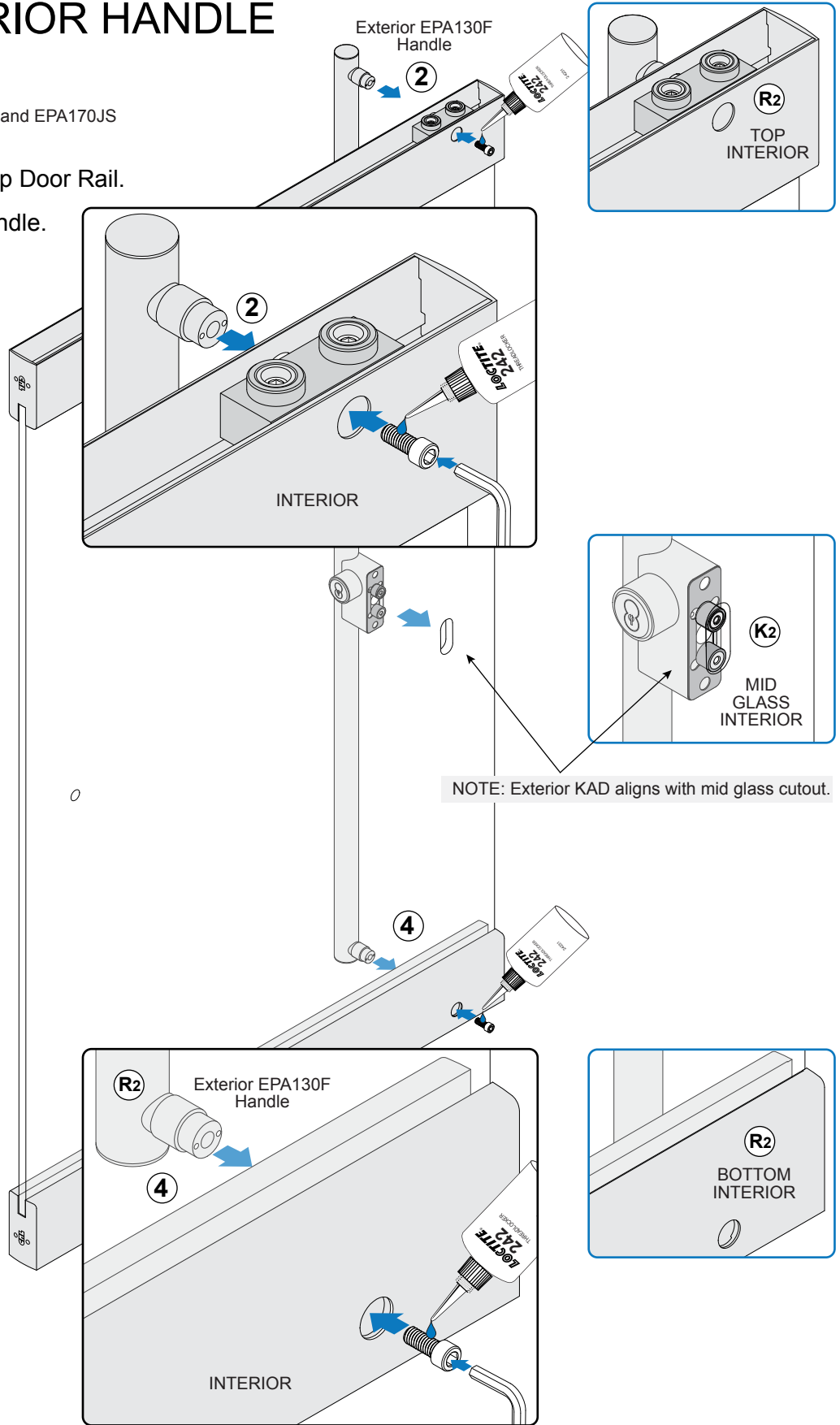
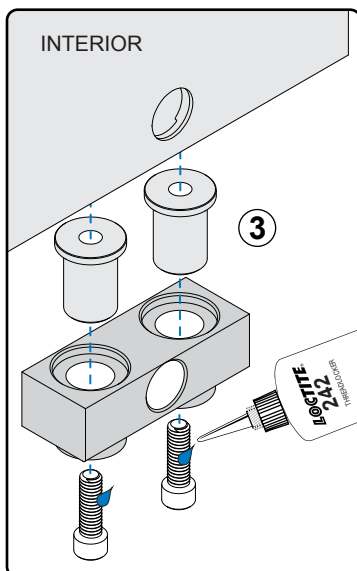
- ① Install Adaptor Block to Top Door Rail.
- ② Install Top R2 Exterior Handle.



## R2 BOTTOM

Model EPA130F  
RAIL DOOR

- ③ Install Adaptor Block to Bottom Door Rail.
- ④ Install Bottom R2 Exterior Handle.



\* Loctite® is recommended on all screw threads during final assembly.

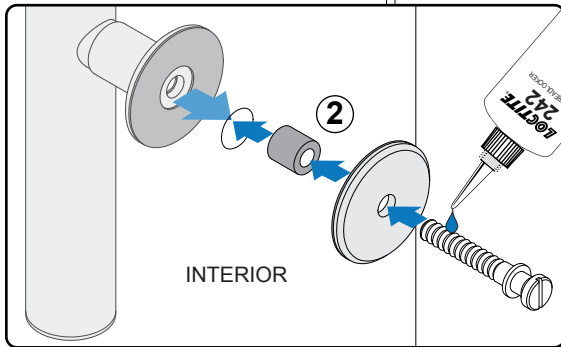


# INSTALL EXTERIOR HANDLE (CONTINUED)

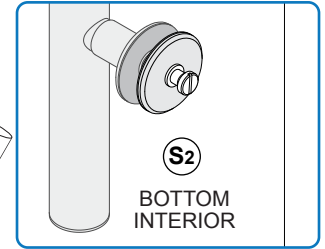
## S2 BOTTOM

Model EPA133FS  
RAIL DOOR

- 1 See Page 8 to install Top R2 Exterior Handle.
- 2 Install Bottom S2 Exterior Handle.



Exterior EPA133FS  
Handle



NOTE: Rail door shown with R2 Top. For glass door, see instructions for G2 Top before installing S2 Bottom.

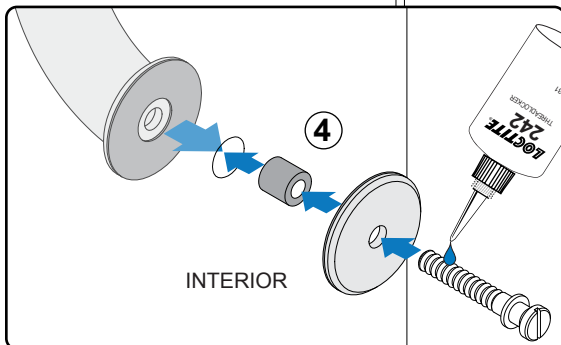
Model EPA133FS  
ALL GLASS DOOR

- 1 See Page 10 to install Top G2 Exterior Handle.
- 2 Install Bottom S2 Exterior Handle.

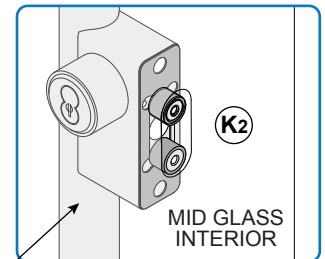
## M2 BOTTOM

Model EPA130J  
RAIL DOOR

- 3 See Page 8 to install Top R2 Exterior Handle.
- 4 Install Bottom M2 Exterior Handle.



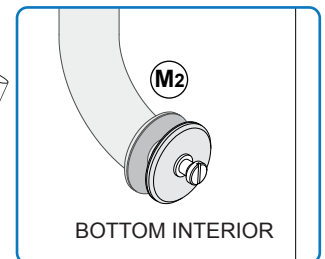
Exterior EPA160J  
Handle



NOTE: Exterior KAD aligns with mid glass cutout.

Model EPA130J  
ALL GLASS DOOR

- 3 See Page 10 to install Top G2 Exterior Handle.
- 4 Install Bottom M2 Exterior Handle.



NOTE: Rail door shown with R2 Top. For glass door, see instructions for G2 Top before installing M2 Bottom.

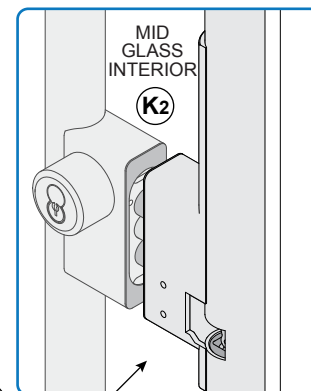
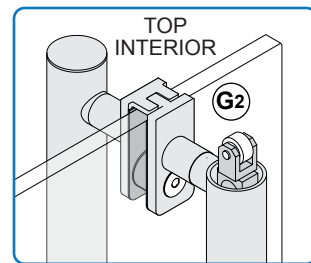
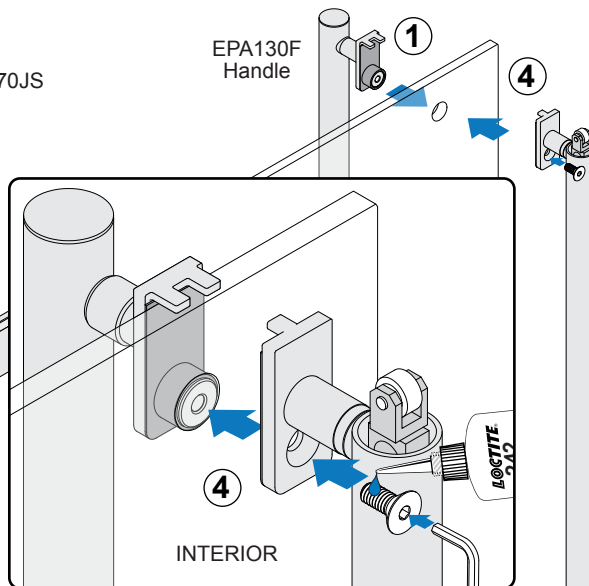
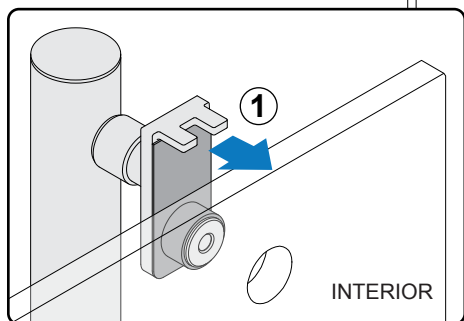
\* Loctite® is recommended on all screw threads during final assembly.

# INSTALL EXTERIOR HANDLE (CONTINUED)

## G2 TOP

Models EPA130F, EPA133FS, EPA160J, and EPA170JS  
ALL GLASS DOOR

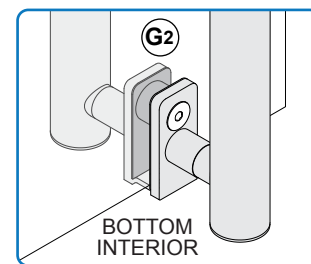
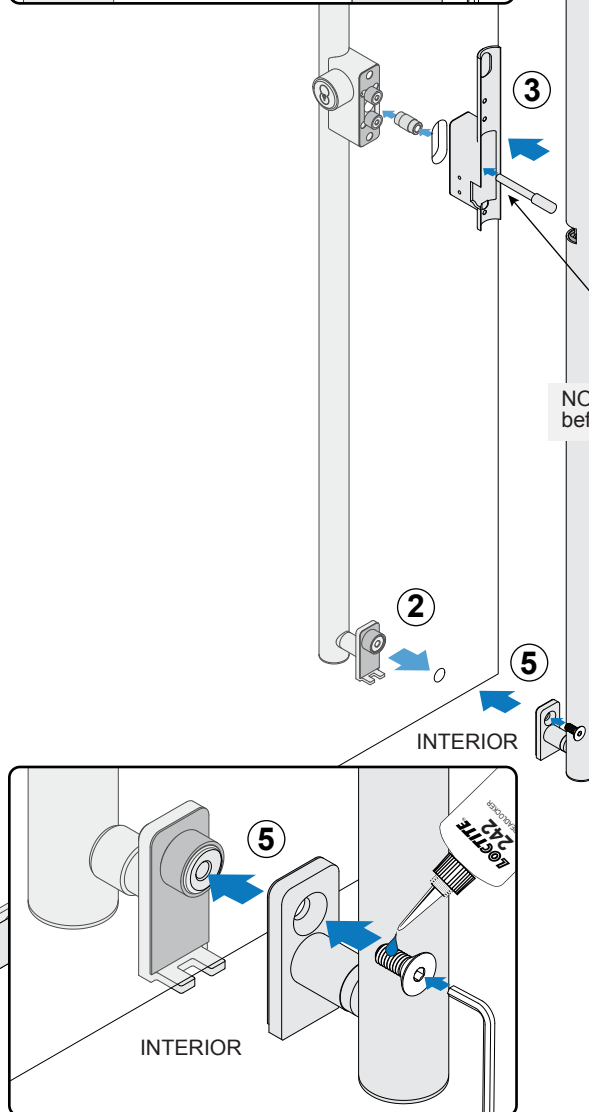
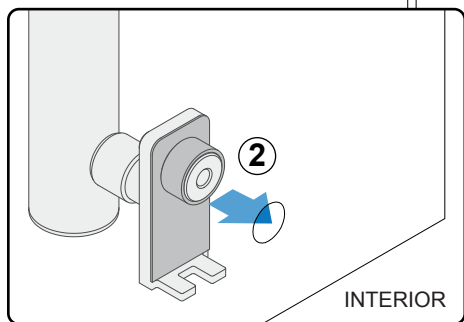
- ① Fit Exterior G2 Top Handle with Gasket into hole in glass.
- ② Fit Exterior G2 Bottom Handle with Gasket into hole in glass.
- ③ Install Interior KAD as shown on Page 11.
- ④ Install Top G2 Interior Handle.



## G2 BOTTOM

Model EPA130F  
ALL GLASS DOOR

- ⑤ Install Bottom G2 Interior Handle.



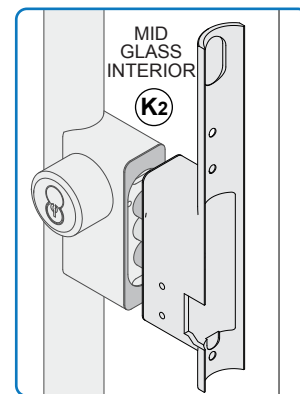
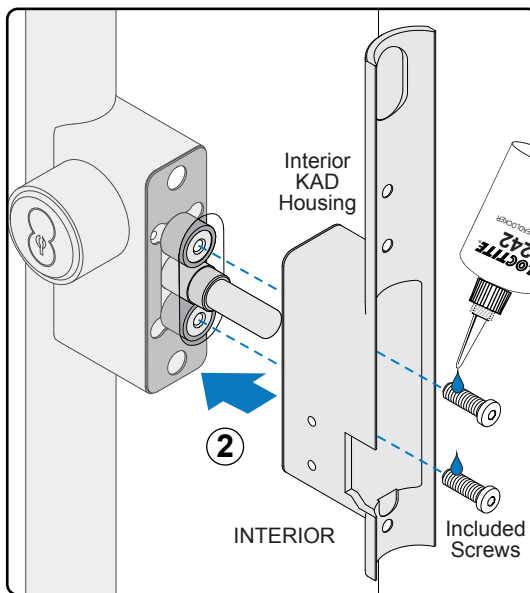
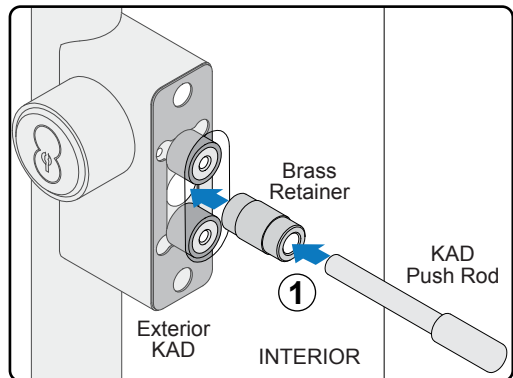
NOTE: Interior KAD must be installed before interior handle. See Page 11.

\* Loctite® is recommended on all screw threads during final assembly.

# INSTALL INTERIOR KAD K2 INSTALLATION

Models EPA130F, EPA133FS, EPA160J, and EPA170JS  
RAIL DOOR and ALL GLASS DOOR

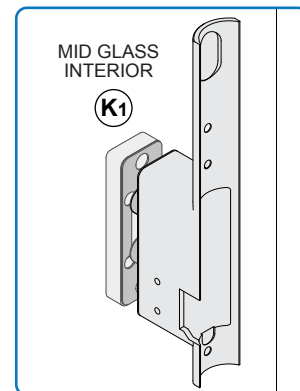
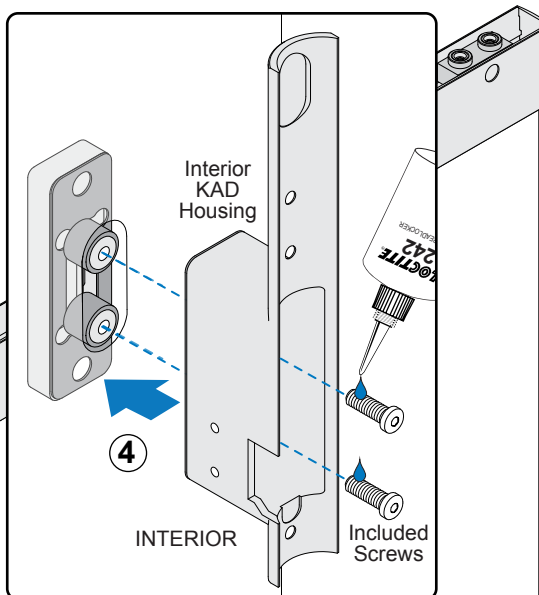
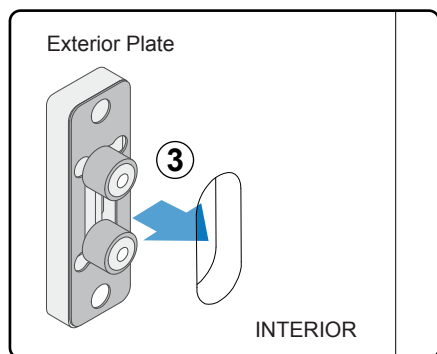
- 1 Install Brass Retainer and KAD Push Rod in Exterior KAD.
- 2 Install Interior KAD Housing.



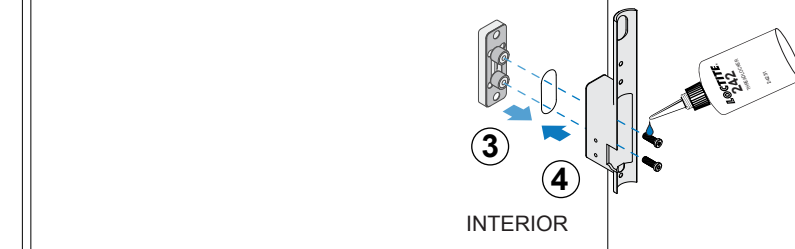
# K1 INSTALLATION

Models EPA130Z, EPA133Z, EPA160Z, and EPA170Z  
RAIL DOOR and ALL GLASS DOOR

- 3 Fit Exterior Plate and Gaskets through mid glass cutout.
- 4 Install Interior KAD Housing.



NOTE: Rail door with R1 Top shown. Glass door similar.



\* Loctite® is recommended on all screw threads during final assembly.

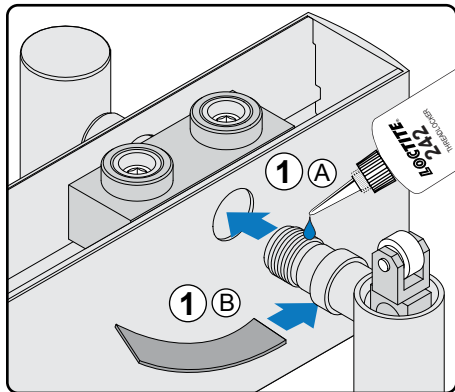
# INSTALL INTERIOR HANDLE

## R1 OR R2 TOP

Models EPA130F, EPA133FS, EPA130Z, EPA160J, EPA160Z, EPA170JS and EPA170Z  
RAIL DOOR

- ① Install Interior Top R1 or R2.
- ② Screw into Adaptor Block.

NOTE: R2 Top shown. R1 Top similar.



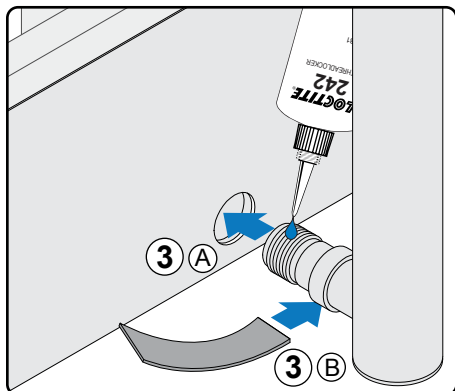
NOTE: Hand tighten first and then use pliers to completely tighten. Wrap post with included gasket to protect surface.

## R1 OR R2 BOTTOM

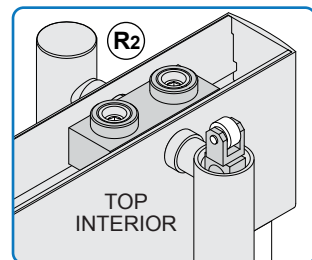
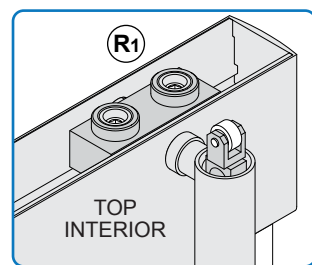
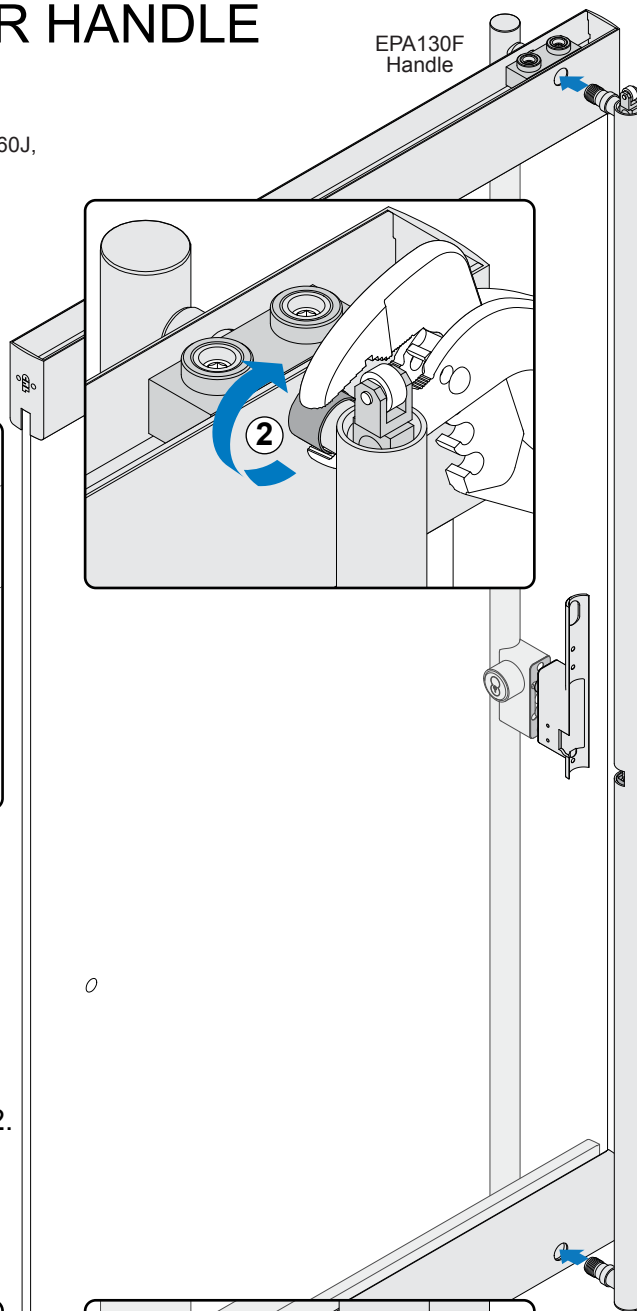
Models EPA130F and EPA130Z  
RAIL DOOR

- ③ Install Interior Bottom R1 or R2.
- ④ Screw into Adaptor Block.

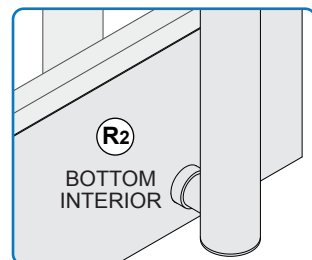
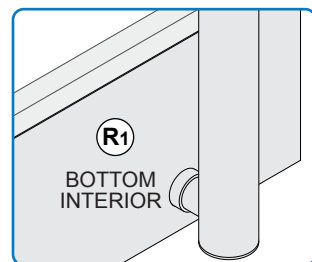
NOTE: R2 Bottom shown. R1 Top similar.



NOTE: Hand tighten first and then use pliers to completely tighten. Wrap post with included gasket to protect surface.



NOTE: Adjust Height of Adaptor Block if needed to align holes.



NOTE: Adjust Height of Adaptor Block if needed to align holes.

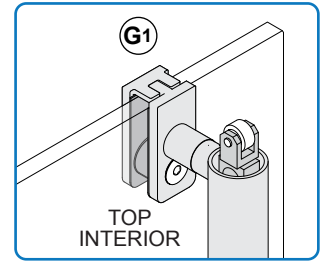
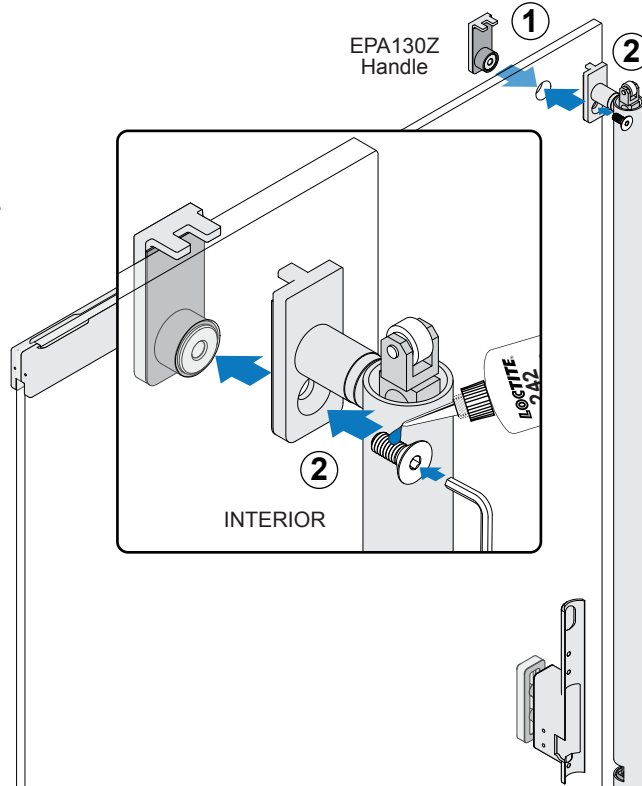
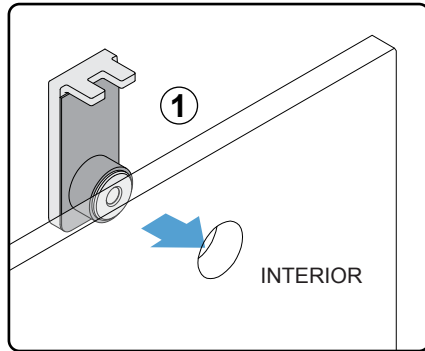
\* Loctite® is recommended on all screw threads during final assembly.

# INSTALL INTERIOR HANDLE (CONTINUED)

## G1 TOP

Models EPA130Z, EPA160Z, and EPAZ  
ALL GLASS DOOR

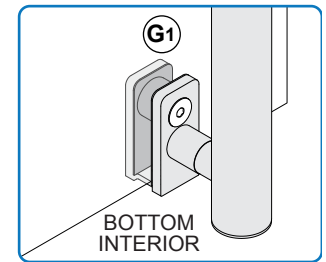
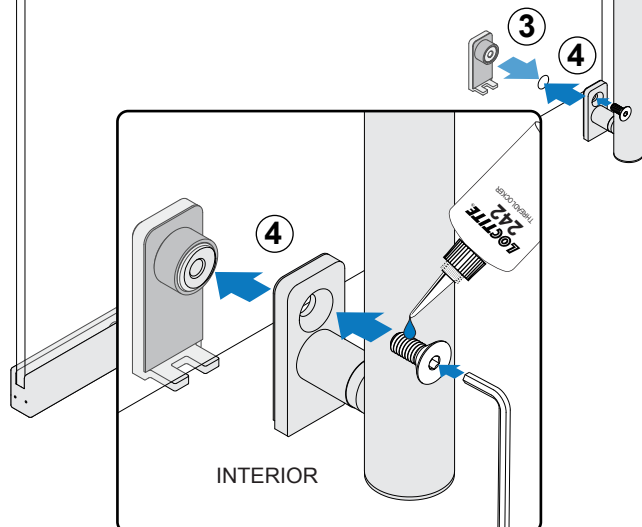
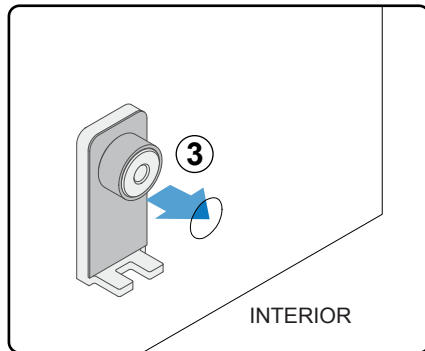
- 1 Fit Exterior G1 Top Plate with Gasket into hole in glass.
- 2 Fasten G1 Interior Handle at top with included screw.



## G1 BOTTOM

Model EPA130Z  
ALL GLASS DOOR

- 3 Fit Exterior G1 Bottom Plate with Gasket into hole in glass.
- 4 Install Bottom G1 Interior Handle.



\* Loctite® is recommended on all screw threads during final assembly.

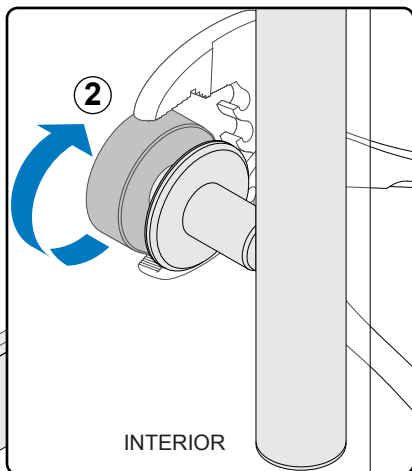
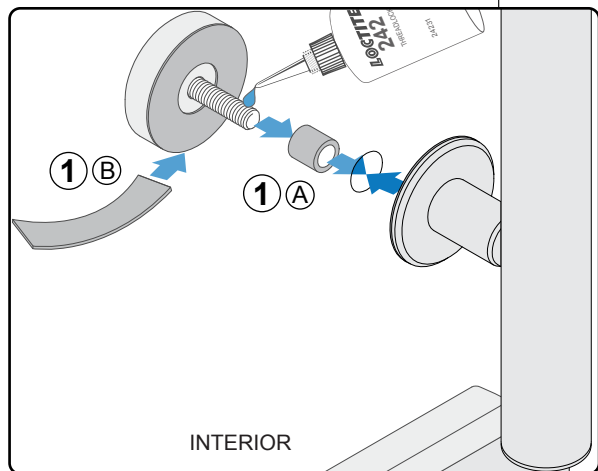
# INSTALL INTERIOR HANDLE (CONTINUED)

## S1 BOTTOM

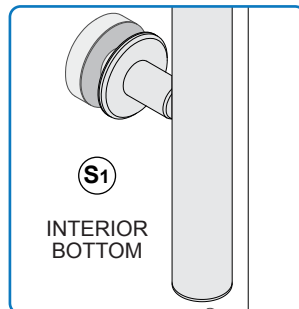
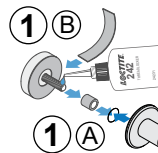
Model EPA130Z  
RAIL DOOR and ALL GLASS DOOR

NOTE: Rail door shown. Glass door similar.

- 1 Fit End Cap and Gasket through hole in glass from exterior.
- 2 Screw into Bottom Interior S1 Handle.



EPA130Z Handle

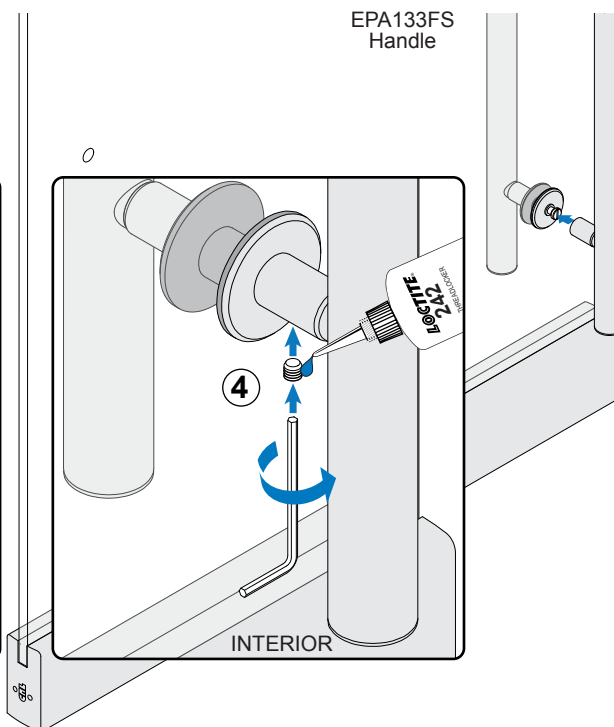
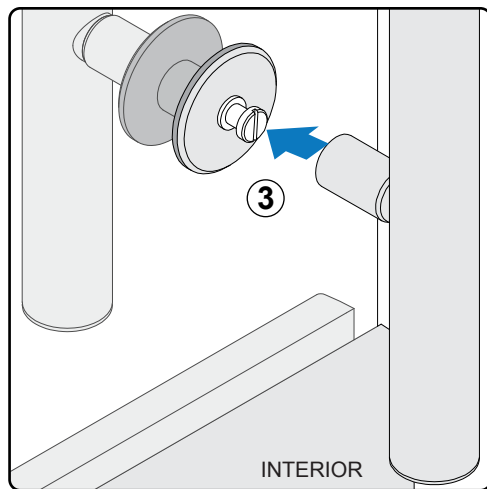


## S2 BOTTOM

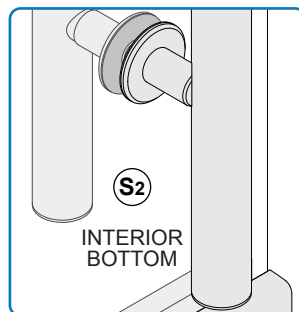
Model EPA133FS  
RAIL DOOR and ALL GLASS DOOR

NOTE: Rail door shown. Glass door similar.

- 3 Fit Bottom Interior S2 Handle over screw.
- 4 Insert Set Screw. Secure with included Allen Wrench.



EPA133FS Handle



\* Loctite® is recommended on all screw threads during final assembly.

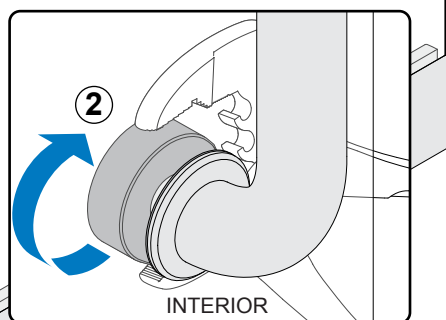
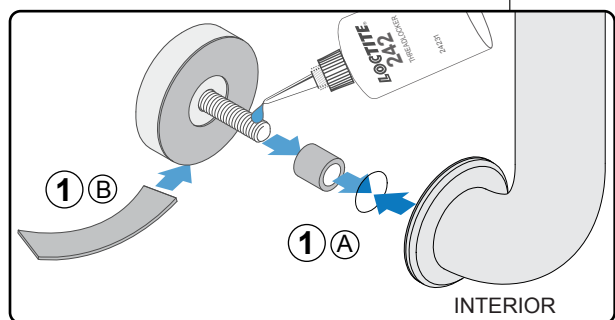
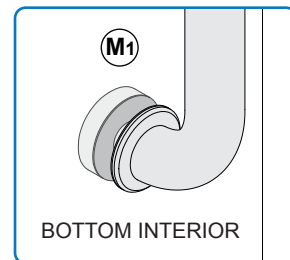
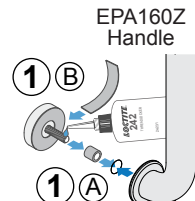
# INSTALL INTERIOR HANDLE (CONTINUED)

## M1 BOTTOM

Model EPA160Z  
RAIL DOOR and ALL GLASS DOOR

NOTE: Rail door shown. Glass door similar.

- ① Fit End Cap and Gasket through hole in glass from exterior.
- ② Screw into Bottom Interior M1 Handle.



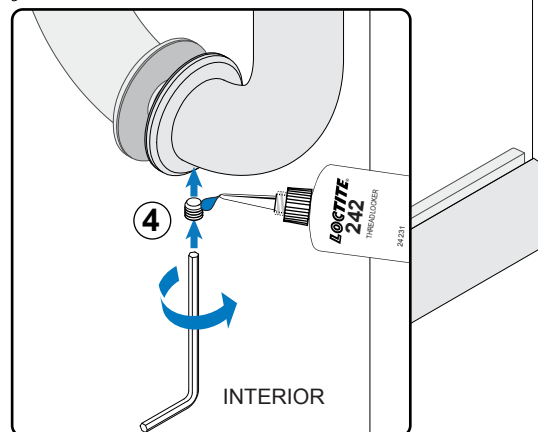
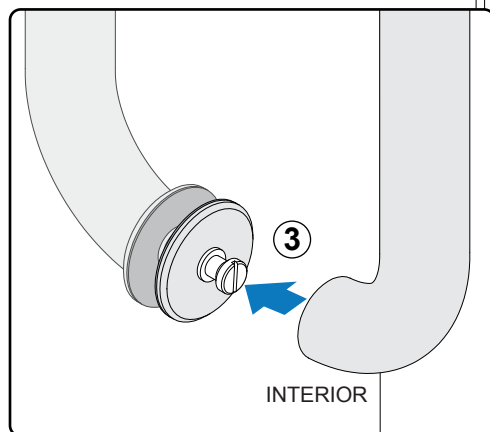
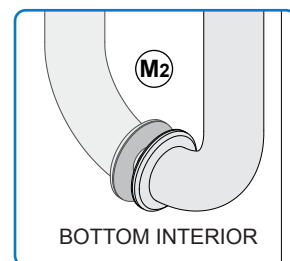
## M2 BOTTOM

Model EPA160J  
RAIL DOOR and ALL GLASS DOOR

NOTE: Rail door shown. Glass door similar.

- ③ Fit Bottom Interior M2 Handle over screw.
- ④ Insert Set Screw. Secure with included Allen Wrench.

EPA160J Handle

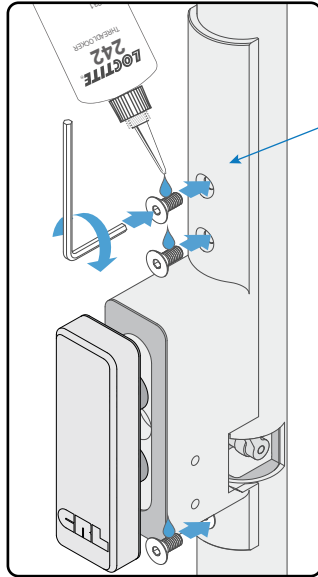
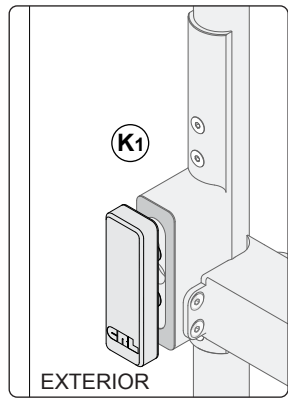


\* Loctite® is recommended on all screw threads during final assembly.

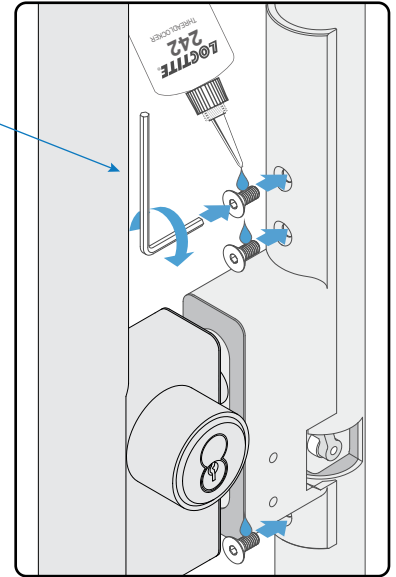
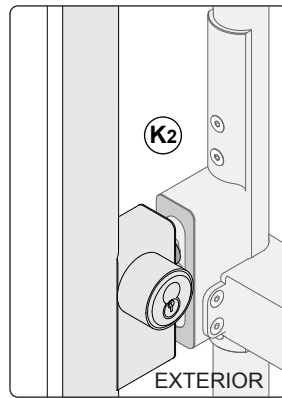
# ATTACH INTERIOR HANDLE TO INTERIOR KAD

(K1, K2)

- 1 Attach Interior Handle to Interior KAD Housing.

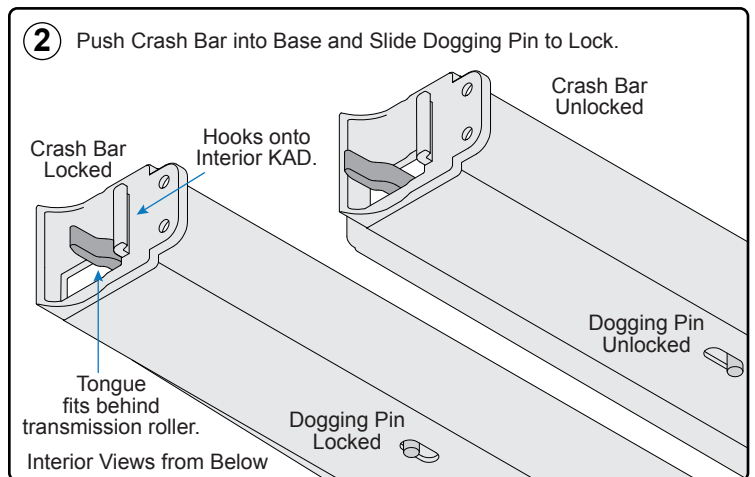
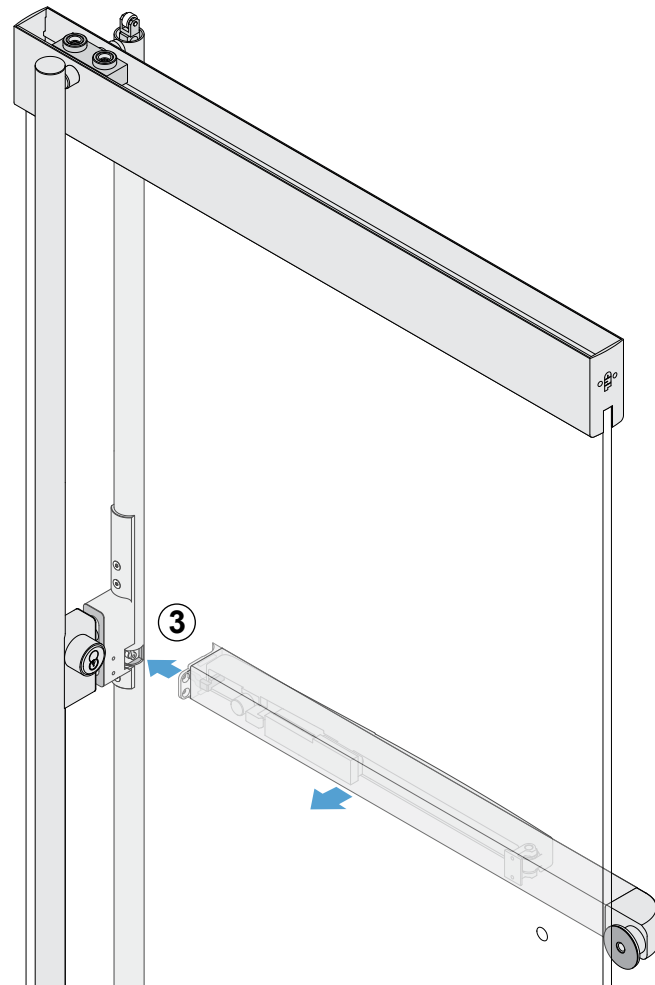


NOTE: Place screw with Loctite onto short side of included Allen Wrench and then fit into holes.

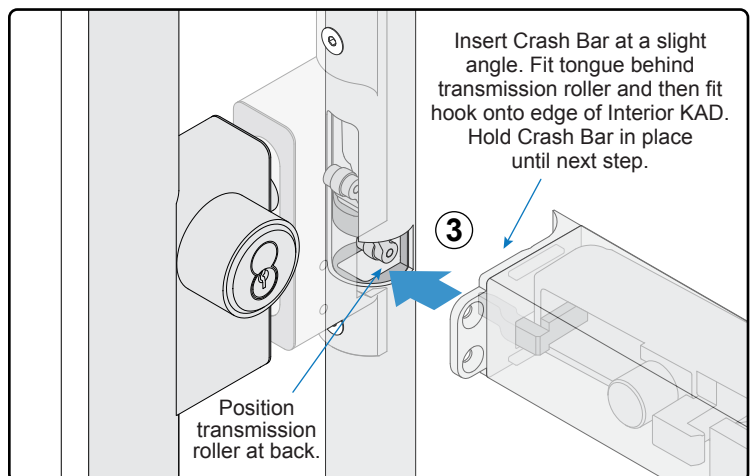


## INSTALL CRASH BAR

- 2 Ensure Crash Bar is in locked position.
- 3 Fit Crash Bar into Interior Handle.



NOTE: Push transmission roller to back of Interior Handle before installing Crash Bar. Insert Crash Bar at slight angle so tongue sits behind roller and then straighten bar and hook onto Interior KAD. Hold in place until next step.



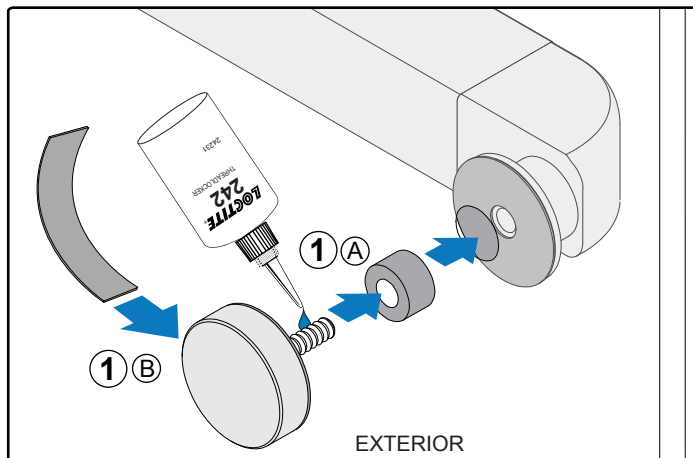
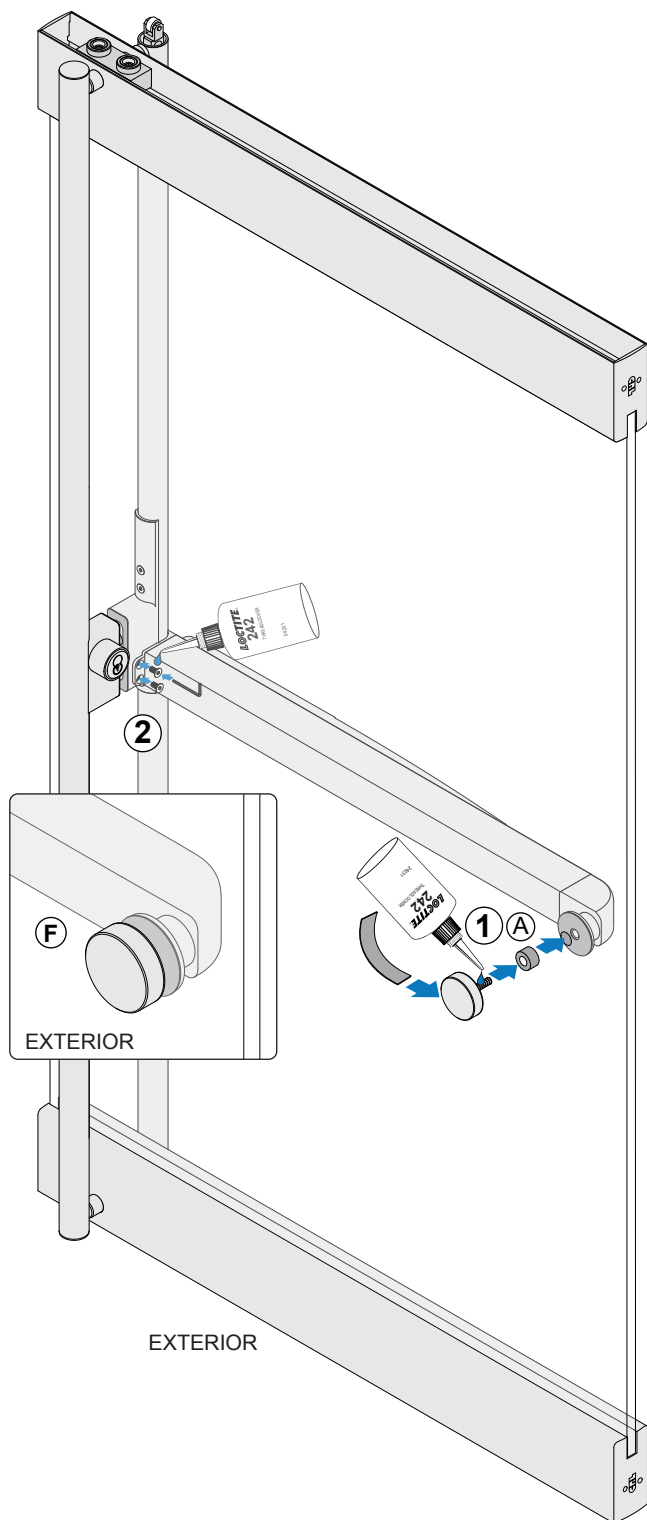
\* Loctite® is recommended on all screw threads during final assembly.



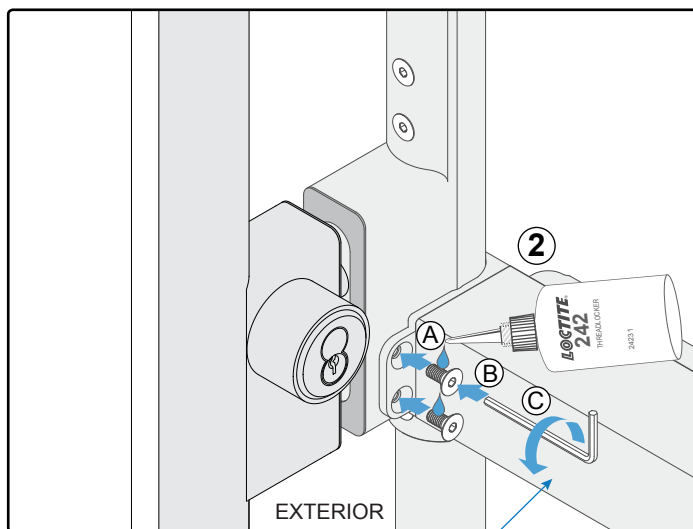
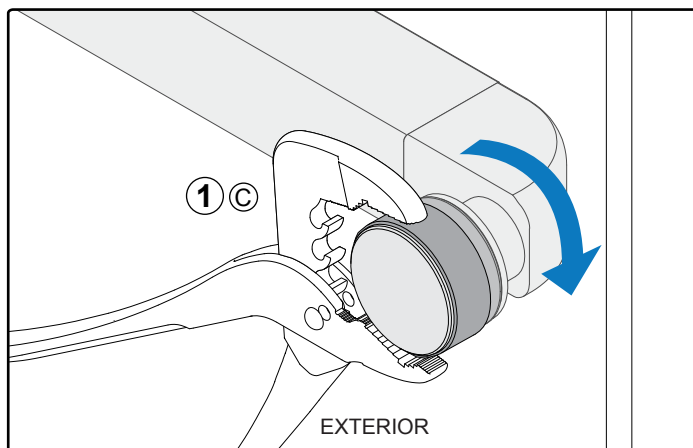
# INSTALL CRASH BAR (CONTINUED)

## F INSTALLATION

- ① Fit End Cap and Gasket through hole in glass, align with Crash Bar and securely screw in place.
- ② Attach Crash Bar to Interior Handle.



NOTE: Hand tighten End Cap and then wrap with included gasket to protect the surface and tighten securely with pliers



NOTE: Place screw with Loctite onto long side of included Allen Wrench and then fit into holes.

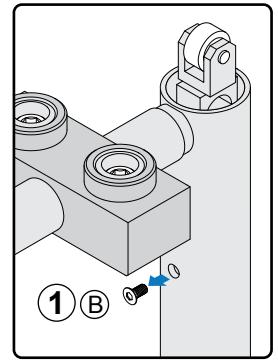
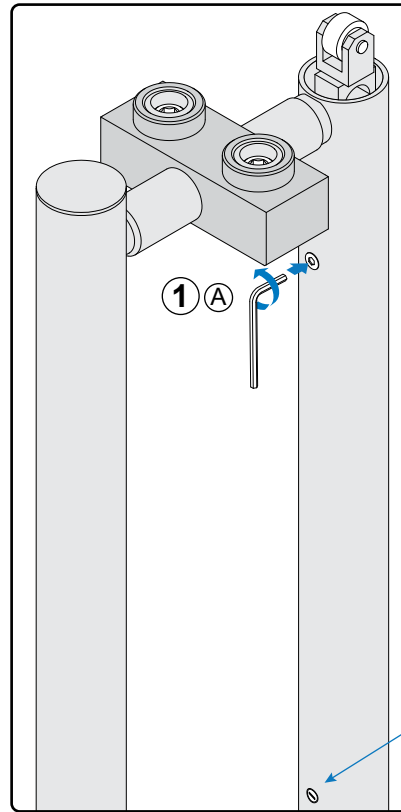
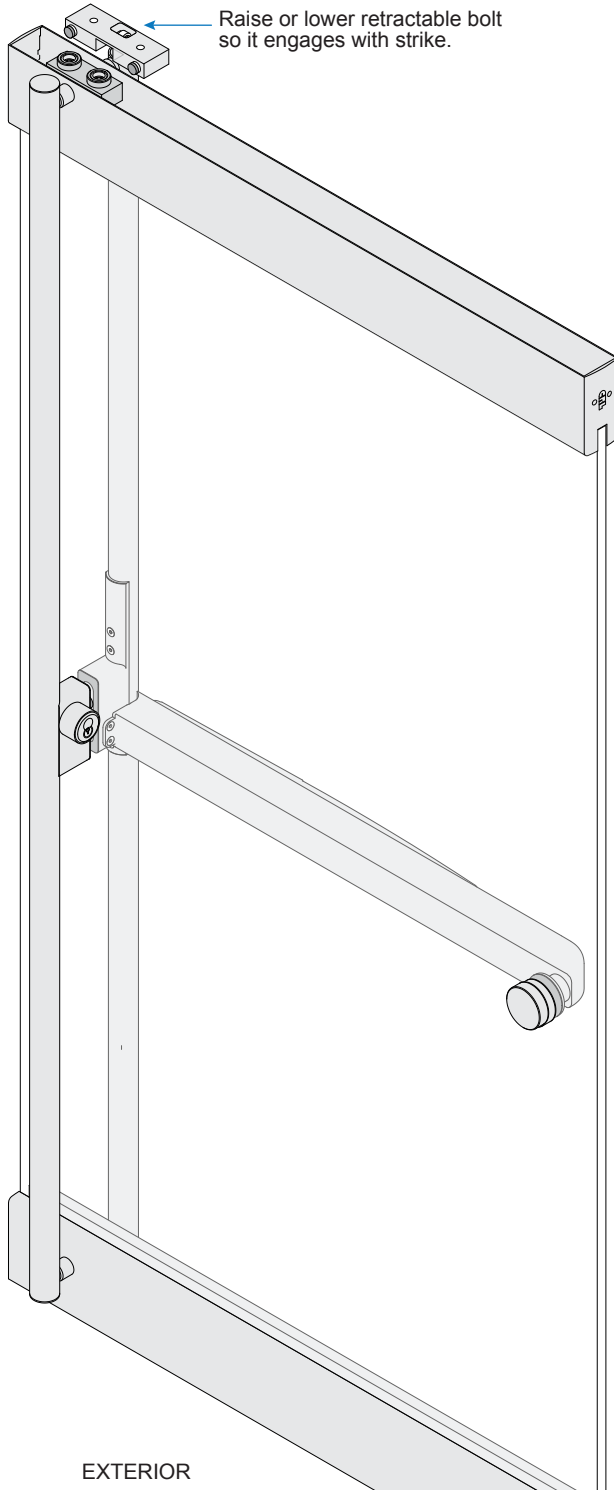
\* Loctite® is recommended on all screw threads during final assembly.

# ADJUST RETRACTABLE BOLT

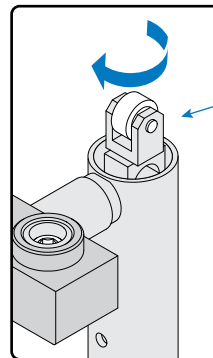
Hang door and install Strike. Adjust height of retractable bolt if needed.

- 1 Remove top Screw.
- 2 Rotate Bolt to raise or lower to desired height.
- 3 Replace top Screw and tighten securely.

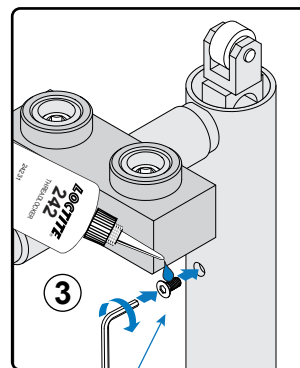
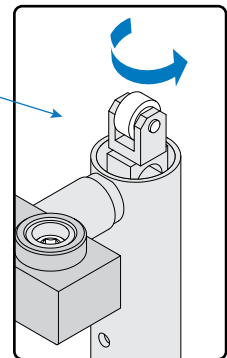
NOTE: EPA130F Handle Shown. Others similar.



IMPORTANT: Do Not Loosen or Remove this Slotted Screw.



2 Rotate Bolt full 360° turn in either direction to raise or lower to obtain desired height.



Replace Screw and tighten securely.

\* Loctite® is recommended on all screw threads during final assembly.

## HANDLE CARE AND CLEANING

### **Stainless Steel**

Mirror and Satin Polished Stainless Steel are two of the most durable and easiest finishes to maintain.

#### **Mirror Polished Stainless Steel:**

Mirror polished stainless steel finishes should be cleaned with a foam spray cleaner, such as: CRL Sprayway - SW841 Stainless Steel Polish & Cleaner cleans, that polishes and protects stainless steel without hard rubbing and polishing. Resists fingerprints, grease and water splatter. Helps preserve the factory finish.

Wipe with a clean, dry cloth such as the CRL 1550 Lint Free Shop Wipes that are made with four plies of strong, white paper and reinforced in both directions with an extra ply of tough nylon. These rugged towels will stand up to the most demanding shop work. 1550 Wipes can absorb many times their weight in liquids and are virtually lint-free.

For periodic maintenance, mirror stainless can be polished with CRL 1188AS Autosol® Shine which cleans, restores and polishes all metal surfaces and will protect against corrosion and tarnishing. Mild abrasives help to remove built-up tarnish, oxidation and even rust, leaving behind a protective coating, which helps to condition the metal and protect against corrosion while providing a longer lasting shine.

#### **Satin (Brushed) Stainless Steel:**

Satin (brushed) stainless steel finishes should be cleaned like Mirror Polished Stainless Steel, just with circular motions in the same direction as the grain texture.

For periodic maintenance, satin stainless steel can be rubbed with an abrasive pad, such as:

Scotch-Brite General Purpose Hand Pad 7447 by 3M, or Scotch-Brite Ultra Fine Hand Pad 7448 by 3M, or Scotch-Brite General Purpose Scrubbing Pad 9650 by 3M.

### **Matte Black Powder Coated Paint**

Matte surfaces are easy to maintain. Periodically clean the handles with mild liquid soap with a soft clean cloth. Rinse with clean water. Avoid waxes as they will leave shiny areas on your matte black surface and in time replace its matte finish with a splotchy polished one. Avoid cleansers that include wax or filling agents, waxes, solvents, abrasives, acids and other chemical based cleansers.