

INSTALLATION INSTRUCTIONS

CRL HYDROSLIDE SERIES SLIDING DOOR KIT MODELS HYDK60 AND HYDK84



NOTE: Glass and U-Channel not included.



2503 E. Vernon Avenue, Los Angeles, CA 90058-1826
(800) 421-6144 Fax (800) 262-3299
crlaurence.com

11M0407_1-10-20

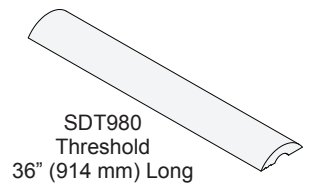
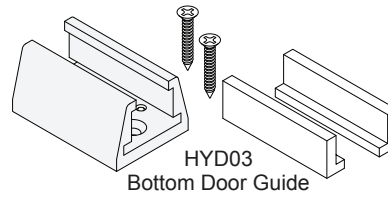
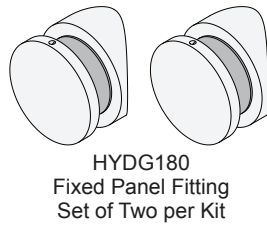
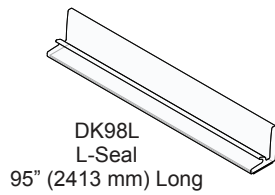
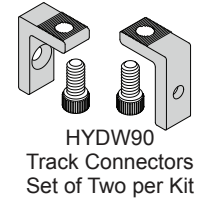
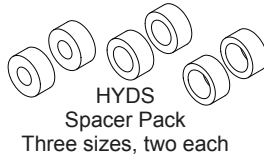
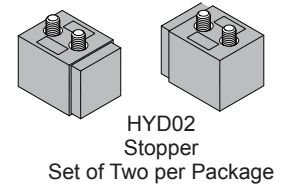
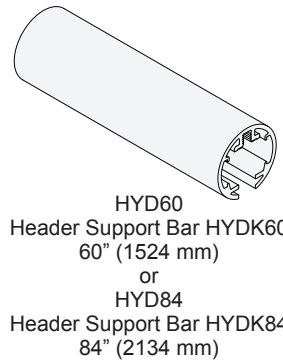
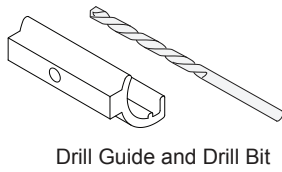
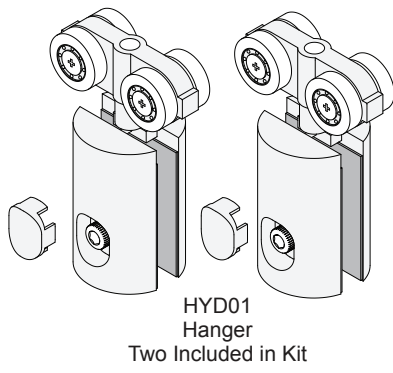
NOTE: This manual covers the installation for HYDK60 and HYDK84 180° Sliding Shower Kits. HYDK60 shown in examples. **Refer to 90° Instructions if enclosure has a 90° angle. Do not use this manual.**

ORDER OF ASSEMBLY AND INSTALLATION

PARTS LIST	3
SPECIFICATIONS	3
GLASS FABRICATION	4
SITE PREPARATION	5
Mark Location for Header Support Bar	5
FRAME FABRICATION	5
Cut and Drill Header Support Bar	5
HEADER SUPPORT BAR PREPARATION	6
Install Fixed Panel Fittings	6
Install Door Hangers	6
Install Door Stoppers	6
FRAME INSTALLATION	7
Mount Track Connectors	7
Install Header	7
Install Fixed Panel Curb Mounts	7
Install Fixed Panel	7
SLIDING DOOR INSTALLATION	8
Install Bottom Door Guide	8
Install Sliding Door	8
FINISHING	9
Position Door Stoppers	9
Install Hanger Trim Plates	9
Install Threshold (Optional)	9
Install L-Seal	9

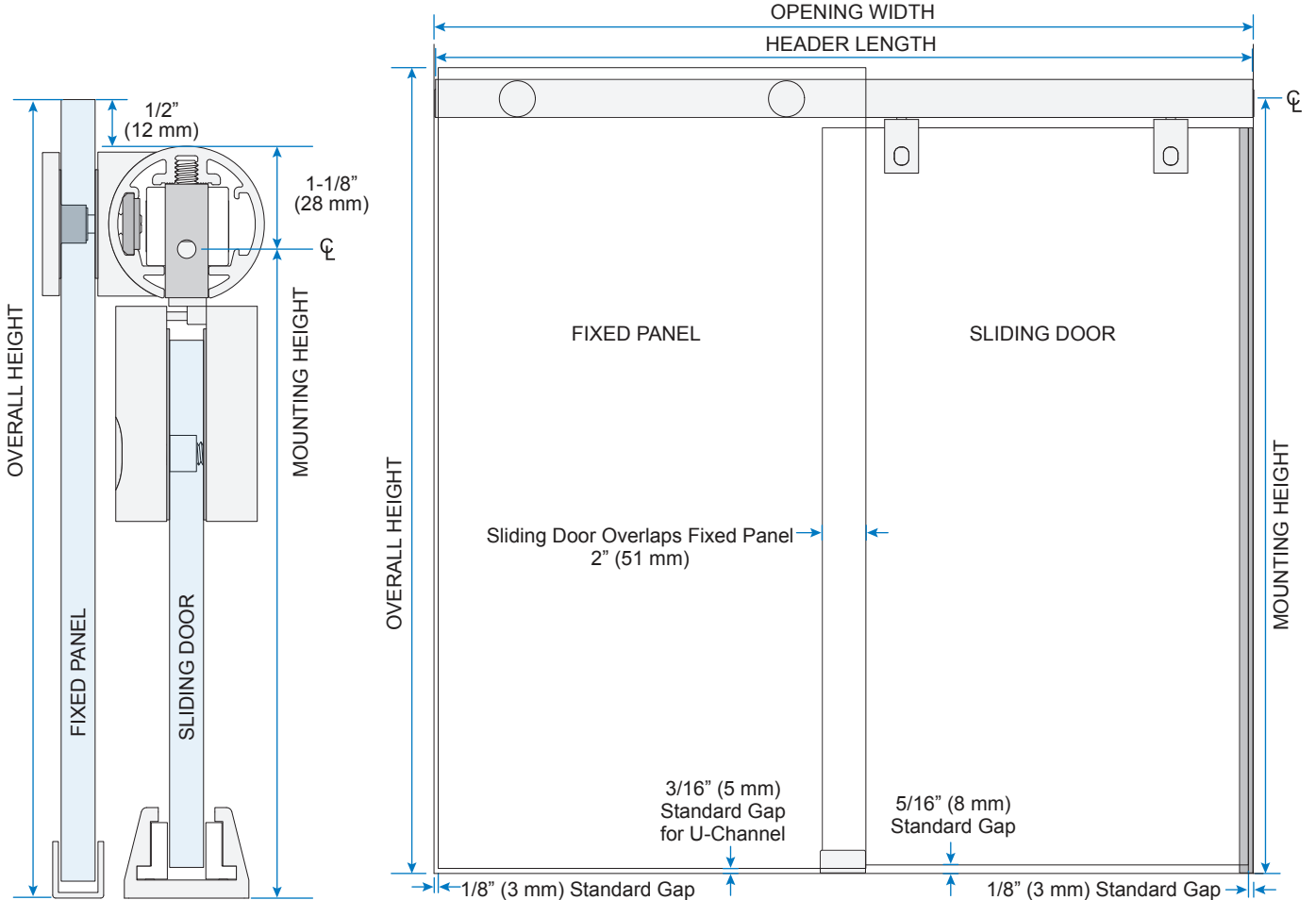
IMPORTANT: READ THIS MANUAL THOROUGHLY BEFORE BEGINNING INSTALLATION.

PARTS LIST



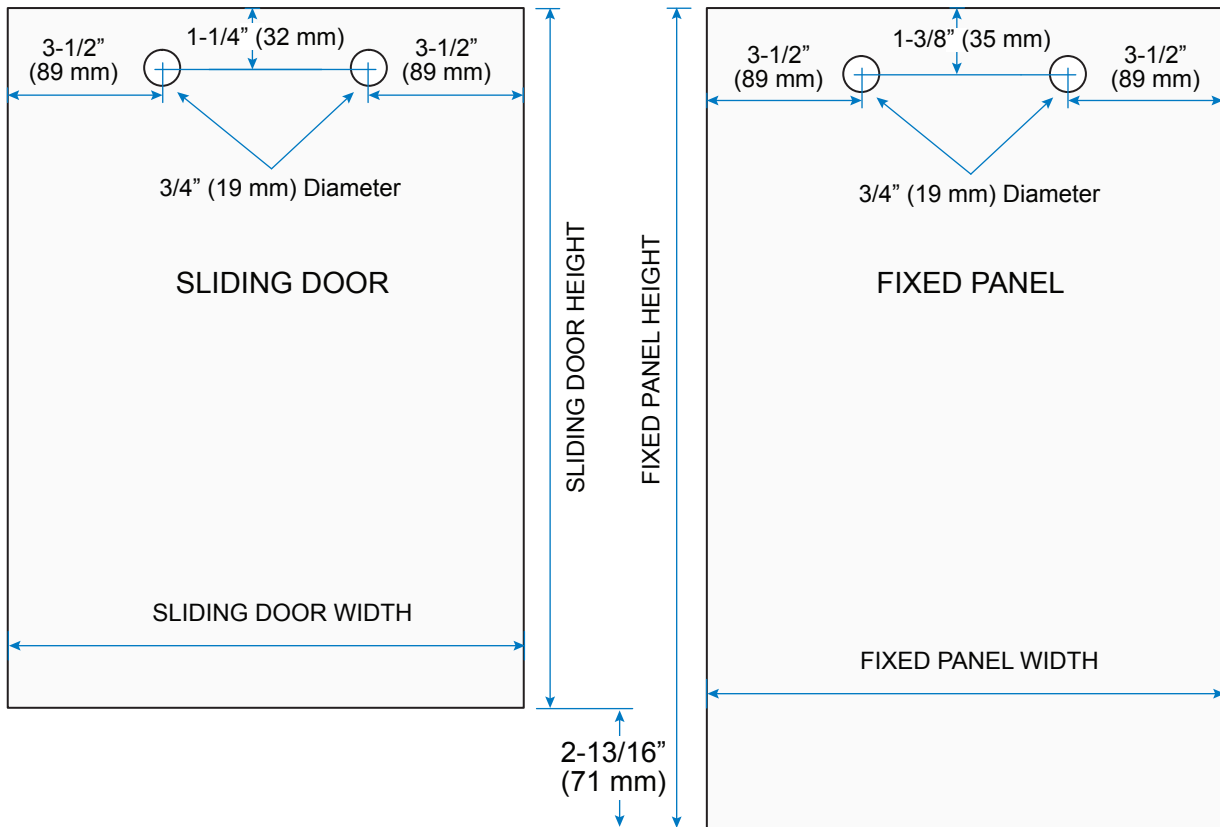
SPECIFICATIONS

Drawing not to scale. Shown from exterior.



GLASS FABRICATION

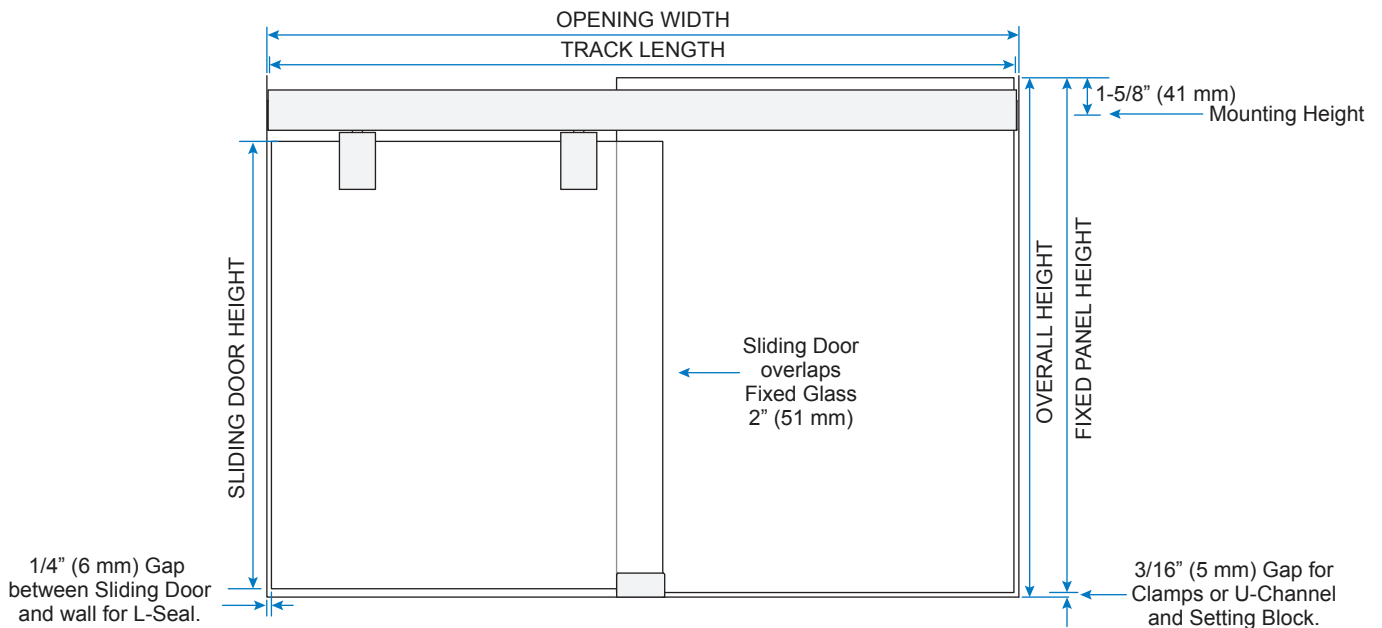
NOTE: For use with 5/16" to 3/8" (8 - 10 mm) Tempered Glass only. Do Not use Laminated Glass.



SLIDING DOOR AND FIXED PANEL WIDTH : Overall Width Divided by 2, plus 7/8" (22 mm)

FIXED PANEL HEIGHT : Overall Height minus 3/16" (5 mm)

SLIDING DOOR HEIGHT : Overall Height minus 3" (76 mm)

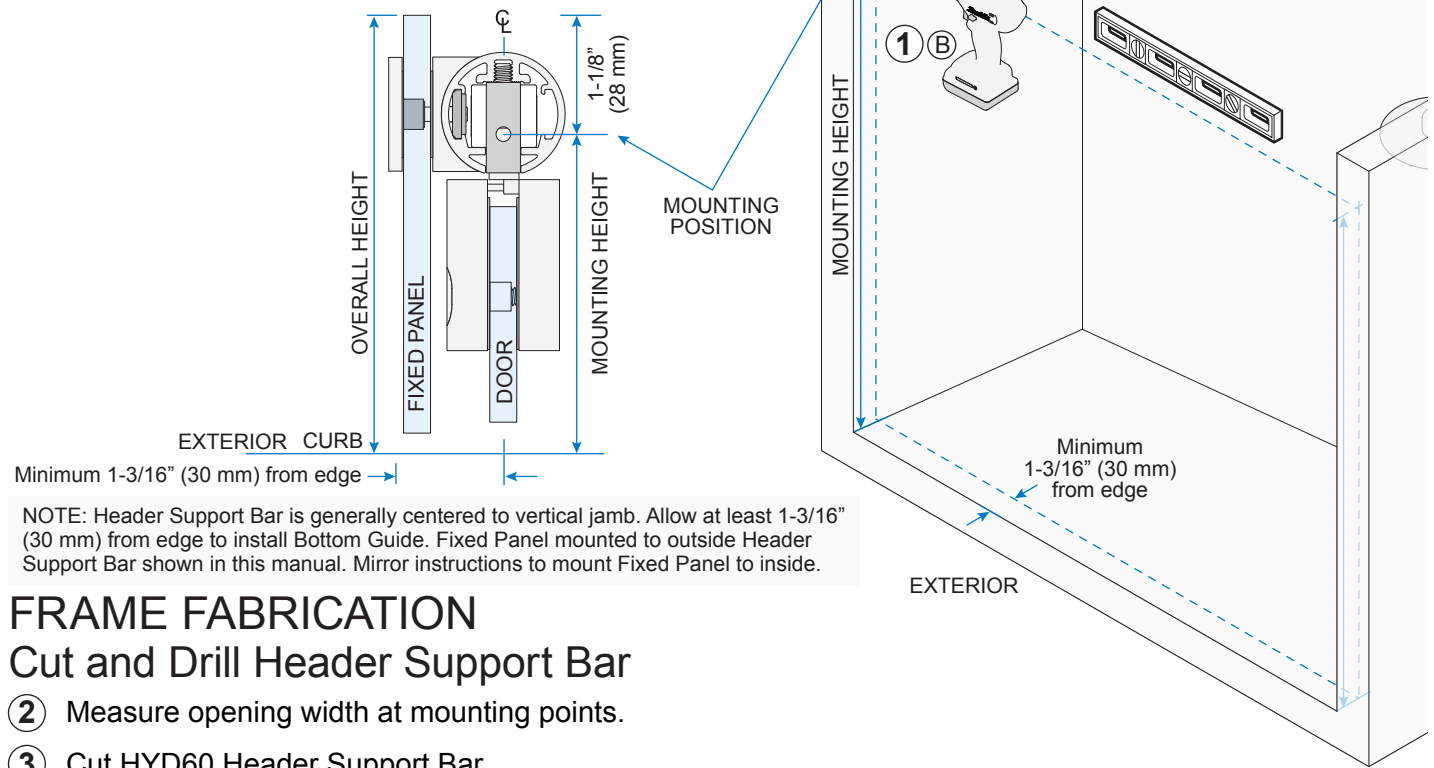


NOTE: Drawings not shown to scale. Track is cut 1/16" (1.5 mm) less than Opening Width and centered in opening. Overall Height is height from curb/floor to top of fixed glass. Drawings shown from interior.

SITE PREPARATION

Mark Location for Header Support Bar

- 1 Mark and drill holes for Header Support Bar.



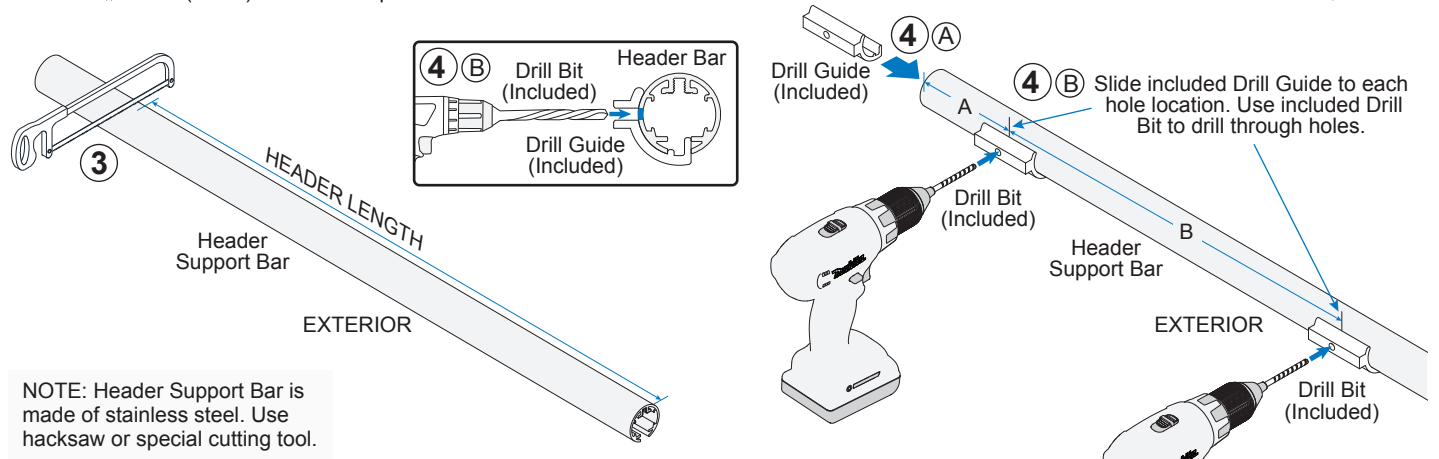
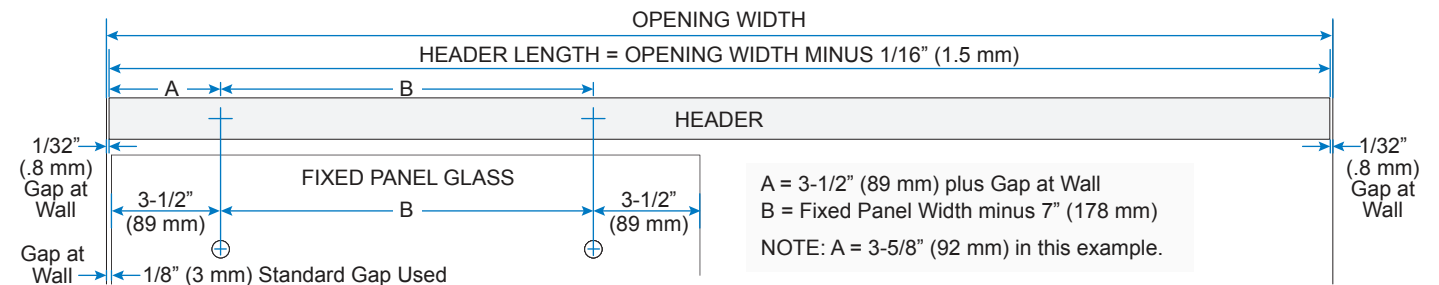
NOTE: Header Support Bar is generally centered to vertical jamb. Allow at least 1-3/16" (30 mm) from edge to install Bottom Guide. Fixed Panel mounted to outside Header Support Bar shown in this manual. Mirror instructions to mount Fixed Panel to inside.

FRAME FABRICATION

Cut and Drill Header Support Bar

- 2 Measure opening width at mounting points.
- 3 Cut HYD60 Header Support Bar.
- 4 Drill holes for Fixed Panel Fittings.

NOTE: Header Support Bar is cut 1/16" (1.5 mm) short from tight dimension and centered in opening, leaving 1/32" (.8 mm) gap on each end to mount. Refer to Fixed Panel Glass fabrication and gap allowance between Fixed Panel and wall to determine mounting hole placement.

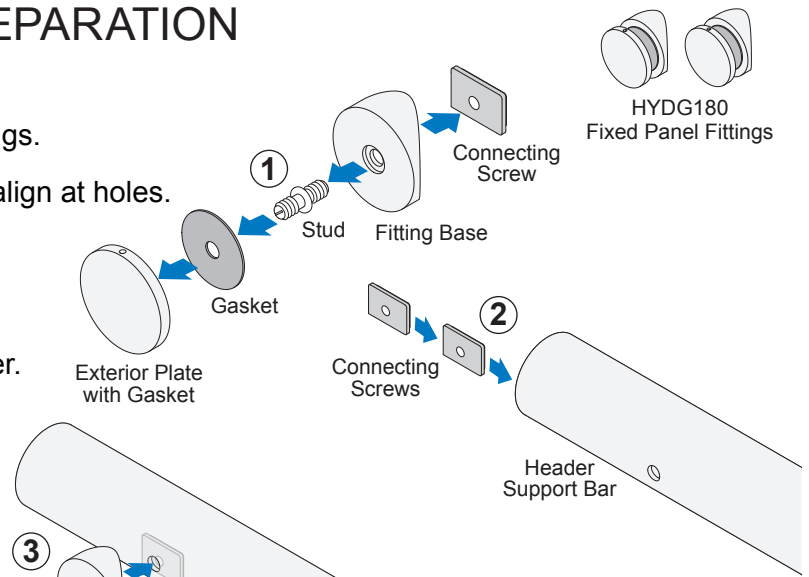


NOTE: Header Support Bar is made of stainless steel. Use hacksaw or special cutting tool.

HEADER SUPPORT BAR PREPARATION

Install Fixed Panel Fittings

- ① Unpack and disassemble Fixed Panel Fittings.
- ② Slide Connecting Screws into Header and align at holes.
- ③ Install Fixed Panel Fitting Base.



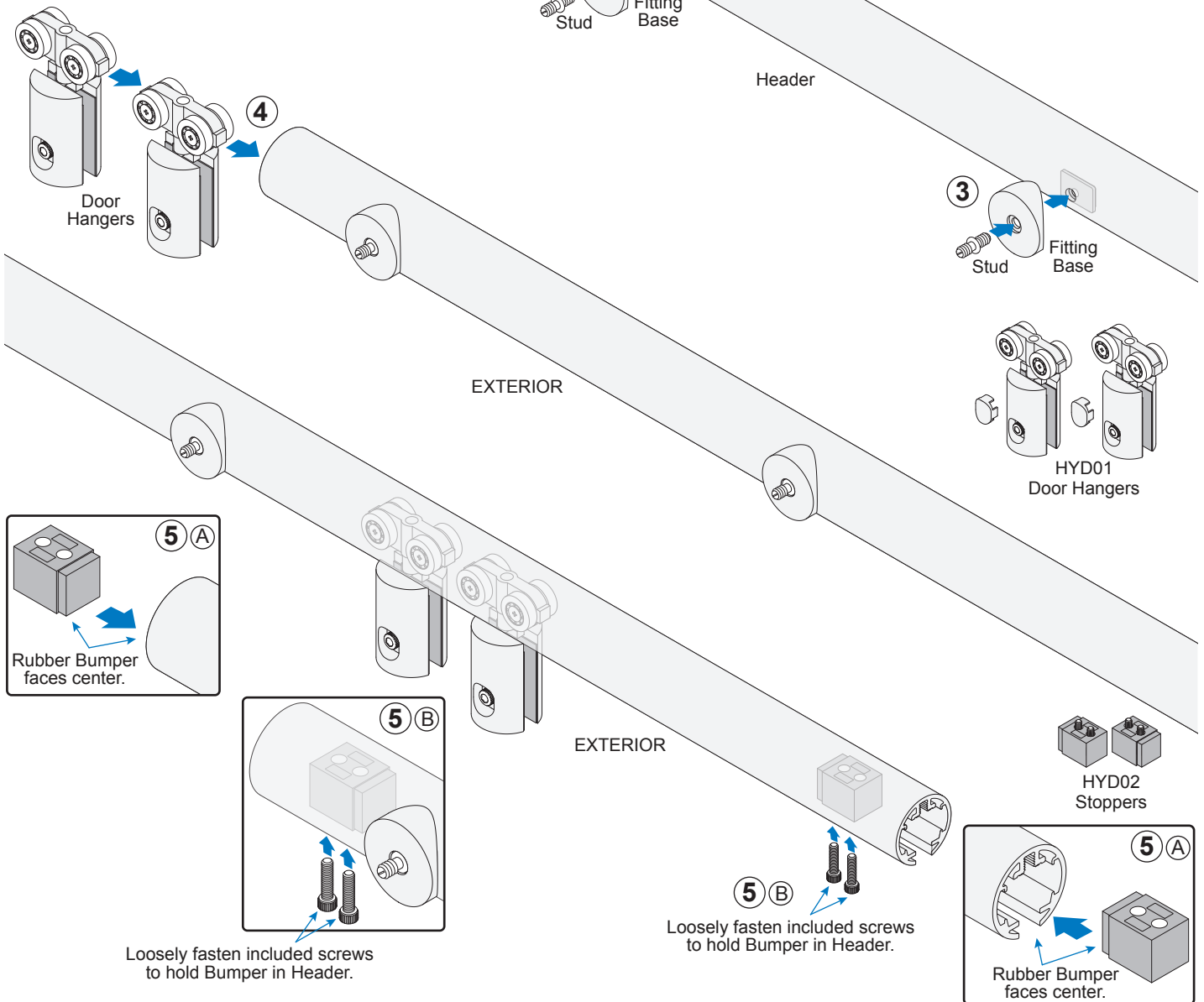
Install Door Hangers

- ④ Unpack and slide Door Hangers into Header.

Install Door Stoppers

- ⑤ Unpack and install Stoppers on each end of Header.

NOTE: Orient Stoppers with Rubber Bumpers facing center. Loosely secure in Header with included screws.



FRAME INSTALLATION

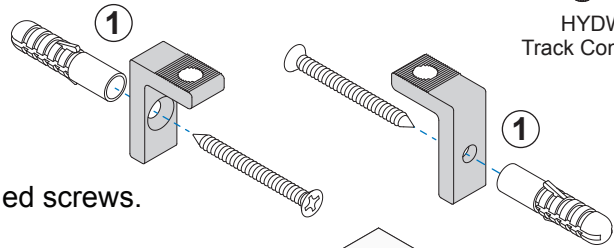
Mount Track Connectors

NOTE: Track Connectors shown orientated for installation. Supplied screw used to secure Header Support Bar.



- 1 Unpack Track Connectors and fasten to wall.

NOTE: Mounting fasteners suitable for substrate supplied by others.



Install Header

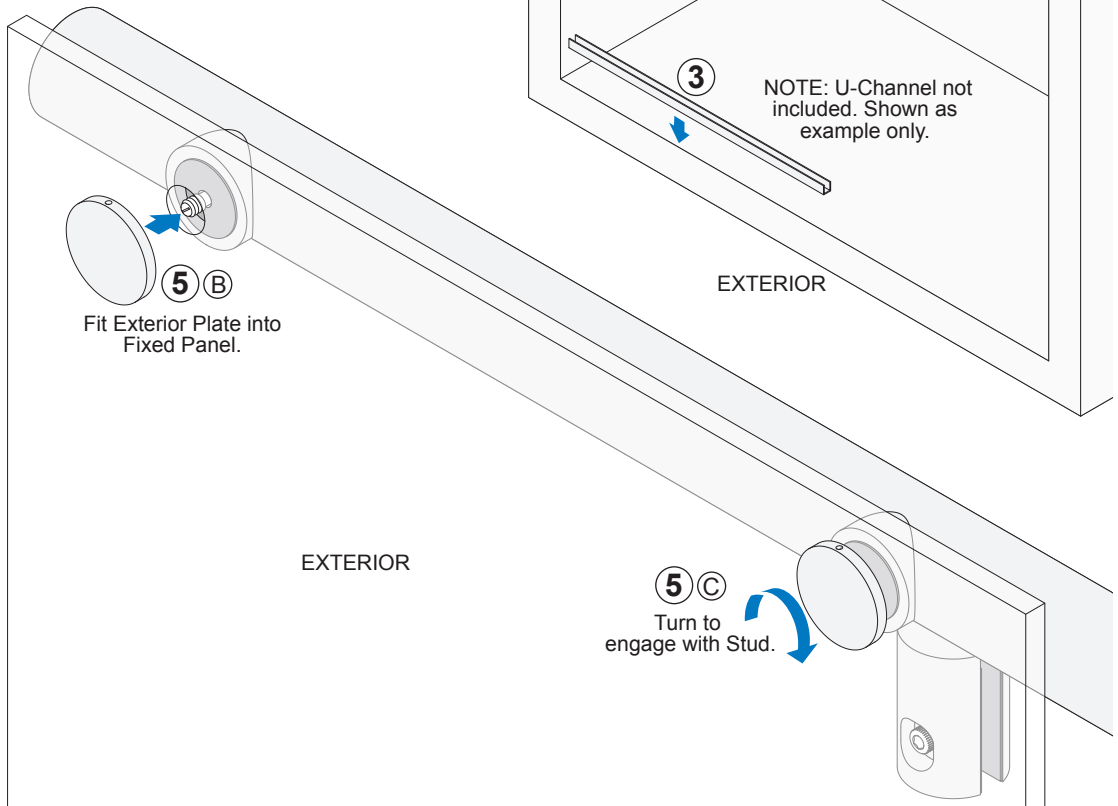
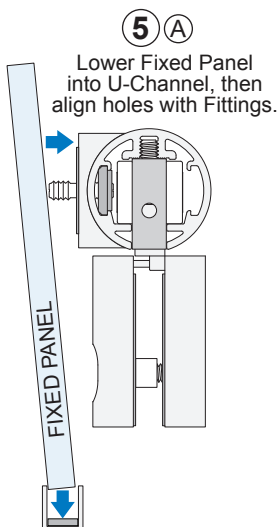
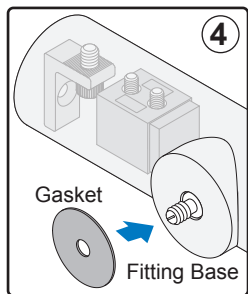
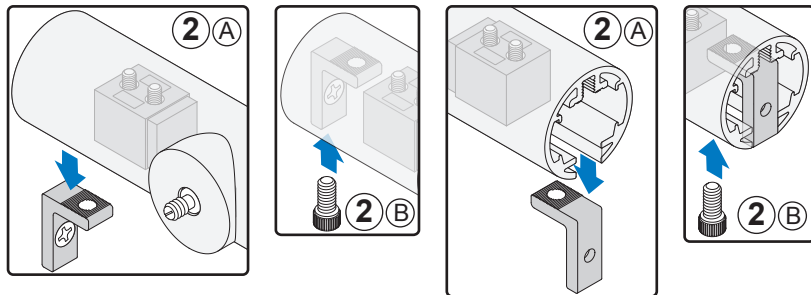
- 2 Rest Header on Connectors and secure with included screws.

Install Fixed Panel Curb Mounts

- 3 Mount Clamps or U-Channel on curb.

Install Fixed Panel

- 4 Place Gaskets on Fixed Panel Fitting Base.
- 5 Align holes in Fixed Panel with Fixed Panel Fittings. Install Exterior Plate and tighten Fittings.



SLIDING DOOR INSTALLATION

Install Bottom Door Guide

- 1 Unpack Bottom Door Guide and adjust for door width.

NOTE: Install and position inserts for 5/16" or 3/8" (8 or 10 mm) glass and tighten bottom set screws.

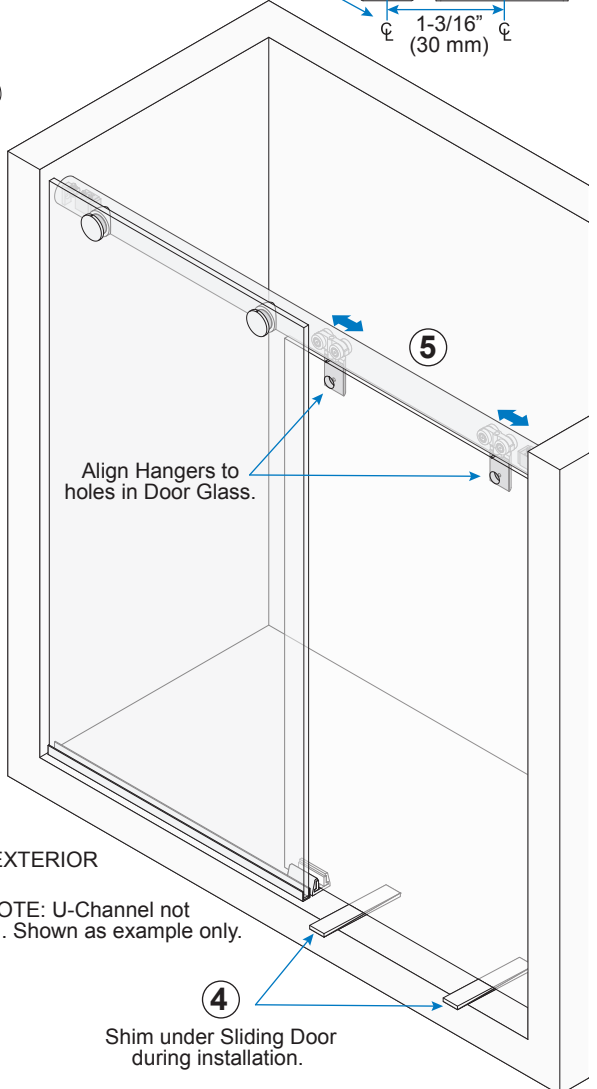
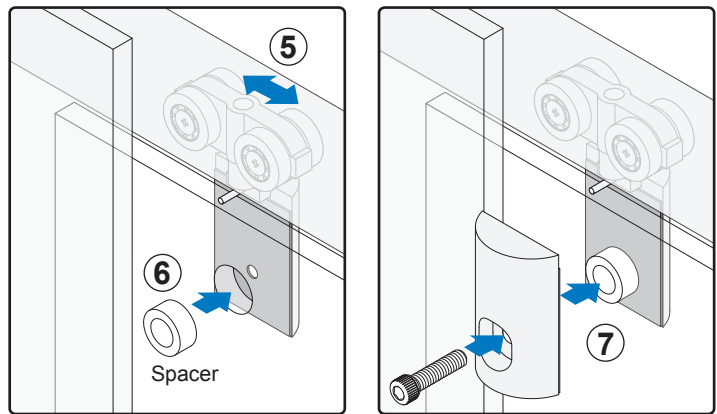
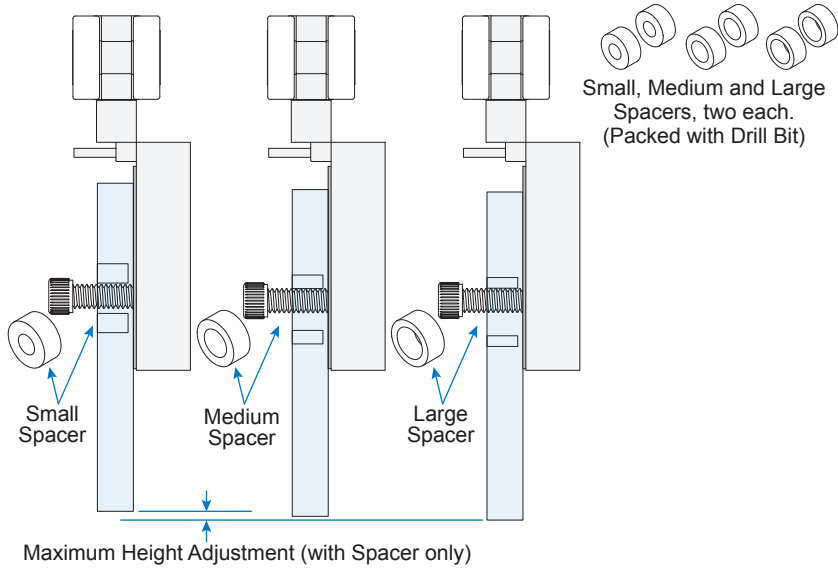
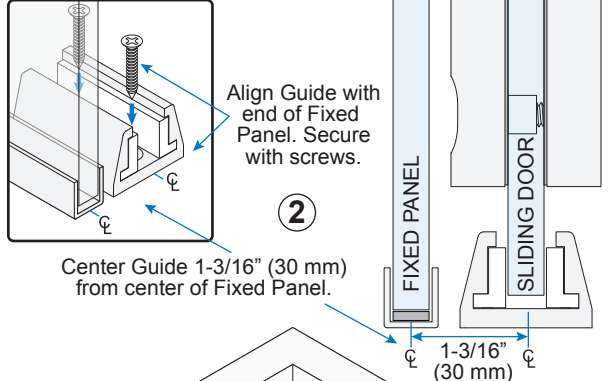
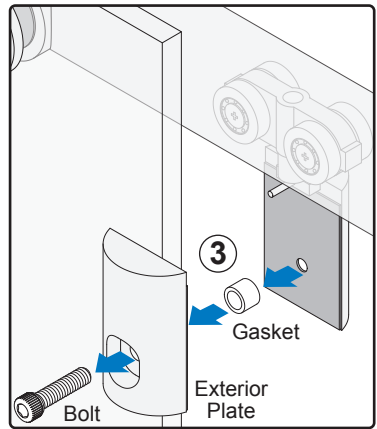
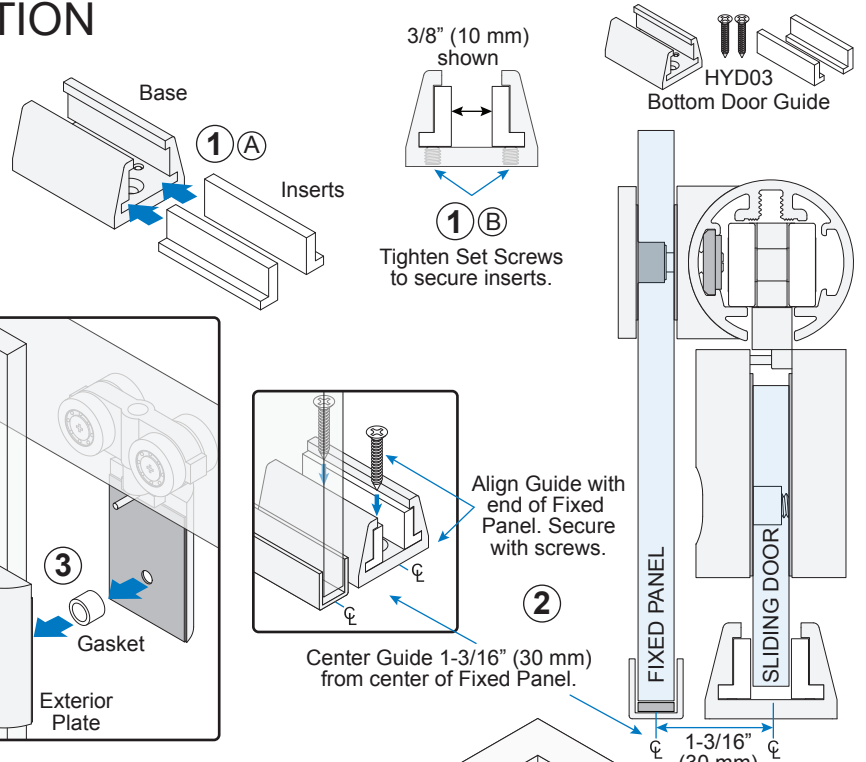
- 2 Install Bottom Guide.

Install Sliding Door

- 3 Remove Exterior Door Hanger Plates.
- 4 Set Door in opening on tapered wood shims.
- 5 Slide Hangers to align with holes in Door.
- 6 Select and install Spacers.

NOTE: Spacers determine Door height. Hangers only hold glass in place.

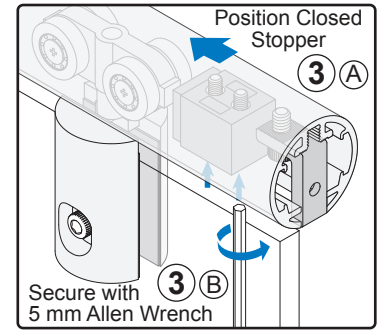
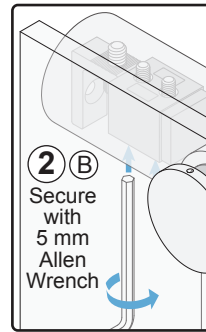
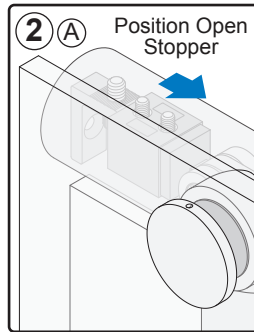
- 7 Install Exterior Door Hanger Plates.



FINISHING

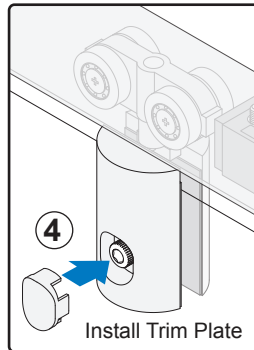
Position Door Stoppers

- ① Remove Shims from under door.
- ② Move Door to desired maximum open position. Slide Stopper so Rubber Bumper contacts Door Panel. Tighten securely.
- ③ Position and tighten second Stopper at maximum closed position.



Install Hanger Trim Plates

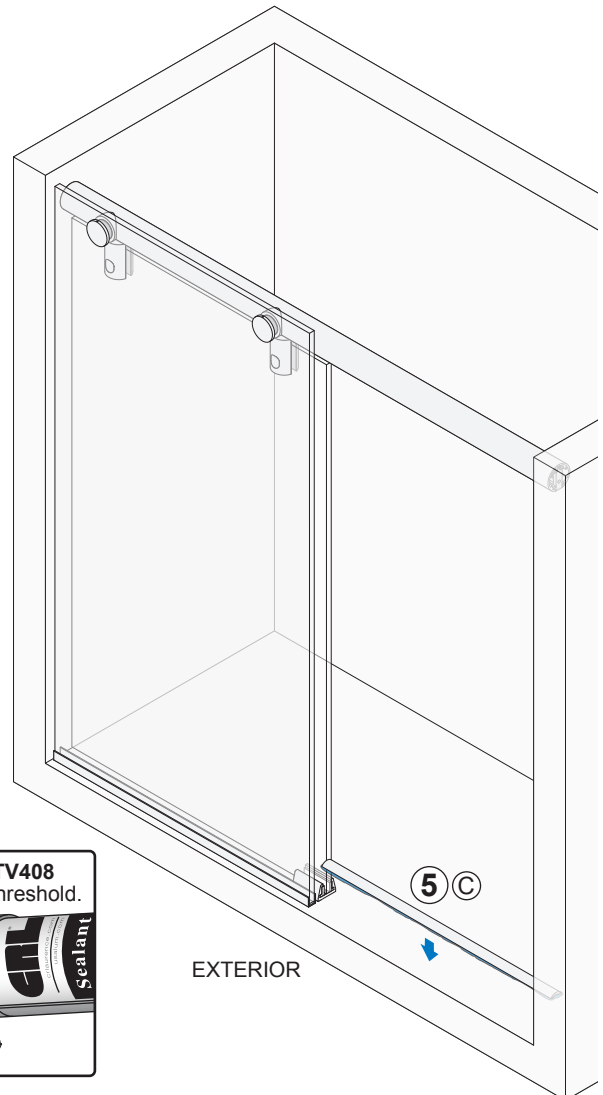
- ④ Install Hanger Trim Plates.



Install Threshold (Optional)

- ⑤ Cut and install Threshold.

NOTE: Threshold is made of stainless steel. Cut with hacksaw or special cutting tool.



Install L-Seal

- ⑥ Cut and install L-Seal.

