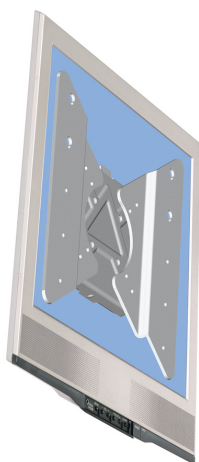


Installation Manual model # 51400

 **CLEAR VIEW**
M o u n t i n g S y s t e m s



Fixed LCD Mount

Low Profile
Fits Displays 13" to 40"

Meets VESA Standards 50/75/100, 100x200, 200x200
Supports Up to 70 lbs (31 kgs)



Systems Trading Corporation
450 7th Avenue Suite 2809, New York, NY 10123
Phone: (212) 239-8230 Toll Free: (800) 293-2923 Email: customerservice@stcnyc.com



BEFORE YOU BEGIN, MAKE SURE YOU CAREFULLY READ AND UNDERSTAND THE INSTRUCTIONS IN THIS MANUAL. This bracket system incorporates a snap in mount design. Our goal is to make this installation easy for you. Please follow the instructions in the order presented in this manual and be sure to observe all warnings and cautions.



IMPORTANT WARNINGS AND CAUTIONS!

! WARNING: A WARNING alerts you to the possibility of serious injury or death if you do not follow the instructions.

! CAUTION: A CAUTION alerts you to the possibility of damage to or destruction of the equipment if you do not follow the corresponding instructions.

WARNING: Failure to provide adequate structural strength for this component can result in physical injury and damage to equipment. It is the installer’s responsibility to make sure the structure to which this component is attached can support five times the combined weight of all equipment. Reinforce the structure as required before installing the component.

WARNING: Improper installation can result in serious physical injury. This mount has been tested to support 70 lbs (31kgs.) Do not exceed that weight.

WARNING: Safety measures must be observed at all times during the installation of this product. Use proper safety gear and tools during the installation process to prevent physical injury.

CAUTION: Do not install on a structure that is prone to vibration, movement or chance of impact. Doing so could result in damage to the flat panel display and/or mounting surface.

CAUTION: Do not install near a heater, fireplace, direct sunlight or any other source of direct heat. Doing so could result in damage to the flat panel display and could increase the risk of fire.

TABLE OF CONTENTS

| | |
|---|----|
| warnings and cautions | 1 |
| unpack | 2 |
| required tools | 2 |
| identify display mounting pattern | 3 |
| attach VESA plate | 4 |
| attach to larger displays | 5 |
| wall placement | 6 |
| attach to wood stud | 7 |
| attach to masonry walls | 8 |
| mount display to wall plate | 9 |
| secure | 10 |
| detach | 10 |
| warranty | 11 |



unpack

Make certain the following installation hardware and components are included. If any of the parts are missing or damaged please contact STC Customer Care at (800) 293-2923.
Parts are not shown actual size.

4x



M4 x 12mm screw, lock washer & washer



M4 x 30mm screw, lock washer & washer



M5 x 12mm screw, lock washer & washer



M5 x 30mm screw, lock washer & washer



M4/M5 large spacer

8x



M4 x 8mm screw
to connect wings to VESA plate

1x



M4 x 8mm safety screw



allen key

3x

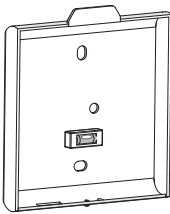


nylon anchor

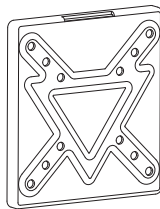


lag bolt

1x



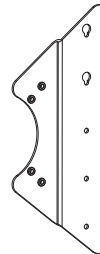
wall plate



VESA plate



left extension wing



right extension wing



required tools



power drill

+



5/32" (4mm) wood drill bit
or
1/4" (6mm) + 3/8" (10mm) masonry drill bits



stud finder



Phillips screw driver



tape measure



pencil



safety glasses

1

identify

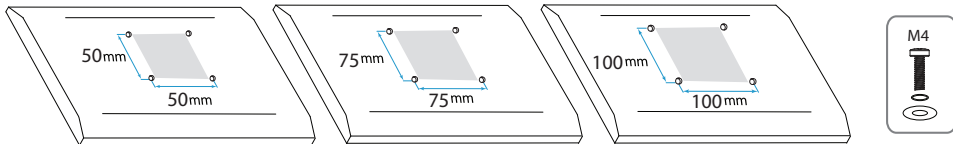


Unplug your display before you begin.
Invert the display and place it on a soft, padded, flat surface.

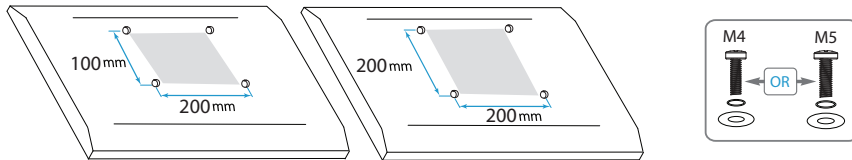
To ensure proper mounting of the brackets to your display, we have provided several sizes of screws and spacers that can be used in combination. Combinations are determined by the display back style (the area surrounding the mounting holes) and the diameter and depth of those holes.

mounting pattern

VESA patterns 50, 75 and 100 use M4 screws.

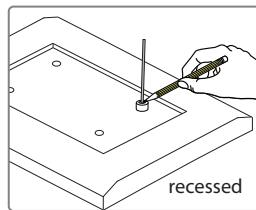
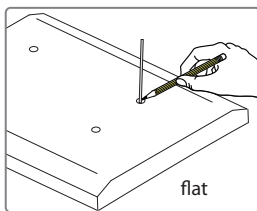


VESA patterns 100 x 200 and 200 x 200 use either M4 or M5 screws.



measure depth

Mark a toothpick or straw.



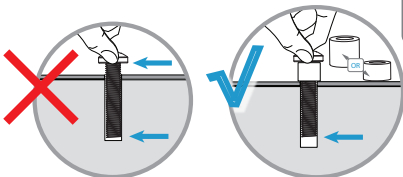
NOTE: Measure with spacer for displays with recessed backs.

2

test



Gently test all fasteners together, screwing them in by hand to ensure proper fit. Do not tighten. If there is any resistance, remove immediately and select alternate fasteners.



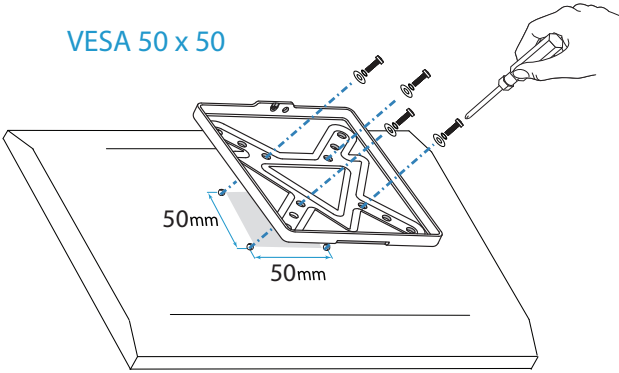
3

attach VESA plate

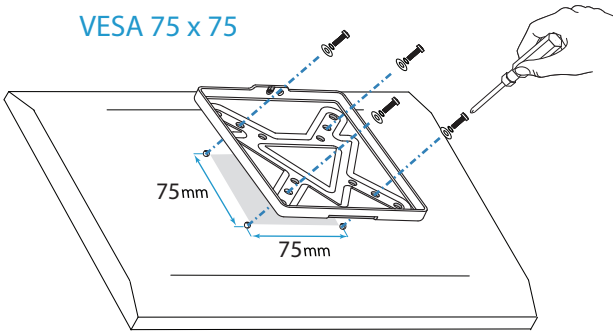


Tighten screws so VESA plate is firmly attached. DO NOT OVER TIGHTEN. Over tightening may damage your display.

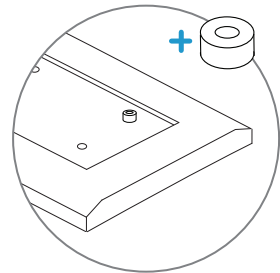
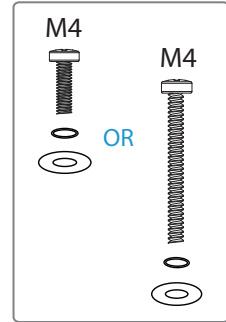
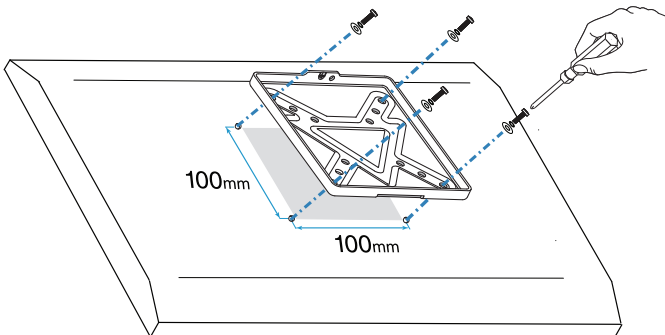
VESA 50 x 50



VESA 75 x 75



VESA 100 x 100

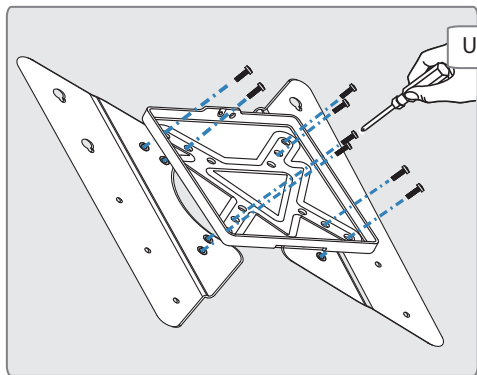


Place spacer directly on mounting holes of recessed display back.

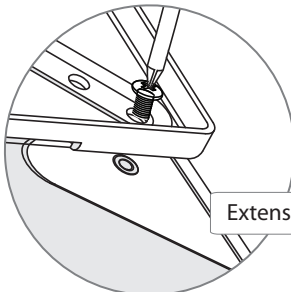
4

attach to larger displays

add extension wings



Use eight M4 x 8mm to attach extension wings to VESA plate.



8x



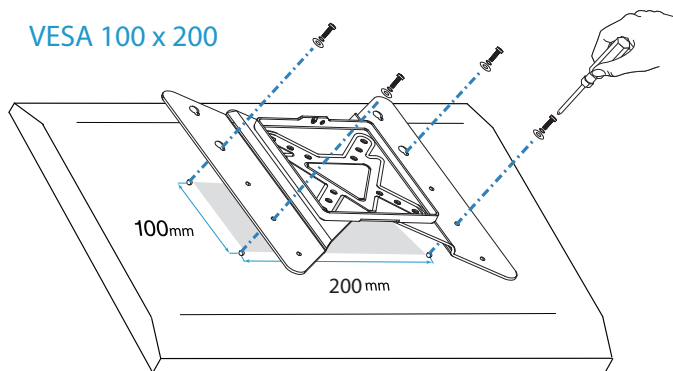
M4 x 8mm screw

Extension wings have built in hex nuts.

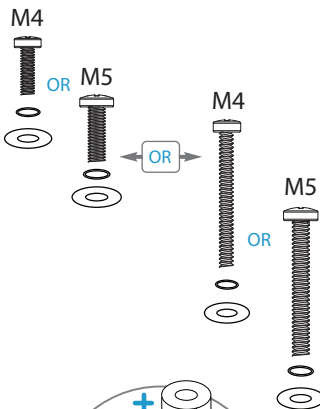
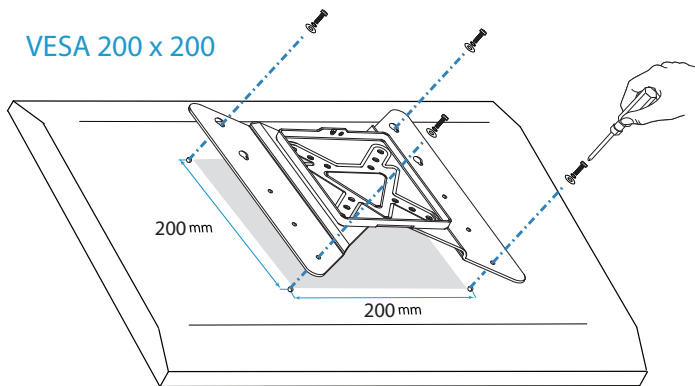


Tighten screws so VESA plate is firmly attached. DO NOT OVER TIGHTEN. Over tightening may damage your display.

VESA 100 x 200



VESA 200 x 200



Place spacer directly on mounting holes of recessed display back.

5 wall placement



BEFORE YOU BEGIN, MAKE SURE YOU CAREFULLY READ AND UNDERSTAND THE INSTRUCTIONS IN THIS MANUAL. This bracket system incorporates a snap in mount design. Our goal is to make this installation easy for you. Please follow the instructions in the order presented in this manual and be sure to observe all warnings and cautions.

Wall Placement:

When selecting a wall to mount your display, keep the following in mind:

- Select a place with easy access to power outlets, cable input sources, and connections for speakers and accessories.
- Avoid direct sunlight, heat and vibrations and do not place in direct flow of traffic.
- **SELECT A WEIGHT BEARING WALL.** The wall must be able to safely support four times the combined load of the equipment and all attached hardware and components.

Mounting Height:

The optimal viewing height is to center the display at eye level when seated. Many people consider this to be too low for a wall mount, and commonly use the following rule for placement:

Position the bottom of the display no higher than eye level when seated, and the top of the display no higher than eye level when standing. Anything within these limits should normally provide a comfortable viewing experience.

Wall Suitability:

The hardware included is suitable for mounting to walls made of brick, solid concrete, concrete block or wood studs covered with drywall. If your mounting situation is different, please consult a qualified installer or contact STC Customer Care at (800) 293-2923.

Wall Stability:

Carefully inspect the wall area you have selected. Examine the wall surface before you begin drilling.

- For concrete walls, check for damaged or loose concrete and do not drill in those areas.
- For brick or concrete block, never drill into the mortar between blocks.
- For wood studs, locate the wall studs and drill in the center of the stud.
- **DO NOT DRILL NEAR ELECTRICAL WIRING AND WATER PIPES.**

wood stud



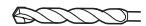
stud finder



Ø 5/32" (4 mm)
wood drill bit



masonry



Ø 1/4" (6 mm)
Ø 3/8" (10 mm)
masonry drill bits



nylon anchor

OR

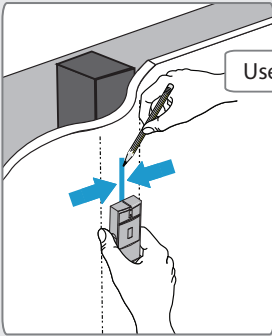


IMPORTANT: MAKE SURE THE WALL IS A WEIGHT BEARING WALL.

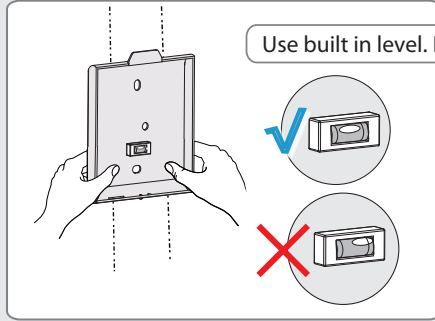
CAUTION: Failure to observe all safety precautions can result in serious physical injury and/or property damage. Consult a professional installer or contact STC Customer Care at customerservice@stcny.com or (800) 293-2923 if you have any questions.

6 attach wall plate a to wood stud

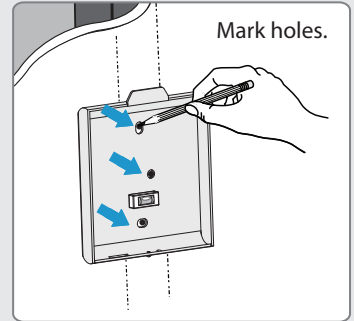
solid wood stud
(2" x 4")



Use commercially available stud finder to locate stud centers.



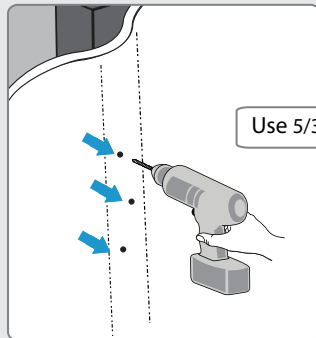
Use built in level. Position so bubble is centered.



Mark holes.



Avoid drilling near electrical wiring and water pipes. Mount must be attached to a weight bearing wall and must be installed directly onto center of wood stud. Failure to observe all safety precautions can result in serious physical injury and/or property damage. Consult a professional installer or call STC Customer Care at (800) 293-2923 if you have any questions.

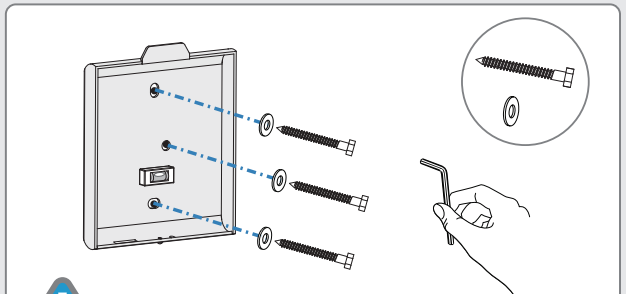
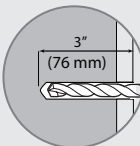


Use 5/32" (4 mm) wood drill bit to drill 3" (76 mm) pilot holes.



CAUTION: Wear safety glasses when operating power tools.

Ø 5/32" (4 mm)
wood drill bit

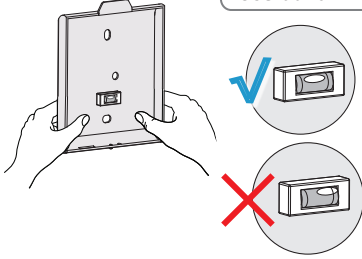


Tighten lag bolts so wall plate is firmly attached. DO NOT OVER TIGHTEN. Over tightening can damage screws, greatly reducing holding power.

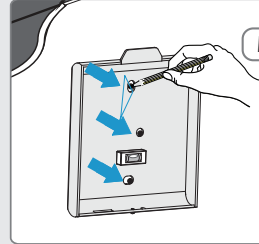
6 attach wall plate b to masonry walls

brick, concrete block or solid concrete (3000 psi)

Use built in level. Position so bubble is centered.



Mark holes.

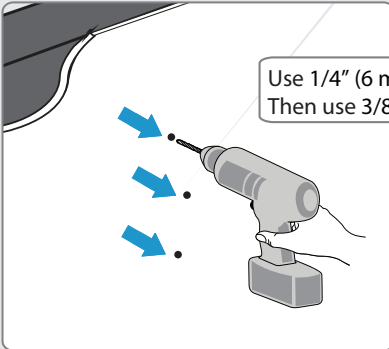


Avoid drilling near electrical wiring and water pipes. Mount must be attached to a weight bearing wall. Failure to observe all safety precautions can result in serious physical injury and/or property damage. Consult a professional installer or call STC Customer Care at (800) 293-2923 if you have any questions.



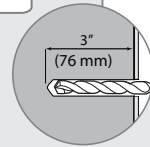
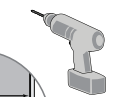
CAUTION: Wear safety glasses when operating power tools.

Use 1/4" (6 mm) masonry drill bit to slowly drill 3" (76 mm) pilot holes. Then use 3/8" (10 mm) masonry drill bit to expand pilot holes.

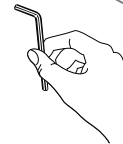
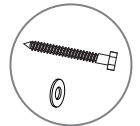
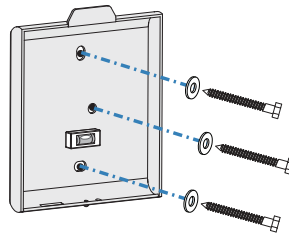
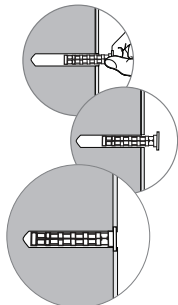
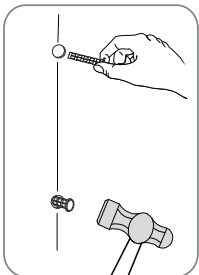


Do not drill into mortar between bricks or concrete blocks or into loose concrete.

Ø 1/4" (6 mm)
Ø 3/8" (10 mm)
masonry drill bit

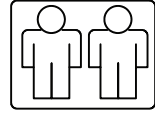


Insert anchors. Use hammer until completely flush to concrete surface, even if covered by a layer of drywall or other material.

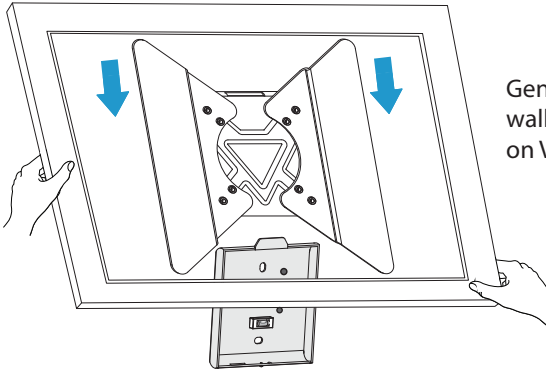


Tighten lag bolts so wall plate is firmly attached. DO NOT OVER TIGHTEN. Over tightening can damage screws, greatly reducing holding power.

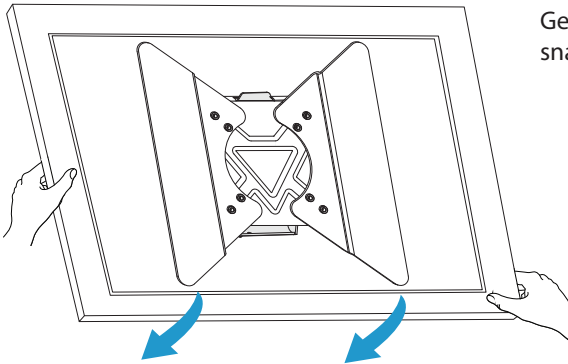
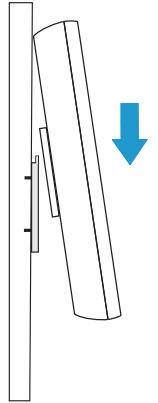
NOTE: Plug in cables before mounting the display as they may be hard to reach afterwards.



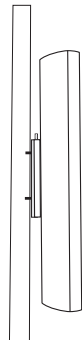
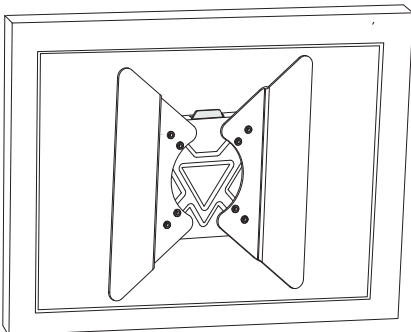
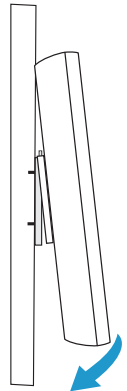
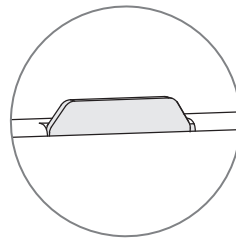
Use two or more people to lift large or heavy displays.



Gently lower display. Make sure wall plate tab is inserted into slot on VESA plate.

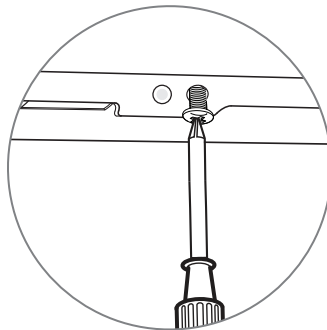
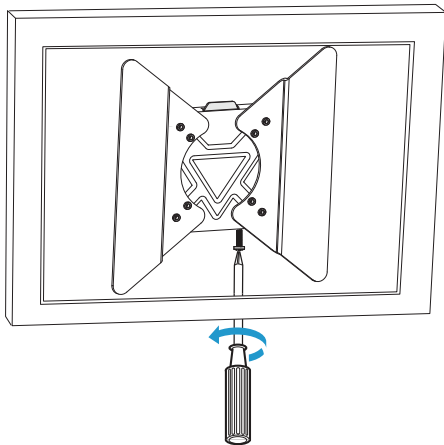


Gently push VESA plate until it snaps together with wall plate.



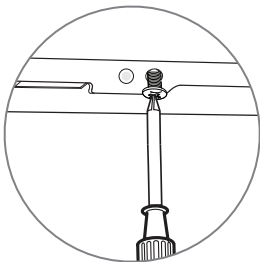
8 secure

Use M4 x 8mm safety screw to secure.

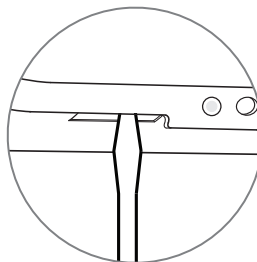


9 detach

Remove safety screw.



Slide flat screw driver and gently pull towards VESA plate until the two plates release.



LIFETIME WARRANTY

STC warrants that it will replace or repair this item, free of charge, at STC's sole discretion, should it prove defective in materials or workmanship.

If a claim is made under this warranty, the mount should be returned, freight prepaid, with the original purchase receipt to your dealer or to a Space Saver distributor.

This warranty does not apply to:

- Normal wear and tear
- Friction damage
- Coating defects
- Defects caused by loosened screws, nuts or bolts
- Improperly mounting the bracket to the wall
- Improperly installing the bracket to the display
- Failure to properly follow installation instructions
- Modification or repairs not made or authorized by STC
- Loading beyond permitted load
- Intentional misuse



Systems Trading Corporation
450 7th Avenue, Suite 2809, New York, NY 10123
Phone: (212) 239-8230 Toll Free: (800) 293-2923 Email: customerservice@stcny.com

Copyright © 2007, Systems Trading Corporation, All rights reserved.