

250, 400 AND 550 DOOR GLAZING PROGRAM

SAFETY FIRST

WEAR PROTECTIVE



NOTE: Glass Handling Safety Training is required for all installers.
PERSONAL PROTECTIVE GEAR REQUIRED

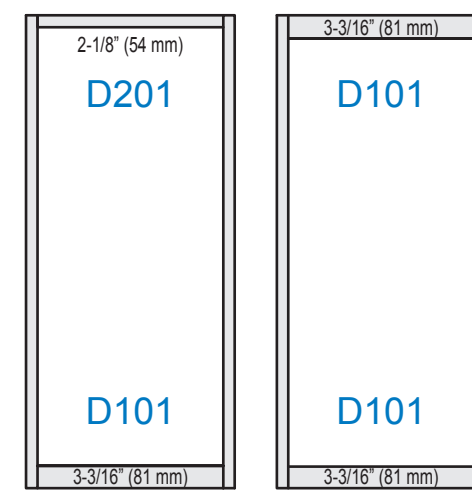


SELECT

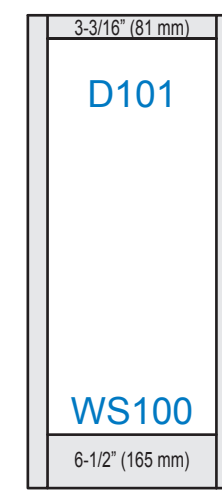
ASSEMBLE

SELECT DOOR BLANK

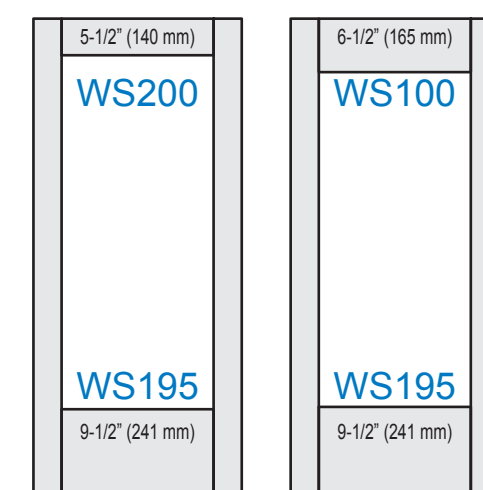
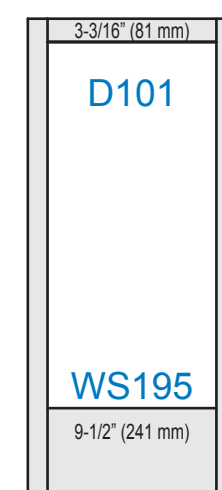
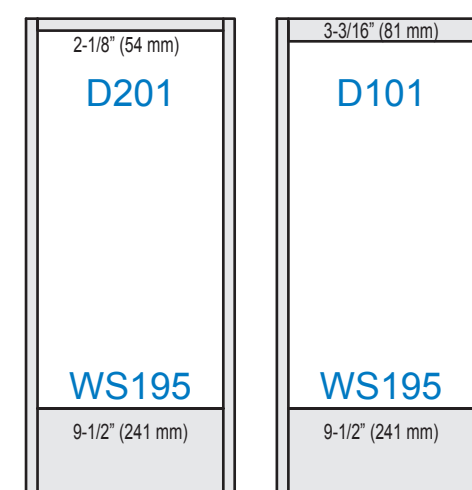
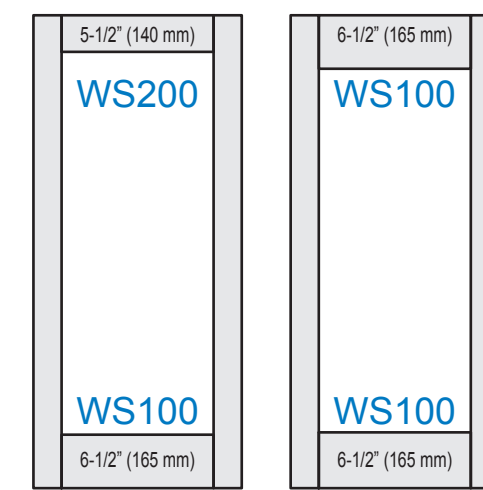
250 NARROW STILE



400 MEDIUM STILE



550 WIDE STILE



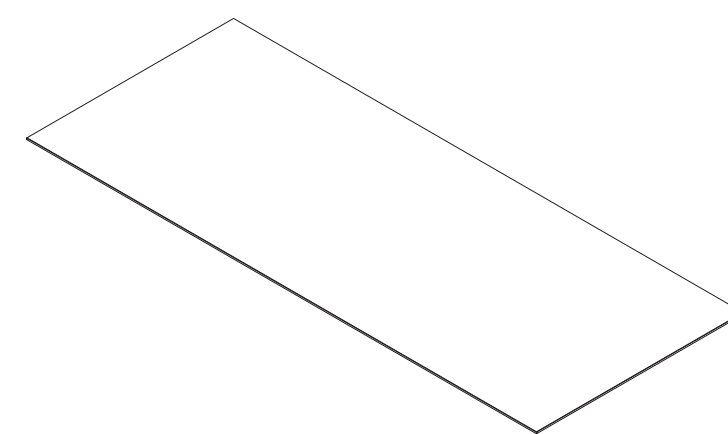
CUT GLASS

1/4" (6 mm) GLASS

Formula: DLO + 5/8" (16 mm)

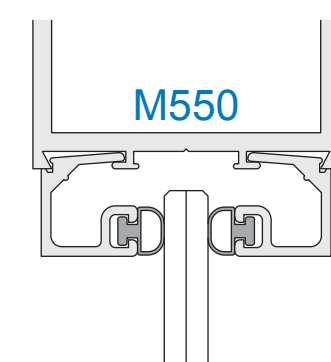
5/16" (8 mm) GLASS

NOTE: For 5/16" (8 mm) Glass, Follow All Details for 1/4" (6 mm) Glass.

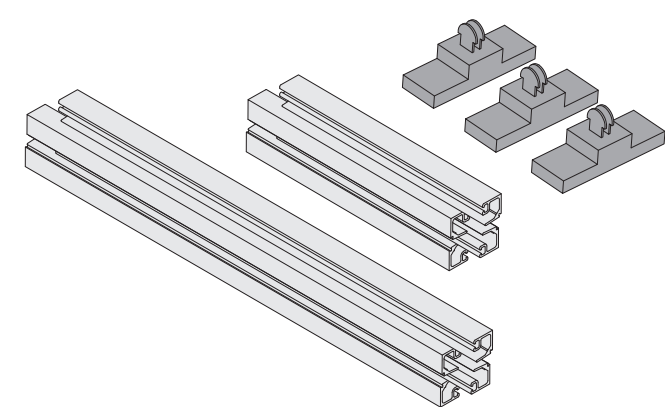


SELECT GLASS STOP KIT

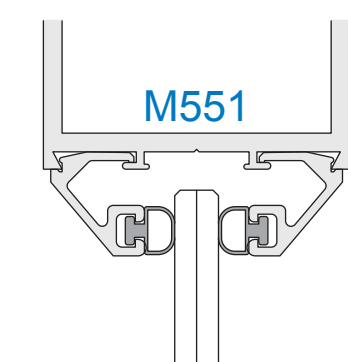
1/4" (6 mm) SQUARE



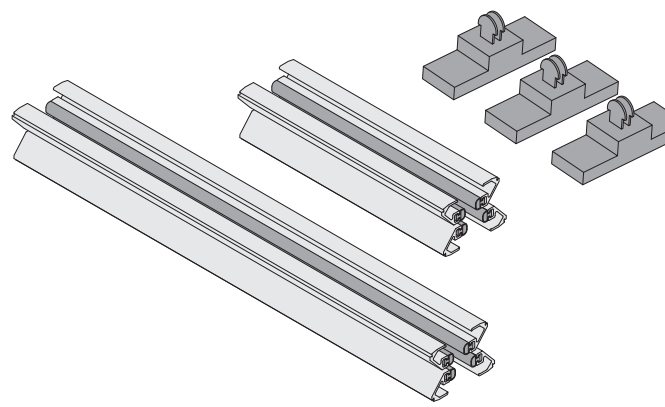
Kit Includes:
4 Vertical Glass Stops with Gasket
4 Horizontal Glass Stops with Gasket
3 Edge Blocks



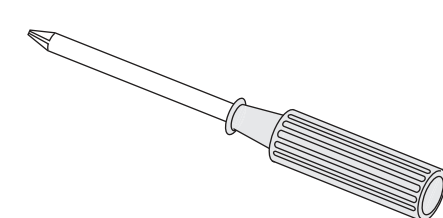
1/4" (6 mm) TAPERED



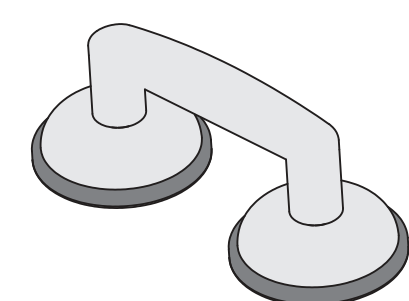
Kit Includes:
4 Vertical Glass Stops with Gasket
4 Horizontal Glass Stops with Gasket
3 Edge Blocks



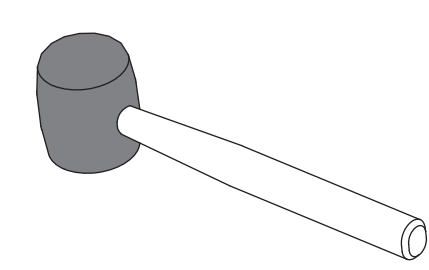
SELECT TOOLS



PHILLIPS SCREWDRIVER



VACUUM LIFTERS

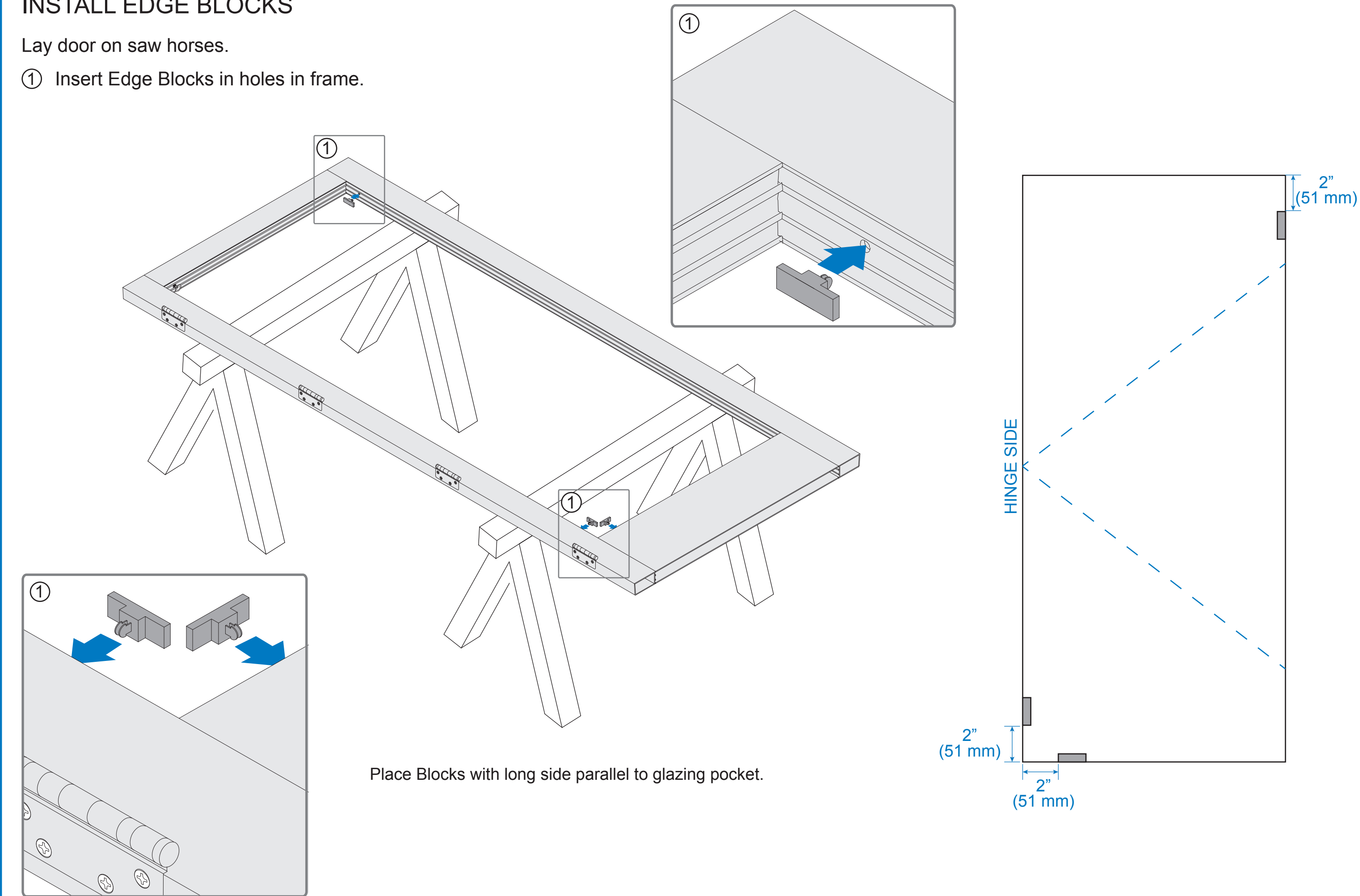


RUBBER MALLET

INSTALL EDGE BLOCKS

Lay door on saw horses.

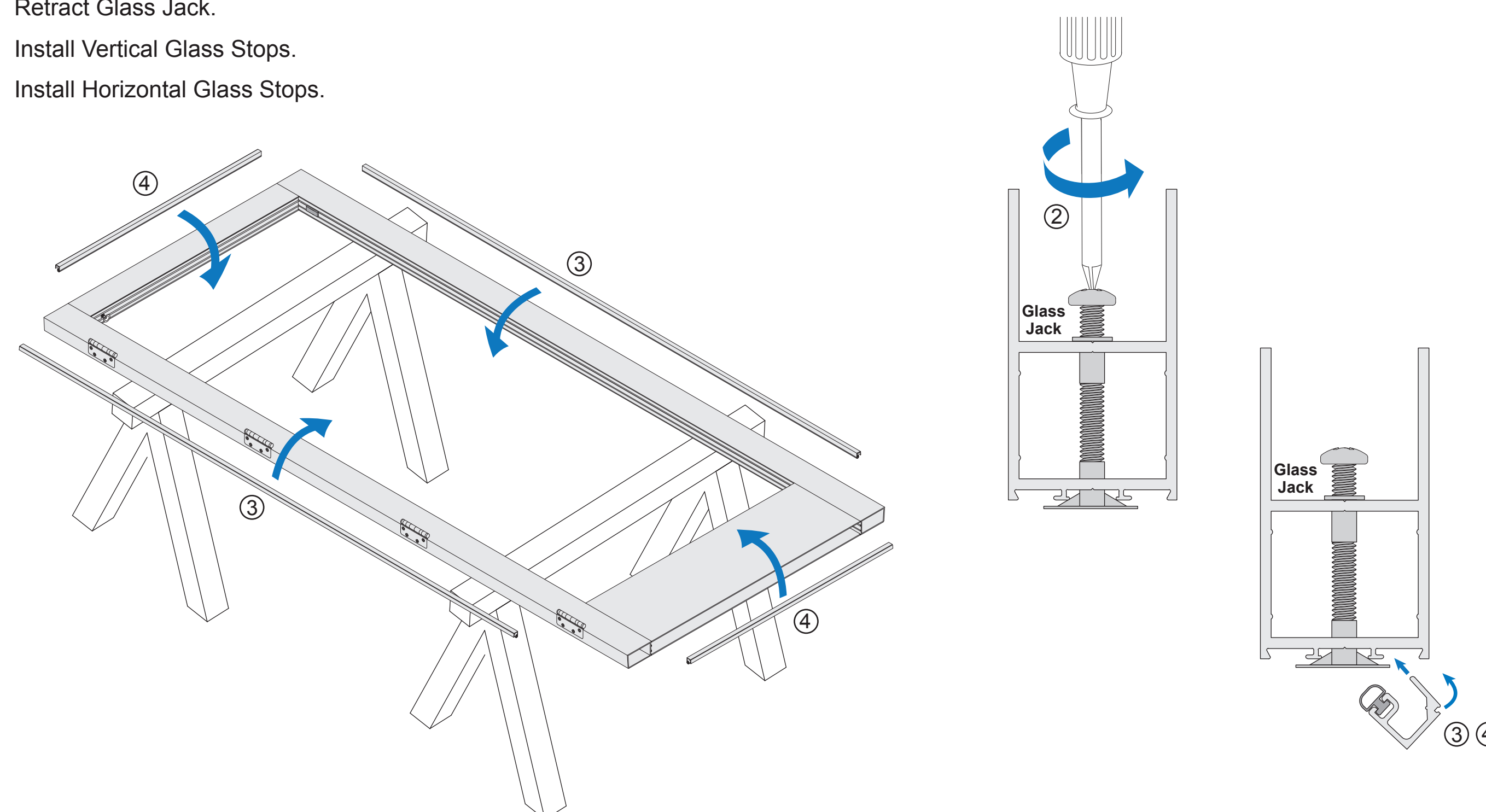
- 1 Insert Edge Blocks in holes in frame.



Place Blocks with long side parallel to glazing pocket.

PREPARE DOOR

- 2 Retract Glass Jack.
- 3 Install Vertical Glass Stops.
- 4 Install Horizontal Glass Stops.



INSTALL GLASS

- 5 Install and center glass.
- 6 Tighten Glass Jack so it rests lightly on glass.
- 7 Install Vertical Exterior Glass Stops.
- 8 Install Horizontal Exterior Glass Stops.

