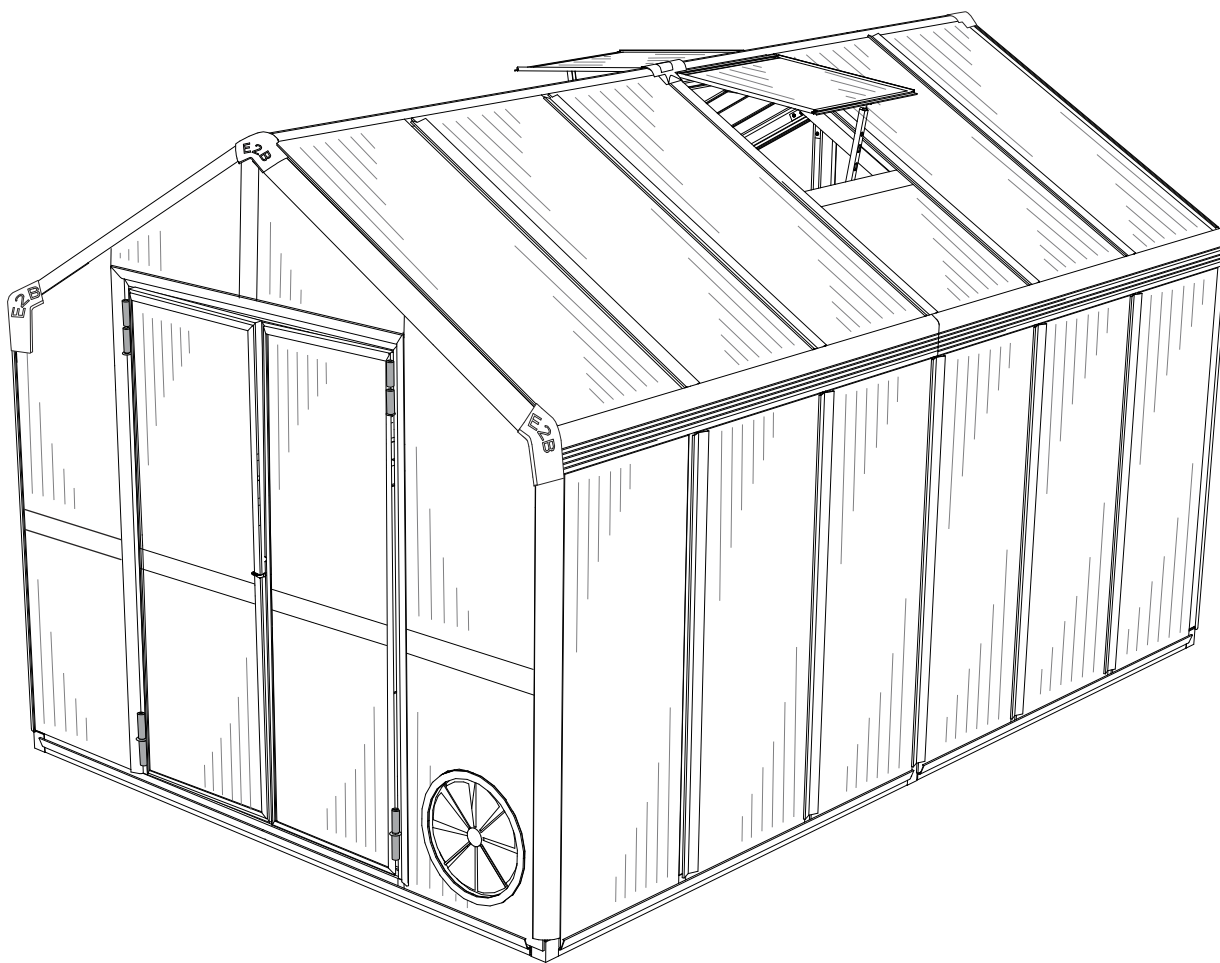


# Kennsington Classic™



8' x 12' Greenhouse

Assembly Instructions



Systems Trading Corporation  
450 7th Avenue Suite 2809, New York, NY 10123  
Customer Service: (877) 407-9100 ext 1 Email: [customerservice@stcaustin.com](mailto:customerservice@stcaustin.com)



# Introduction

Thank you for purchasing your Kennsington Classic™ 8x12 Greenhouse. This model features two roof vents and a circular air vent to ensure proper ventilation. We have also included an automatic vent opener to help you maintain optimal temperature effortlessly. When properly assembled and maintained, this greenhouse will provide years of enjoyment.

These instructions include helpful hints and important information needed to safely assemble and properly maintain the greenhouse. Please read these instructions completely before you begin.

Our patented greenhouse has been designed to be easily assembled. All but one step can be completed by one person. You will need assistance from another person to attach the roof. Although the greenhouse can be assembled in six to eight hours, we recommend you take your time and make it a weekend project.

## Before Starting Assembly:

**CAREFULLY READ ALL INSTRUCTIONS BEFORE YOU BEGIN AND FOLLOW THE STEPS IN THE ORDER THEY ARE PRESENTED.**

### 1. Make sure you have all the necessary parts:

Compare the contents of the three cartons to the List of Parts. If any parts are missing or damaged or you have any questions, please contact Customer Service by phone at (877) 407-9100 ext. 1 or by email at [customerservice@stcaustin.com](mailto:customerservice@stcaustin.com) before beginning assembly.

### 2. Lay the parts out in separate staging areas:

The List of Parts has the corresponding step number referenced to each part. We recommend that while you go through the list, make staging areas for each step and place the parts necessary for step in these areas. This will save you time and effort during assembly.

### 3. Select a Location:

When selecting a site for your greenhouse, a flat level area is essential and if possible, with proper water drainage and easy access to power and water necessary for greenhouse gardening.

Choose a sunny, level position away from overhanging trees and power lines and protected from the wind as much as possible. The location should be away from structures that could cause snow to drift on or around the greenhouse.

Locate underground pipes or cables before preparing the site or anchoring the greenhouse.

Note: You may assemble the greenhouse on a hard level surface and move it to its final position when finished. Make sure there are no obstacles between the assembly area and the final position.

### 4. Prepare a Foundation:

After choosing a location, proper preparation of the site is essential. The site must be level. If the site is not level, create a base slightly larger than the outside dimensions of the greenhouse using a perimeter of two by fours filled with either soil, sod or gravel. Make sure the base is square by measuring the diagonals from both sides and making sure they are equal. The greenhouse is secured from the inside with pegs into holes cast with concrete. See step 15 for details.

If you decide to have a concrete base, it is best to contact a reliable contractor to ensure it is flat and level. Make sure you have checked with your local authorities regarding any required building permits.

### 5. Make sure you have the proper tools:

- Tape Measure
- Work Gloves
- Safety Goggles
- Phillips Screwdriver
- Spirit Level
- Small Step Ladder
- Wooden Mallet
- Liquid Soap or WD40 Lubricant
- Scissors
- Hex Key (included)

NOTE: A cordless drill with Phillips head bit is highly recommended but not essential.

# Safety Advice

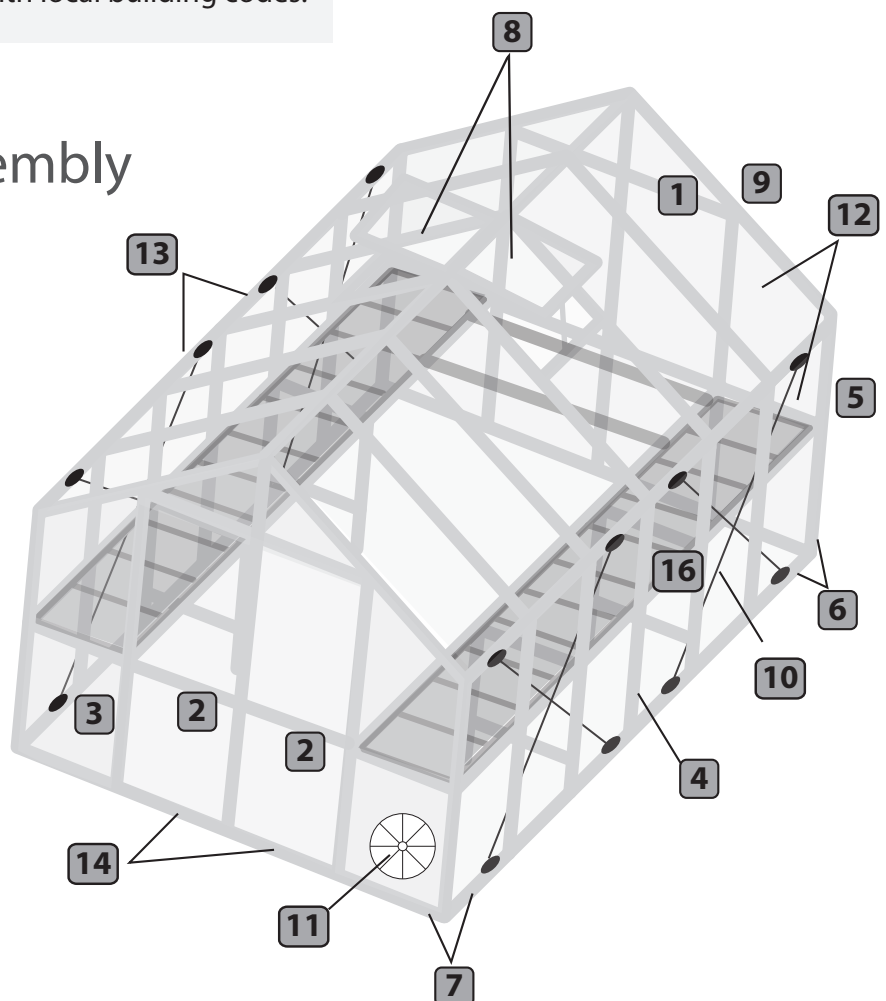
The greenhouse must be positioned and fixed on a flat level surface.  
Dispose of all plastic bags safely. Keep them out of the reach of small children.  
Keep children and pets away from the assembly area until the work is completed.  
Always wear shoes, gloves and safety goggles when working.  
In manufacturing all sharp edges and burs have been removed but caution should still be taken when handling metal parts.  
Do not lean against or push the greenhouse during assembly.  
Take special care not to touch overhead power lines with the aluminum profiles.  
Do not attempt to assemble the greenhouse in windy or wet conditions.  
Do not position your greenhouse in an area exposed to excessive wind.  
If using power tools or a step ladder always follow the manufacturer's safety instructions.  
Hot items such as recently used grills, blow torches etc., must not be stored in the greenhouse.  
Store the polycarbonate panels in a cool dark place like a garage until you are ready to use them.  
Make sure the greenhouse complies with local building codes.

# Table of Contents

Introduction .....	1
Safety Advice .....	2
General Order of Assembly .....	2
List of Parts .....	3
Assemble Back .....	6
Prepare Doors .....	15
Assemble Front .....	19
Assemble Sides .....	27
Prepare Shelves .....	33
Connect Sides to Back .....	34
Connect Sides to Front .....	36
Prepare Roof Vent .....	39
Connect Gables .....	40
Install Roof Vent .....	43
Brace Sides .....	46
Install Circular Vent .....	48
Install Side and Roof Panels ...	49
Install Trim Plates .....	50
Hang Doors .....	52
Secure to Ground .....	55
Install Trays and Bin Holder .....	56

# General Order of Assembly

- Step 1: Assemble Back
- Step 2: Prepare Doors
- Step 3: Assemble Front
- Step 4: Assemble Sides
- Step 5: Prepare Shelves
- Step 6: Connect Sides to Back
- Step 7: Connect Sides to Front
- Step 8: Prepare Roof Vents
- Step 9: Connect Gables and Roof Vents
- Step 10: Brace Sides
- Step 11: Install Circular Vent
- Step 12: Install Side and Roof Panels
- Step 13: Install Trim Plates
- Step 14: Hang Doors
- Step 15: Secure to Ground
- Step 16: Install Trays and Bin Holder



# List of Parts

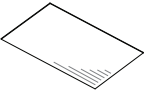

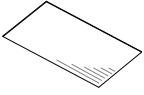
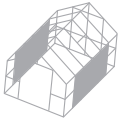
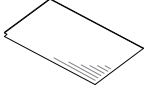

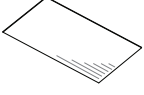

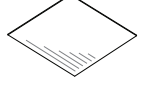

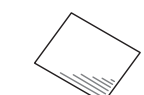








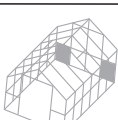
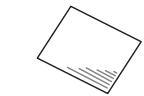
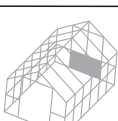

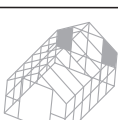

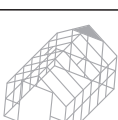

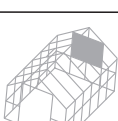


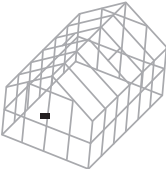
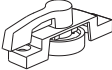
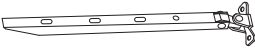

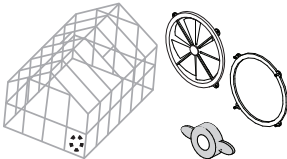
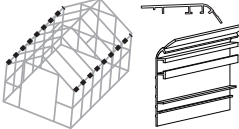
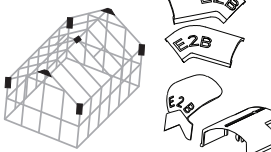
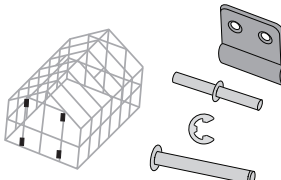
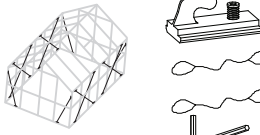
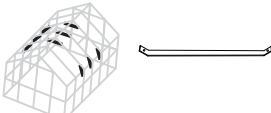
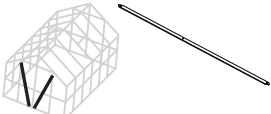
The greenhouse is shipped in three cartons. These cartons are heavy. Be careful when lifting them. Wear proper safety gear including work shoes, gloves and goggles. The parts are identified by removable stickers. Place all the parts for each step in staging areas, checking that you have all parts as you go. If any parts are missing or damaged, contact STC customer service before beginning assembly: Customer Service: (877) 407-9100 ext. 1 or email: customerservice@stcaustin.com

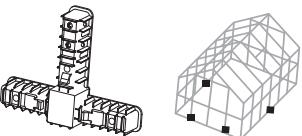
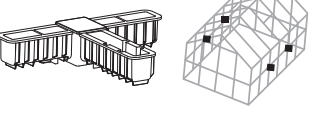
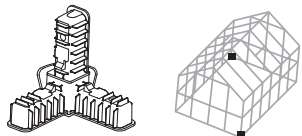
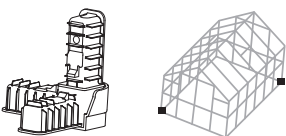
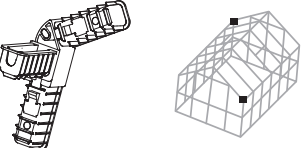
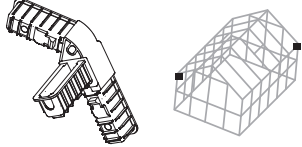
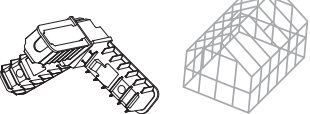
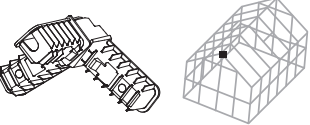
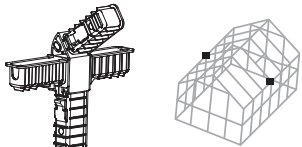
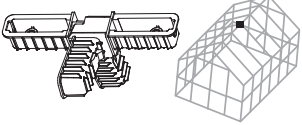
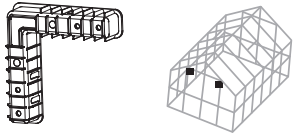
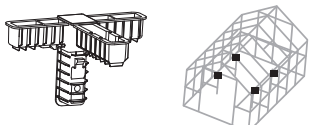
Profile	QTY		
	G01D	4	Step 4
	G01I	1	Step 1
	G01J	1	Step 1
	G01M	1	Step 3
	G01N	1	Step 3
	G01O	1	Step 3
	G02A	2	Steps 1,3
	G02B	2	Steps 1,3
	G02H	1	Step 9
	G02I	1	Step 1
	G02J	1	Step 1
	G02K	1	Step 3
	G02L	1	Step 3
	G02N	1	Step 9
	G03B	4	Step 4
	G03C	1	Step 1
	G03D	1	Step 1
	G03K	1	Step 1
	G03L	1	Step 1
	G03T	2	Step 4
	G03V	4	Step 4
	G03W	1	Step 3
	G03M	4	Step 9
	G03N	1	Step 9
	G03Q	1	Step 9
	G03R	1	Step 9
	G03S	1	Step 9
	G03U	2	Step 9
	G04B	4	Step 4
	G04C	4	Step 4
	G04D	4	Step 4
	G04G	2	Step 16
	G05D	1	Step 9
	G05G	1	Step 9
	G05H	4	Step 1

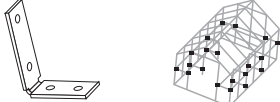


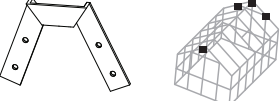

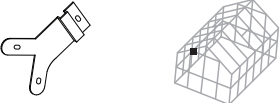

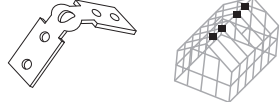
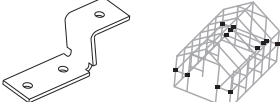
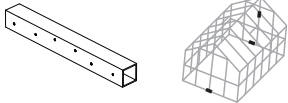
Profile	QTY		
	G06A	1	Step 3
	G06J	1	Step 3
	G06K	1	Step 3
	G07C	2	Step 4
	G07D	2	Step 4
	G14C	4	Step 5
	G14D	4	Step 5
	G14J	4	Step 4
	G17A	1	Step 3
	G17B	1	Step 3
	G17C	1	Step 1
	G17D	1	Step 1

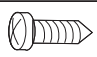







Factory Assembled	QTY		
	DOOR 1	1	Step 2
	DOOR 2	1	Step 2
	VENT	2	Step 8

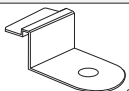
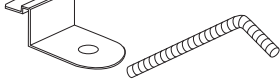
Twin Panel		QTY		
		Y09	4	Step 12
		Y10	8	Step 12
		Y21	4	Step 12
		Y22	6	Step 12
		Y23	2	Step 12
		Y31	1	Step 3
		Y32	1	Step 1
		Y33	2	Step 3
		Y34	2	Step 3
		Y35	2	Step 1
		Y36	2	Step 1
		Y37	2	Step 1
		Y38	2	Step 1
		Y39	2	Step 1


Door Handle		QTY		
	S29	1	Step 2	
	S30	1	Step 2	
	S31	2	Step 2	
	S33	1	Step 2	
	S44	1	Step 2	
Door Lock		QTY		
	S40	2	Step 2	
	S40A	4	Step 2	
Roof Vent Handle		QTY		
	S25	1	Step 8	
Auto Vent Opener		QTY		
	S41	1	Step 9	
	S41A	3	Steps 9,13	
Circular Vent		QTY		
	circular vent	1	Step 11	
	vent frame	1	Step 11	
	plastic nut	4	Step 11	
Trim Plate		QTY		
	G09C	2	Step 13	
	G09D	2	Step 13	
	J02L	2	Step 13	
	J02R	2	Step 13	
	J03	2	Step 13	
	J06	1	Step 13	
Door Hinge Parts		QTY		
	#P30	4	Step 14	
	#S49	2	Step 14	
	#S50	2	Step 14	
	#S51	2	Step 14	
Bracing Parts		QTY		
	S06	24	Steps 1,3,10	
	S07	8	Step 9,10	
	S16	4	Steps 1,3	
	hex key	1	Steps 1,3,10	
	S23	9	Step 9	
	G15D	2	Step 2	

Connector		QTY		
	P01	4	Steps 3,4	
	P03	4	Step 4	
	P04	2	Steps 1,3	
	P05	2	Steps 1,3	
	P09	2	Steps 1,3	
	P10	2	Steps 1,3	
	P12	1	Step 1	
	P18	1	Step 3	
	P19	2	Step 4	
	P21	1	Step 9	
	P28	2	Step 3	
	P39	4	Step 4	

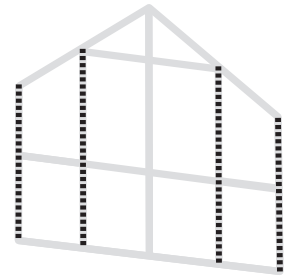
Connector		QTY		
	S01	20	Steps 1,3,4	
	S08	12	Steps 2,3,4	
	S08C	1	Step 3	
	S11	4	Step 1,3	
	S17L	1	Step 3	
	S17R	1	Step 3	
	S20	8	Step 4	
	S22	4	Step 9	
	S37	12	Steps 5,15	
	G16A	2	Steps 1	

Connector		QTY		
	S02	219	Steps 1,3,4,9	
	S13	12	Steps 1,9	
	S14	12	Steps 1,9	
	S24	2	Step 8,13	
	S36	4	Step 16	
	S42	2	Step 9	
	S48	8	Step 14	
	S52	4	Step 3	

Anchor Clip and Peg		QTY		
	S34	10	Step 15	
	S35	10	Step 15	

Shelf Trays		QTY		
	J05	30	Step 16	

# Assemble Back



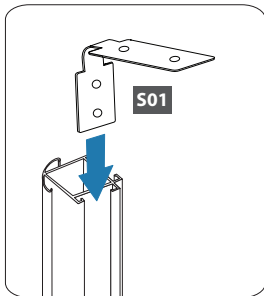
Place all the parts for the back face on a level surface. Make sure the pieces are in the correct positions before assembling. Carefully follow the order of assembly to ensure an easy installation. Wear proper safety gear including work shoes, gloves and goggles.



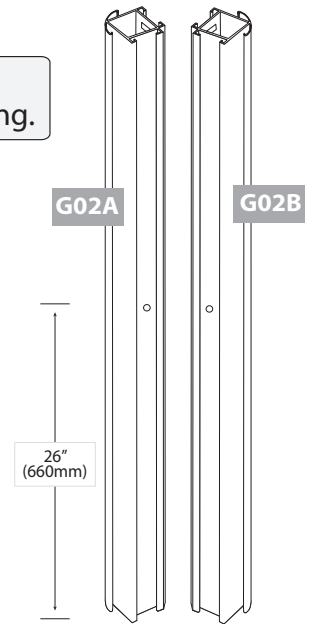
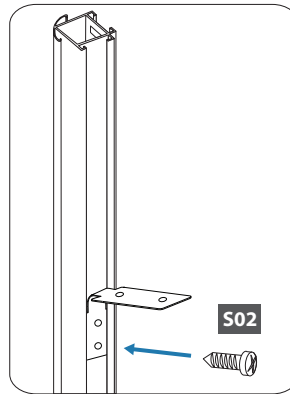
The back is assembled with the outside face to the ground. ALL VIEWS ARE SHOWN FROM INSIDE.

**1.1A** Slide short side of connector S01 into channels of profiles G02A and G02B. Line up last hole on connector S01 with hole in each profile.

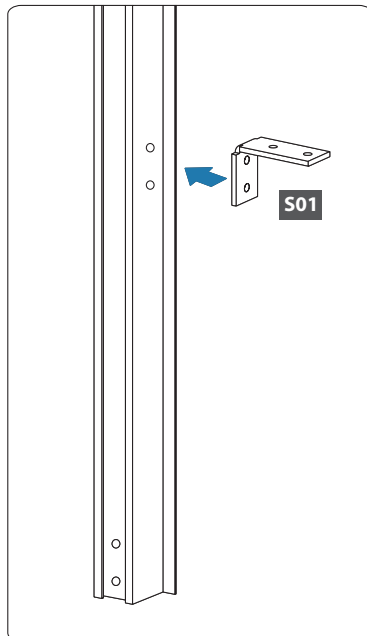
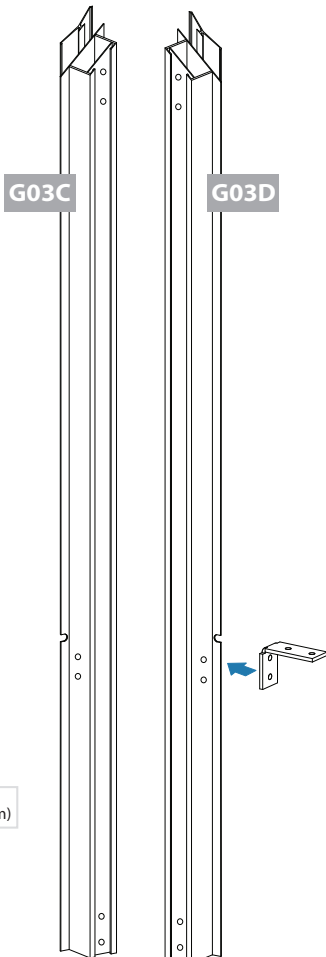
**IMPORTANT:** The holes are not at the midpoint of the profile. Arrange profile so the 26" portion will be the bottom when standing.



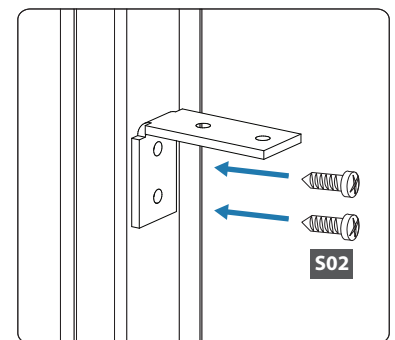
**1.1B** Secure with S02 screws.



**1.2A** Line up bottom hole on short side of connectors S01 with hole on side of profiles G03C and G03D.



**1.2B** Secure with S02 screws.



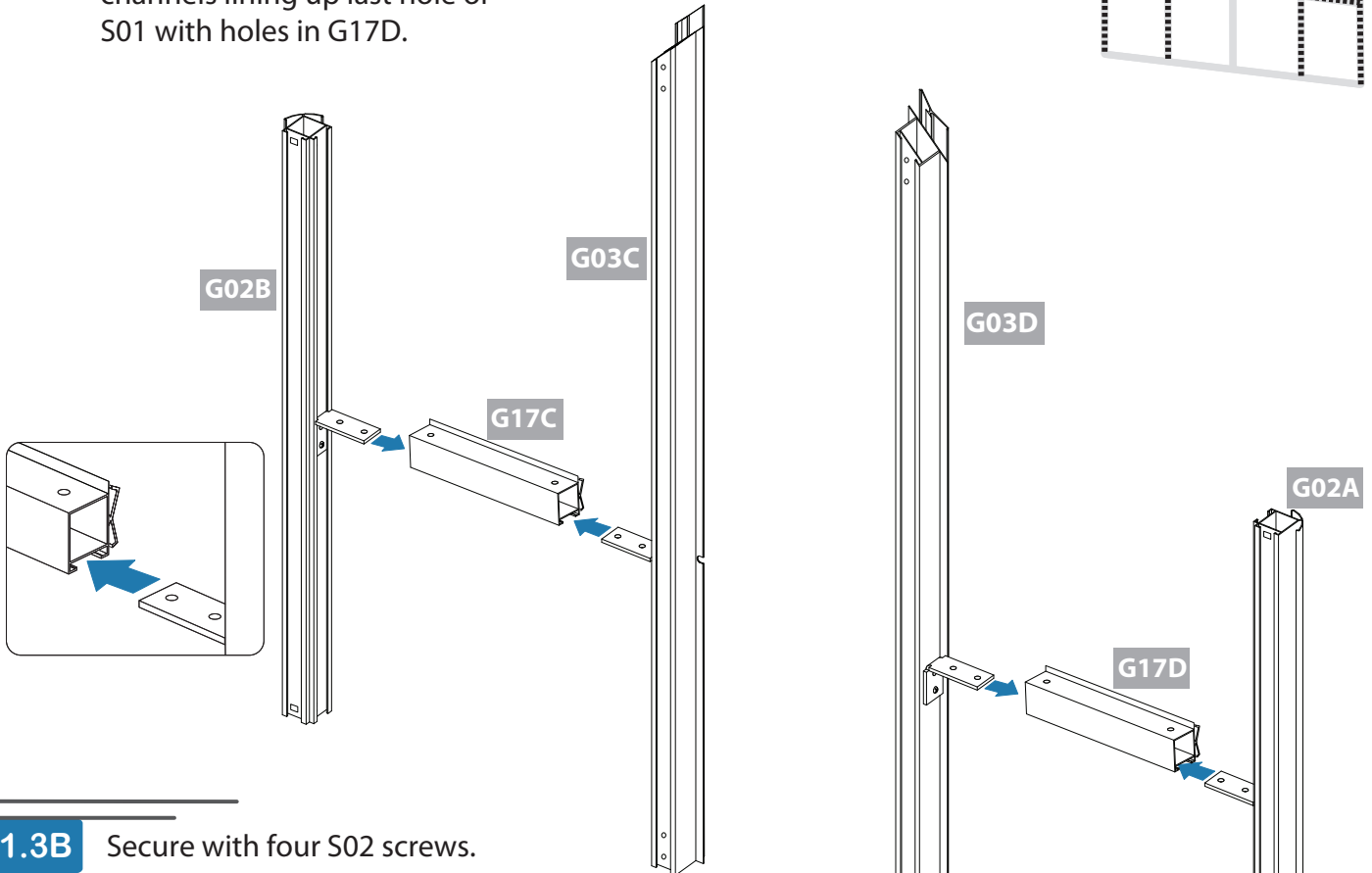
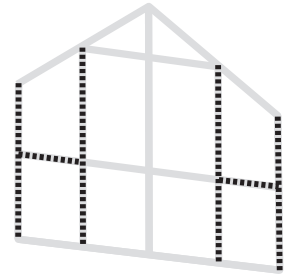
**NOTE: ALL VIEWS ARE FROM INSIDE.**

Profile	QTY	Profile	QTY	Connector	QTY
#G02A	1	#G03C	1	#S01	4
#G02B	1	#G03D	1	#S02	6



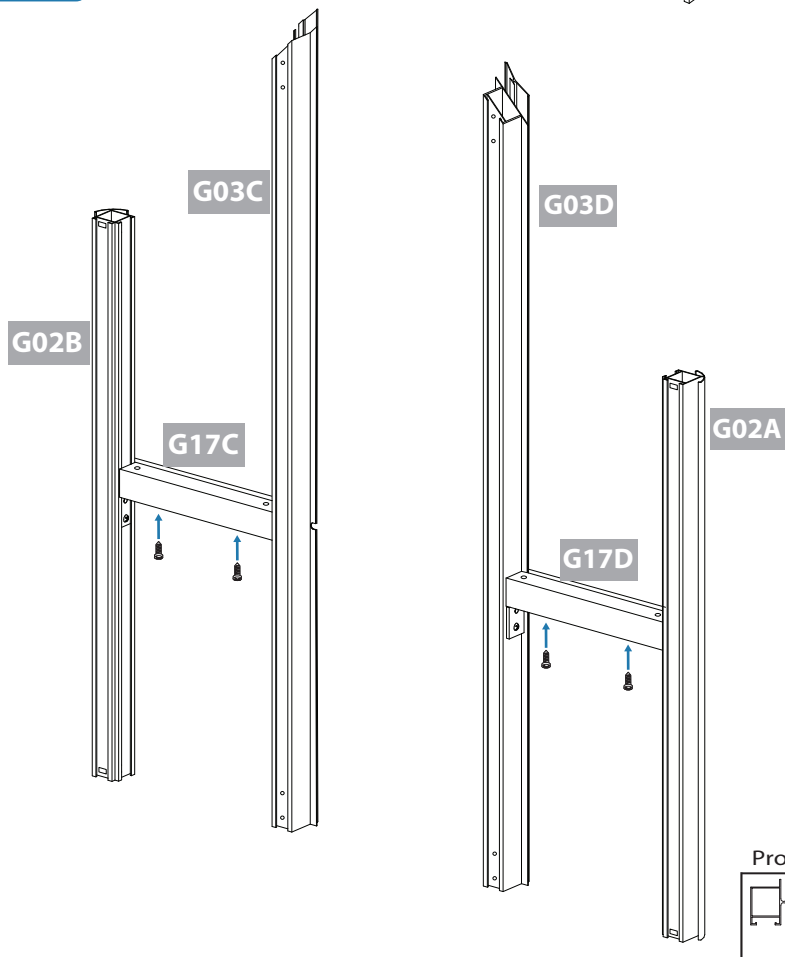
**1.3A**

Attach profiles G02B and G03C to profile G17C by sliding the long sides of connector S01 into channels lining up last hole in S01 with holes in profile G17C. Attach profiles G03D and G02A to profile G17D by sliding the long side of connector S01 into profile channels lining up last hole of S01 with holes in G17D.



**1.3B**

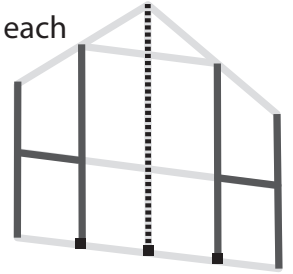
Secure with four S02 screws.



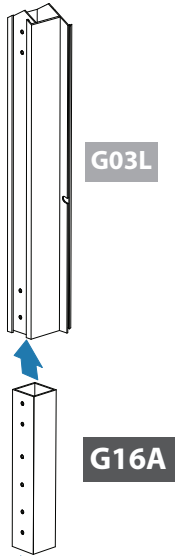
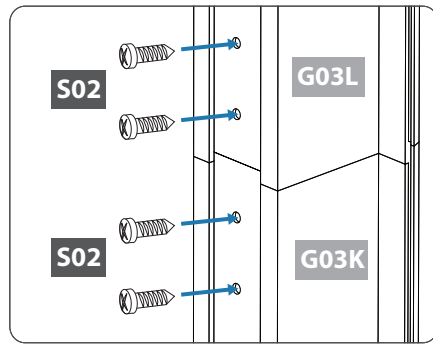
NOTE: ALL VIEWS ARE FROM INSIDE.

Profile		QTY	Screw		QTY
	#G17C	1		#S02	4
	#G17D	1			

**1.4A** Slide connector G16A inside profiles G03L and G03K. The two end holes on each side of connector G16A line up with the two holes on each profile.



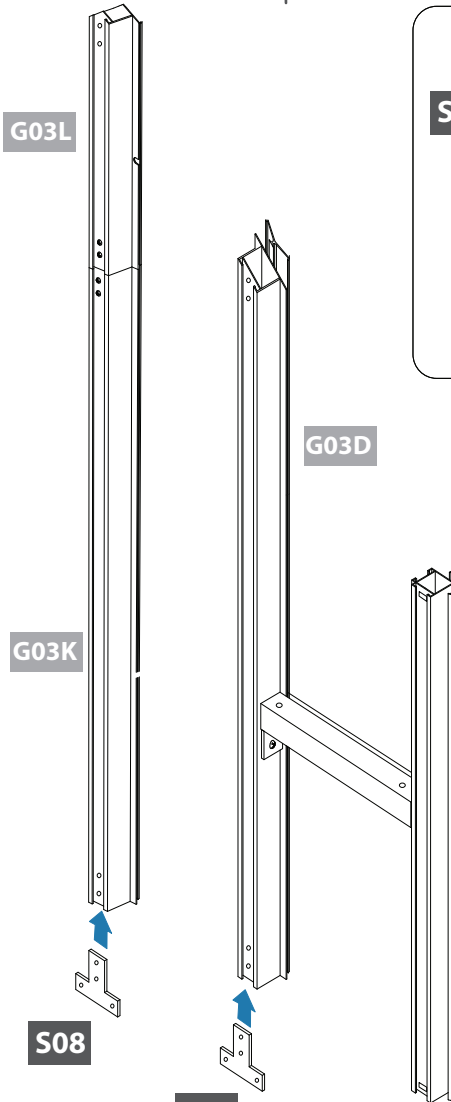
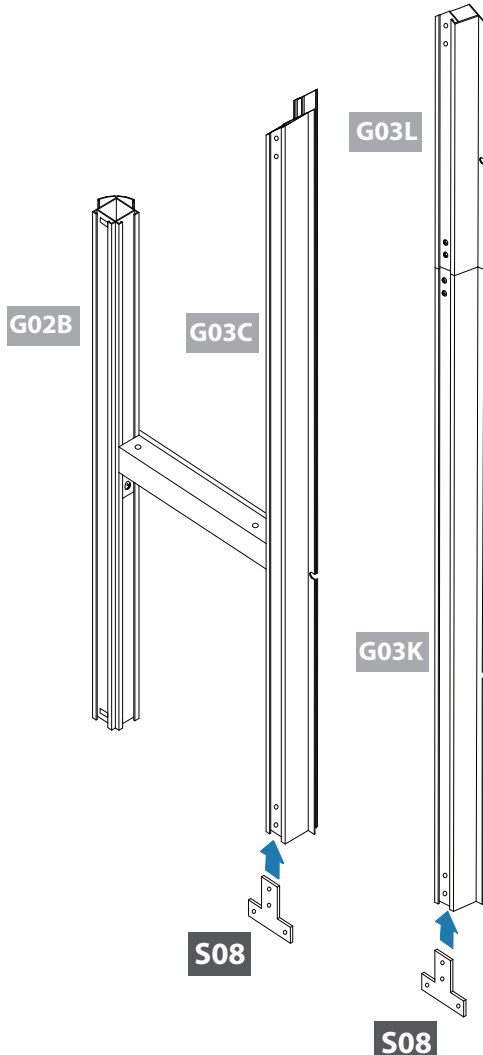
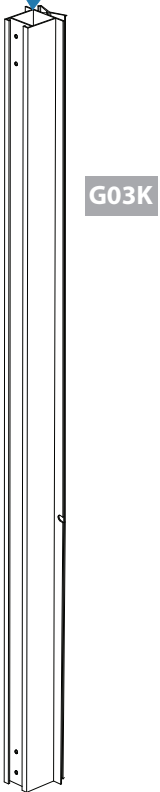
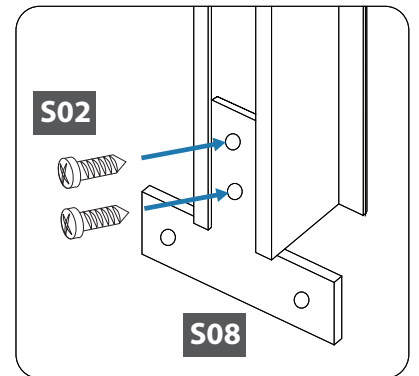
**1.4B** Secure with four S02 screws.



Profile	QTY	Connector	QTY
#G03K	1	#G16A	1
#G03L	1	#S02	4

**1.5A** Slide connectors S08 into channels of profiles G03C, G03D and G03K.

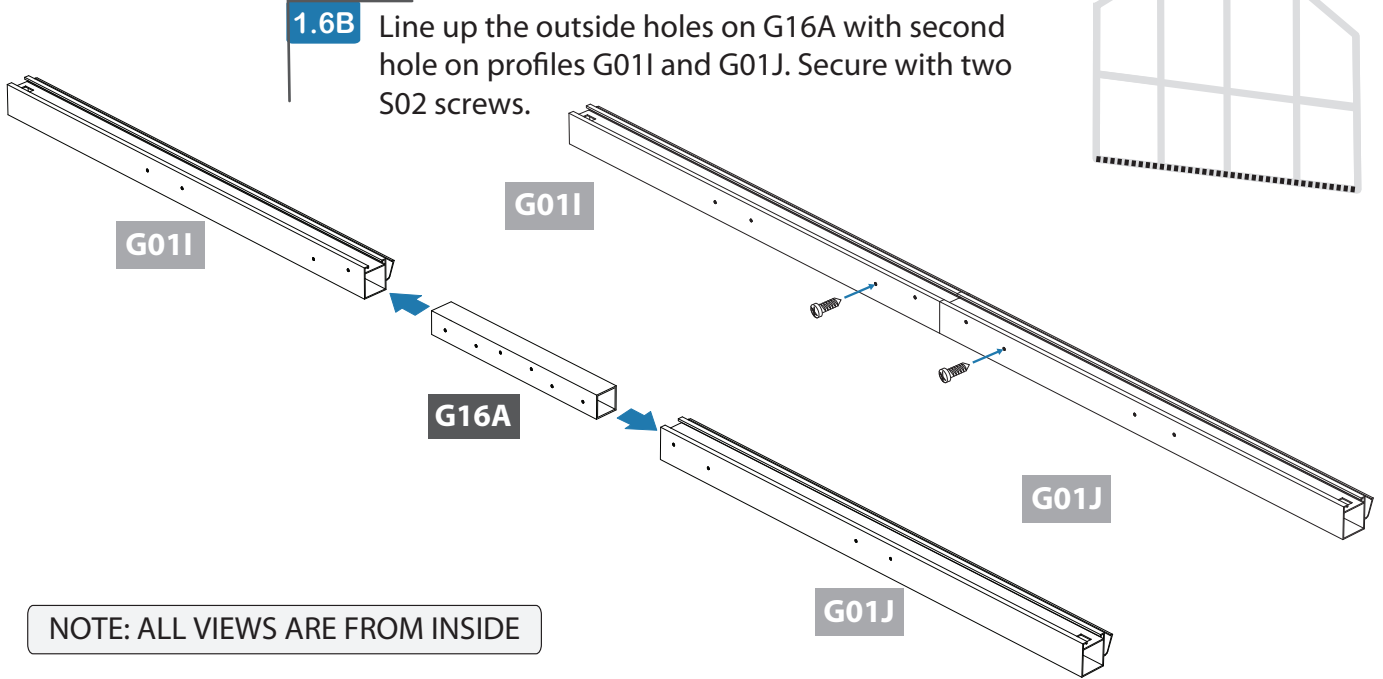
**1.5B** Secure each connector with two S02 screws.



NOTE: ALL VIEWS ARE FROM INSIDE

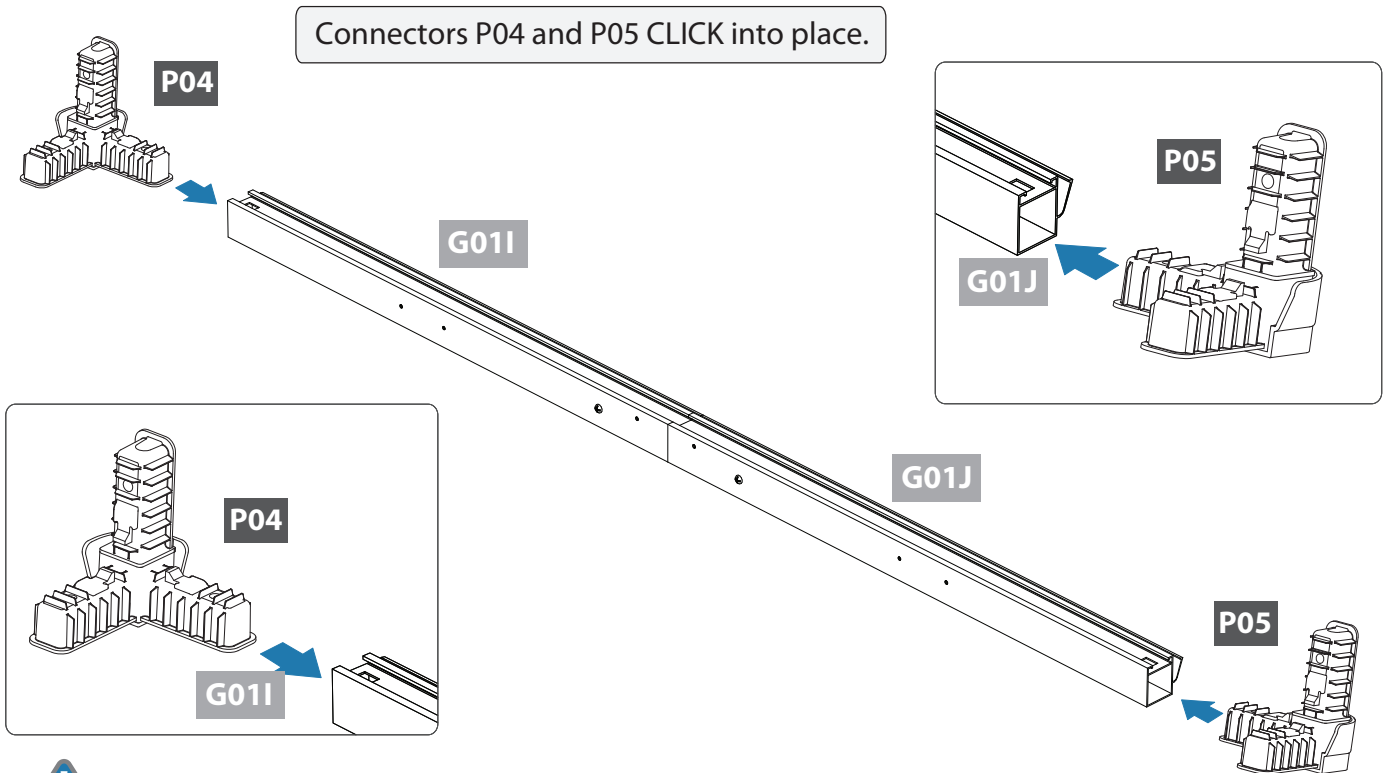
Connector	QTY
#S02	6
#S08	3

**1.6A** Slide connector G16 inside profiles G01I and G01J.



Profile	QTY	Connector	QTY
#G01I	1	#G16A	1
#G01J	1	#S02	2

**1.6C** Slide connectors P04 into profile G01I and connector P05 into profile G01J until they securely click into place.

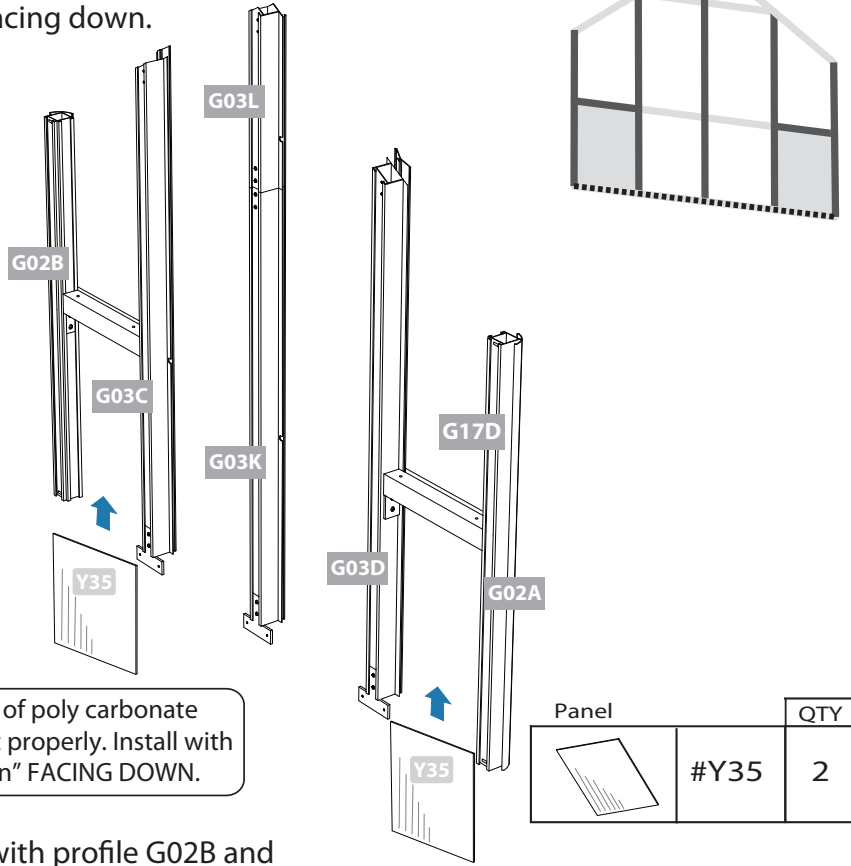


**!** There is only one way to properly fasten connectors into profiles. Line up parts first to ensure correct placement. Slide connectors until they **CLICK** securely into profile. Use WD40 or liquid soap if pieces do not easily slide together. Wear gloves.


Connector	QTY	Connector	QTY
#P04	1	#P05	1

### 1.7

Remove protective plastic from both sides of panels Y35. Place side to face the sun facing down. Fit panels inside V-channels of profiles G02A, G02B, G03C, G03D, G17C and G17D.

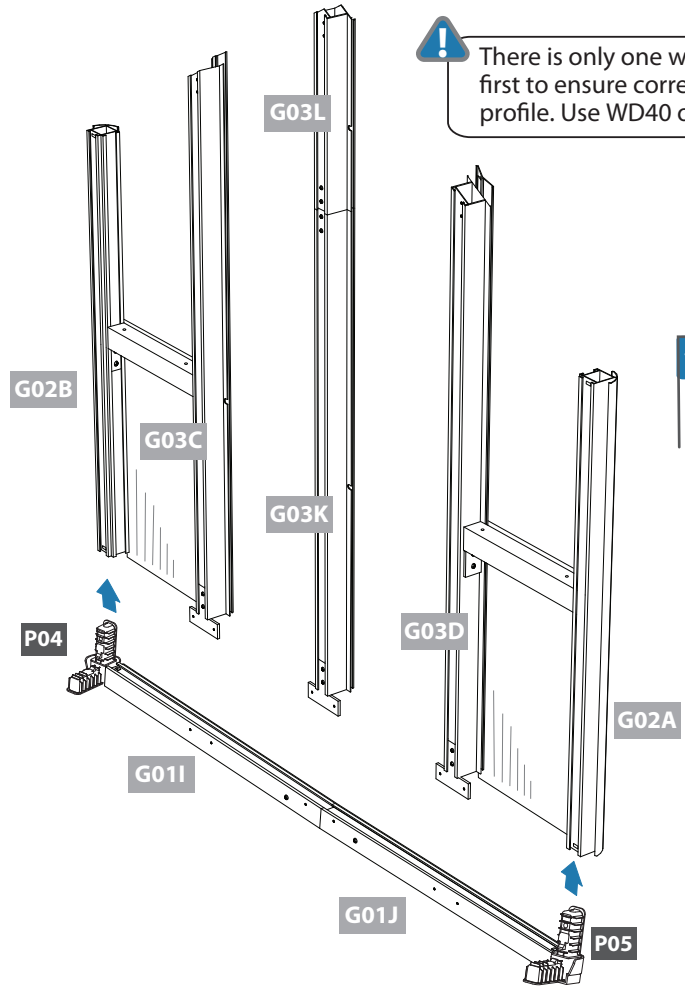


**!** Remove protective plastic from EACH side of poly carbonate panels before installing. Dispose of plastic properly. Install with side labeled "Face this side towards the sun" FACING DOWN.

Panel		QTY
	#Y35	2

### 1.8A

Carefully line up connector P04 with profile G02B and connector P05 with profile G02A. Slide profiles G01I and G01J half way into place. Continue sliding until connectors P04 and P05 click securely into profiles.



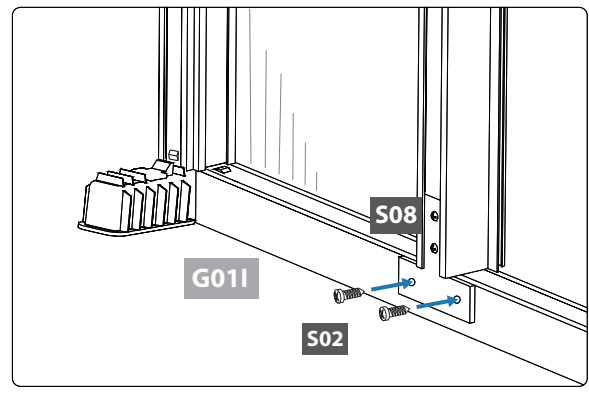
**!** There is only one way to properly fasten connectors into profiles. Line up parts first to ensure correct placement. Slide connectors until they CLICK securely into profile. Use WD40 or liquid soap if pieces do not easily slide together. Wear gloves.

NOTE: ALL VIEWS ARE FROM INSIDE.

Connectors P04 and P05 CLICK into place.

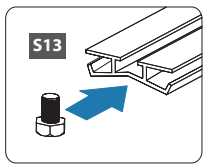
### 1.8B

Line up holes on connectors S08 with holes in profiles G01I and G01J. Secure each connector with two S02 screws.

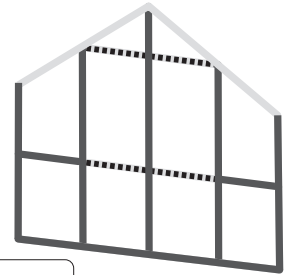
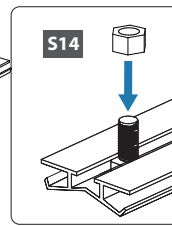


Screw		QTY
	#S02	6

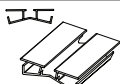


**1.9A** Slide hex bolt S13 into channels of four G05H profiles as shown.



**1.9B** Screw hex nut S14 onto bolt. Do not completely tighten.



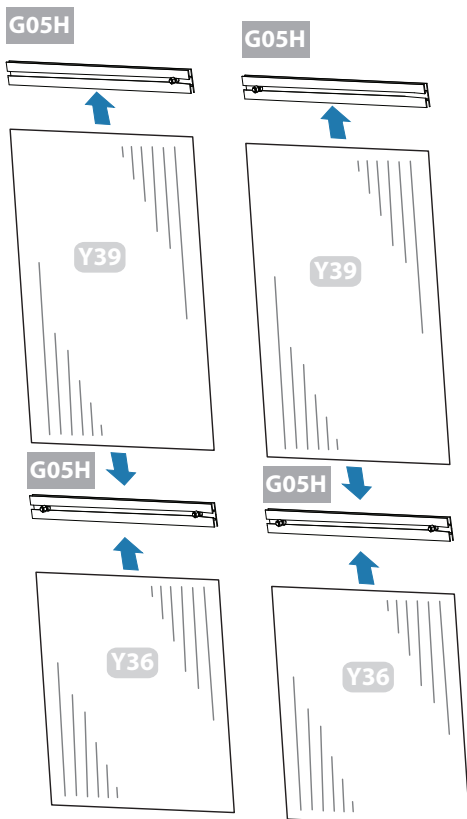
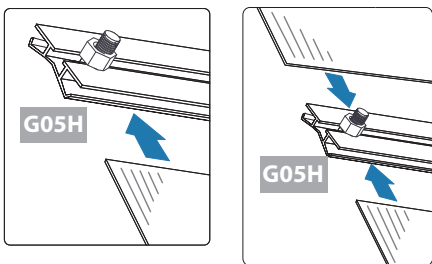
NOTE: Insert two sets of nuts and bolts into two G05H profiles. The other two G05H profiles have one set of nuts and bolts.

Profile	QTY	Bolt/Nut	QTY
 #L05H	4		#S13 6
			#S14 6

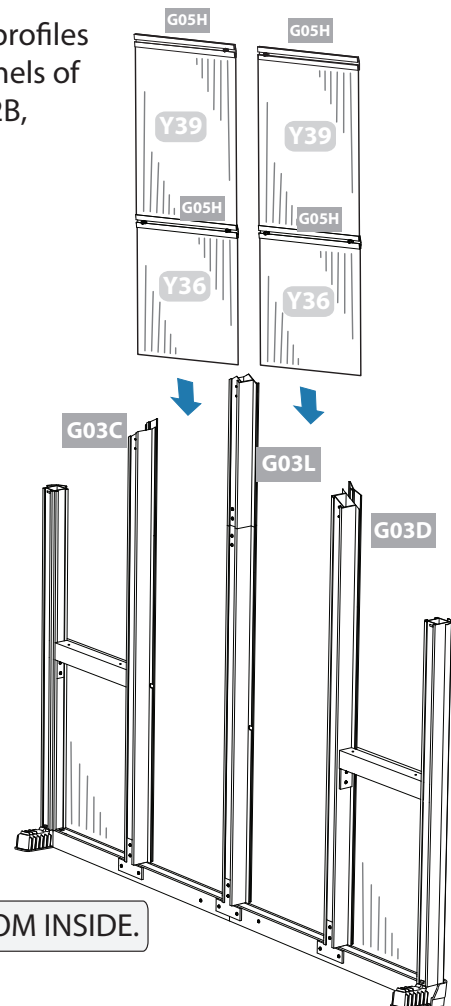
**1.10A** Remove protective plastic from both sides of panels Y36 and Y39. Place side to face toward the sun facing down.

Line up Y36 and Y39 panels between profiles G05H as shown. Fit securely into the V-channels of profiles.


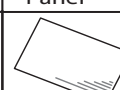
**!** Remove protective plastic from EACH side of poly carbonate panels before installing. Dispose of plastic properly. Install with side labeled "Face this side towards the sun" FACING DOWN.



**1.10B** Slide panels with profiles G05H into V-channels of profiles G02A, G02B, G03C, G03D, G03L and G03K.

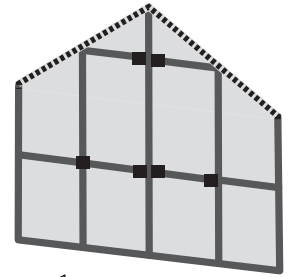


NOTE: ALL VIEWS ARE FROM INSIDE.

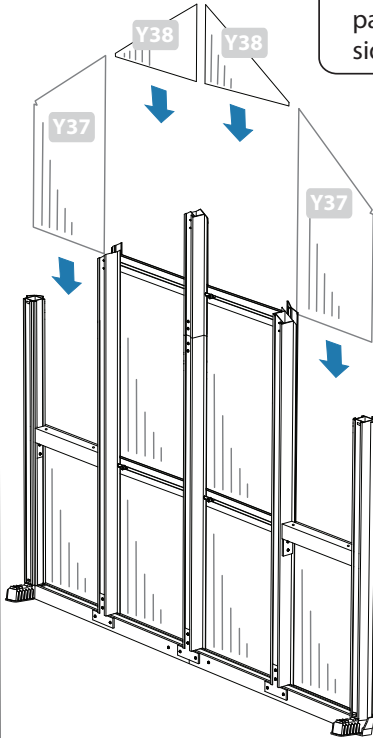
Panel	QTY	Panel	QTY
 #Y36	2	 #Y39	2

**1.10C** Remove protective plastic from both sides of panels Y37 and Y38. Place side to face toward the sun facing down.

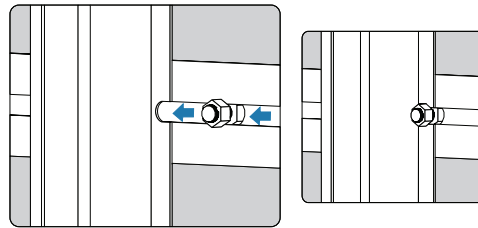
Slide panels into V-channels on profiles G02A, G02B, G03C, G03D and G03L. Fit inside V-channels on profiles G05H.



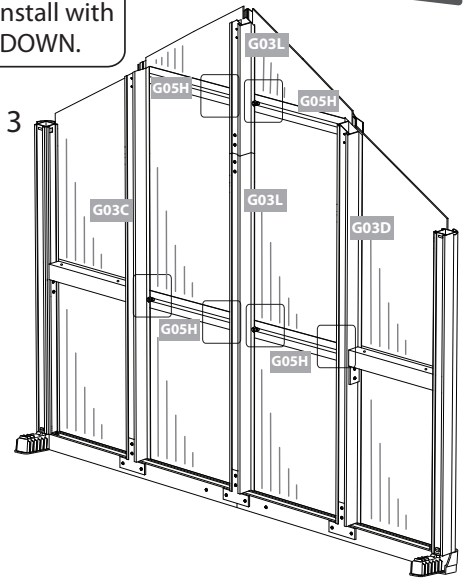
**!** Remove protective plastic from EACH side of poly carbonate panels before installing. Dispose of plastic properly. Install with side labeled "Face this side towards the sun" FACING DOWN.



**1.10D** Slide hex nut S14 and hex bolts S13 into U-cutout in sides of profiles G03C, G03D, G03L and G03K. Tighten securely to hold in place.



**NOTE:** The top set of G05H profiles have nuts and bolts only next to profile G03L.

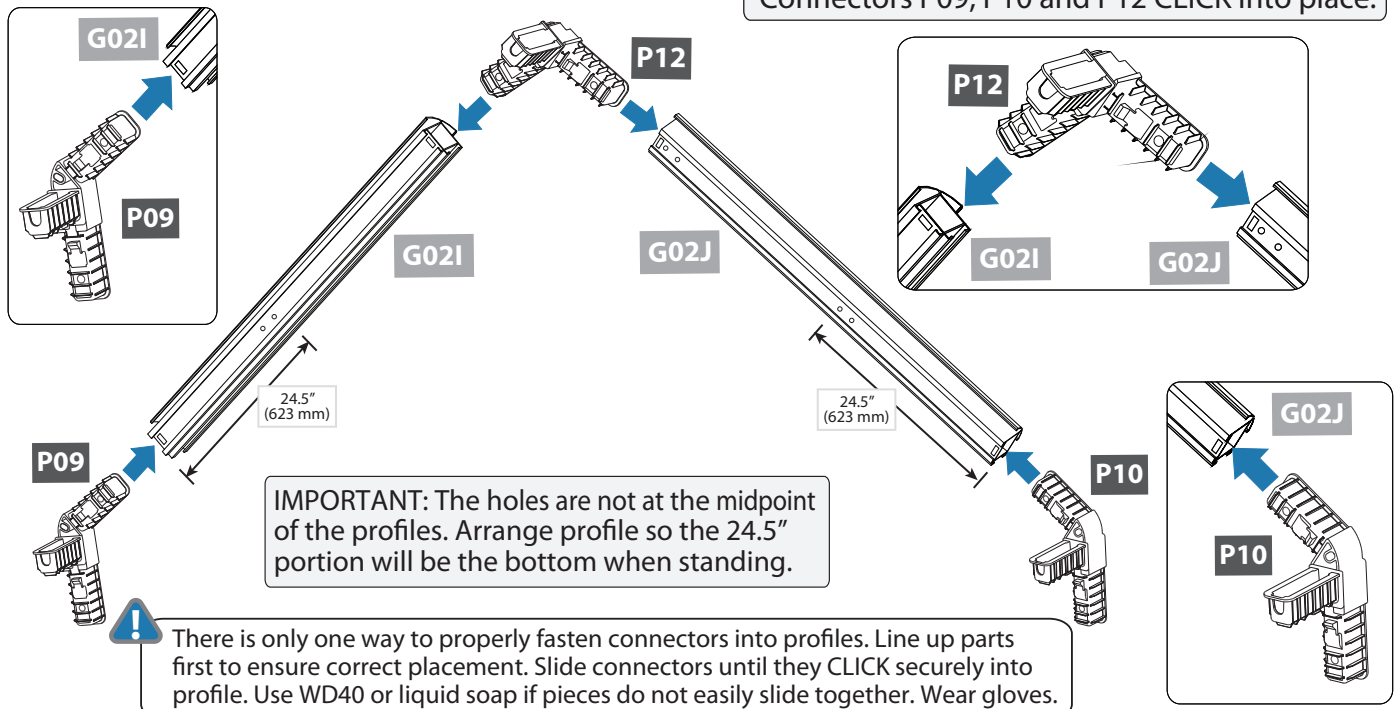


Panel	QTY	Panel	QTY
	#Y37 2		#Y38 2

**NOTE:** ALL VIEWS ARE FROM INSIDE.

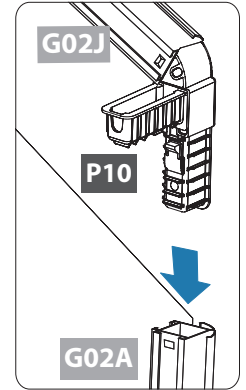
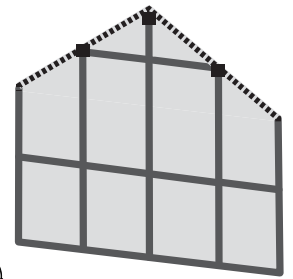
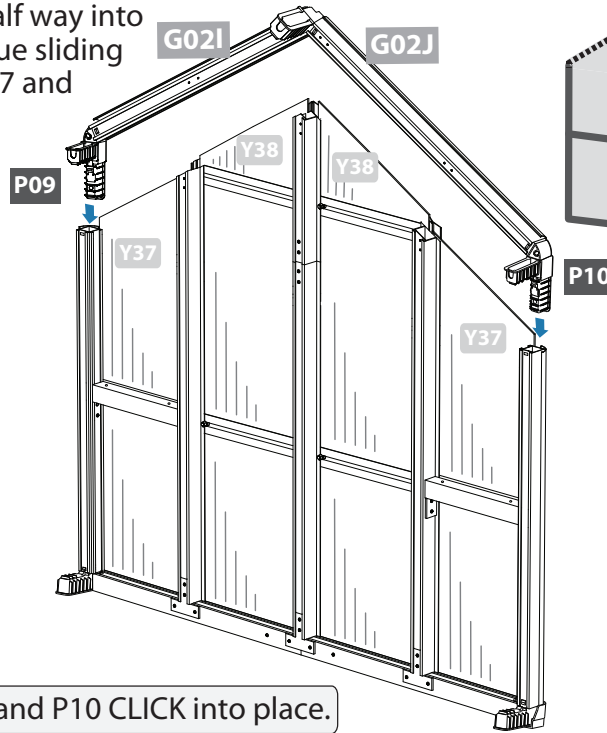
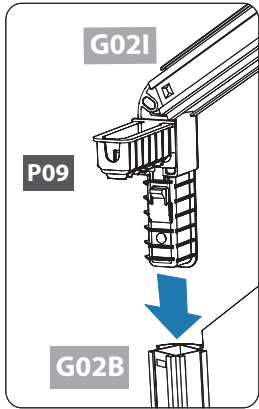
**1.11A** Slide profiles G02I and G02J into connectors P09, P10 and P12 until they click into place.

Connectors P09, P10 and P12 CLICK into place.



Profile	QTY	Connector	QTY	Connector	QTY	Connector	QTY
#G02I	1	#P09	1	#P10	1	#P12	1
#G02J	1						

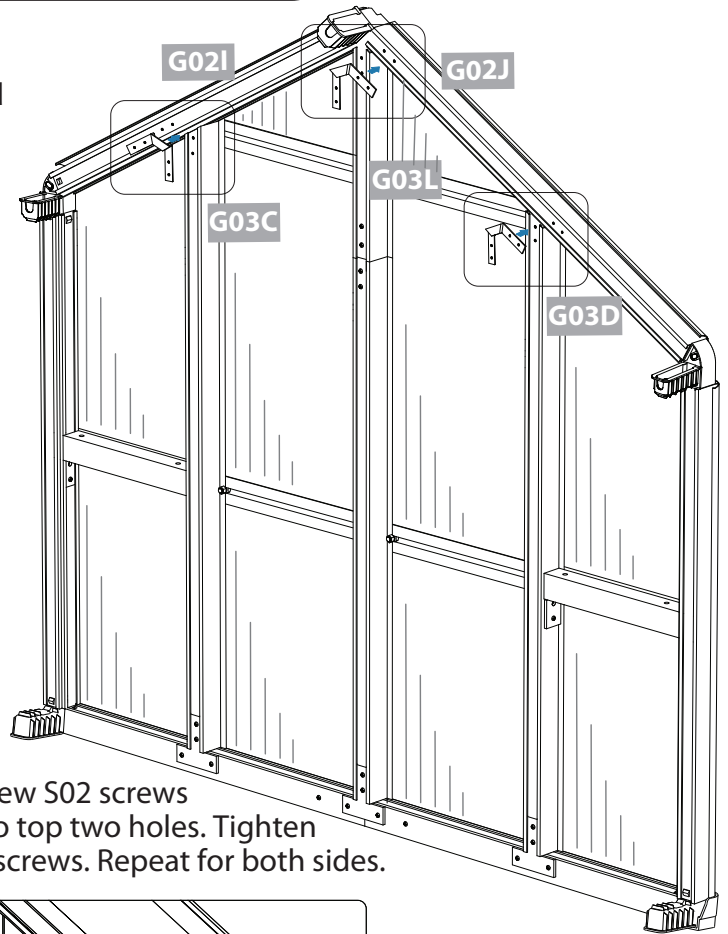
**1.11B** Slide connectors S09 and S10 half way into profiles G02A and G02B. Continue sliding together making sure panels Y37 and Y38 fit securely into V-channels of profiles G02I and G02J. Connectors click securely into profiles.



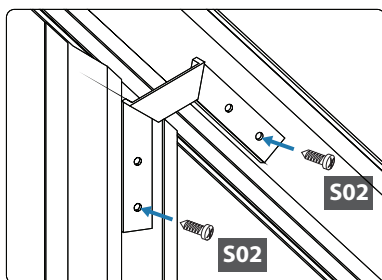
Connectors P09 and P10 **CLICK** into place.

**!** There is only one way to properly fasten connectors into profiles. Line up parts first to ensure correct placement. Slide connectors until they **CLICK** securely into profile. Use WD40 or liquid soap if pieces do not easily slide together. Wear gloves.

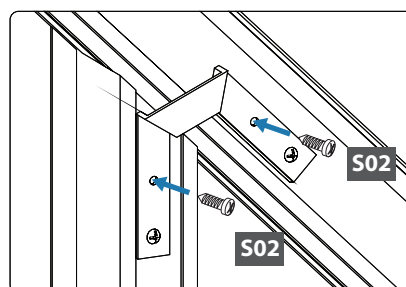
**1.12A** Place connectors S11 onto profiles G02I and G03C, G02J and G03L and G02J and G03D matching up all holes.



**1.12B** Screw S02 screws partially into bottom two holes. Do not tighten.



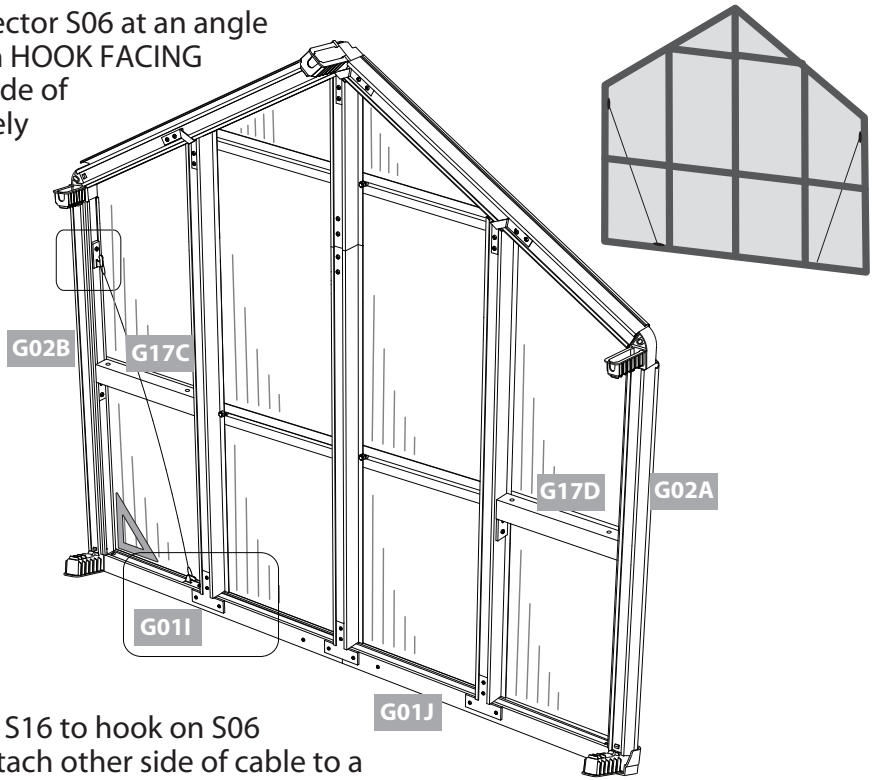
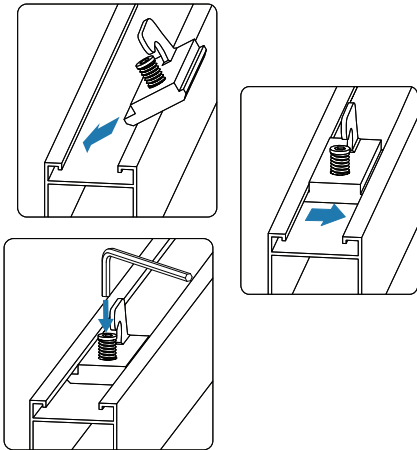
**1.12C** Screw S02 screws into top two holes. Tighten all screws. Repeat for both sides.



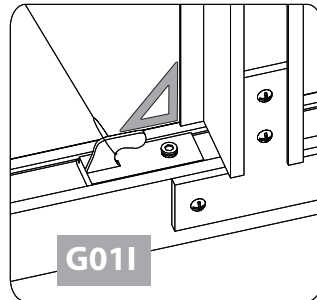
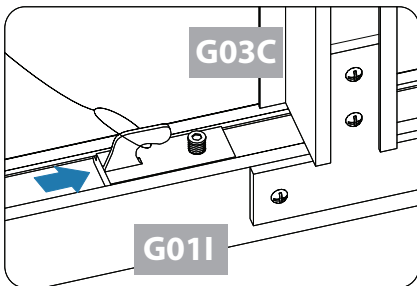
NOTE: ALL VIEWS ARE FROM INSIDE.

Connector		QTY
	#S02	12
	#S11	3

**1.13A** Insert long side of cable connector S06 at an angle into profile channel G02B with HOOK FACING UP. Slide connector to other side of channel. Use hex key to securely tighten and hold in place.



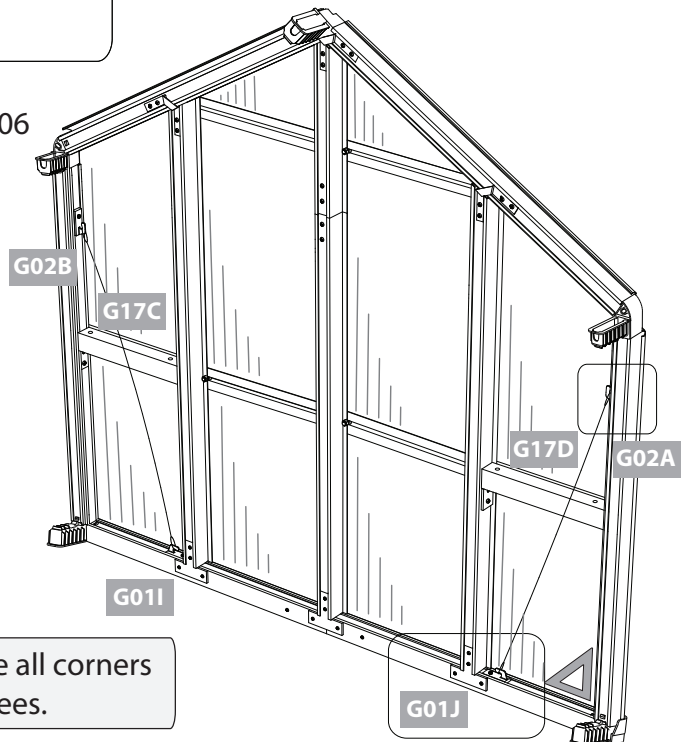
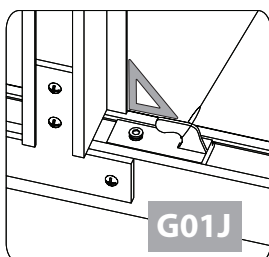
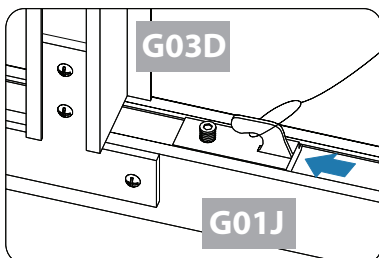
**1.13B** Attach one side of short cable S16 to hook on S06 and lace over profile G17C. Attach other side of cable to a second S06 cable connector and with hook facing center, insert into profile channel G01I. Push the S06 connector towards center until profile corners are square and cable is tight. Use hex key to securely tighten and hold in place.



**IMPORTANT:** Make sure all corners are squared at 90 degrees.

**NOTE:** ALL VIEWS ARE FROM INSIDE.

**1.14** Repeat step 1.13 inserting cable connectors S06 into profiles G02A and G01J. Cable rests over profile G17D. Slide connector until profile corners are square and cable is tight. Use hex key to securely tighten second connector and hold in place.

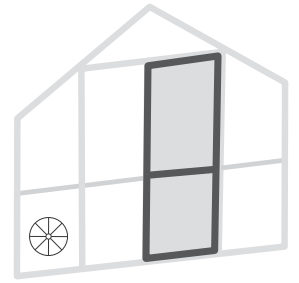


**IMPORTANT:** Make sure all corners are squared at 90 degrees.

Hex Key	QTY	Cable Connector	QTY	Cable	QTY	
	1		#S06		#S16	2



# Prepare Doors



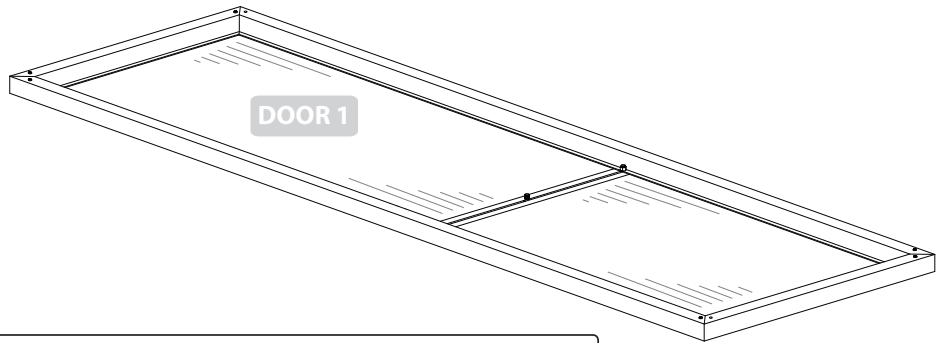
Place all the parts for both doors on a level surface. Make sure the pieces are in the correct positions before assembling. Carefully follow the order of assembly to ensure an easy installation. Wear proper safety gear including work shoes, gloves and goggles.



Both doors are partially assembled at the factory. Remove plastic film on both sides of panels before installing. Finish assembly with the outside facing the ground. ALL VIEWS ARE SHOWN FROM INSIDE.

## 2.1A

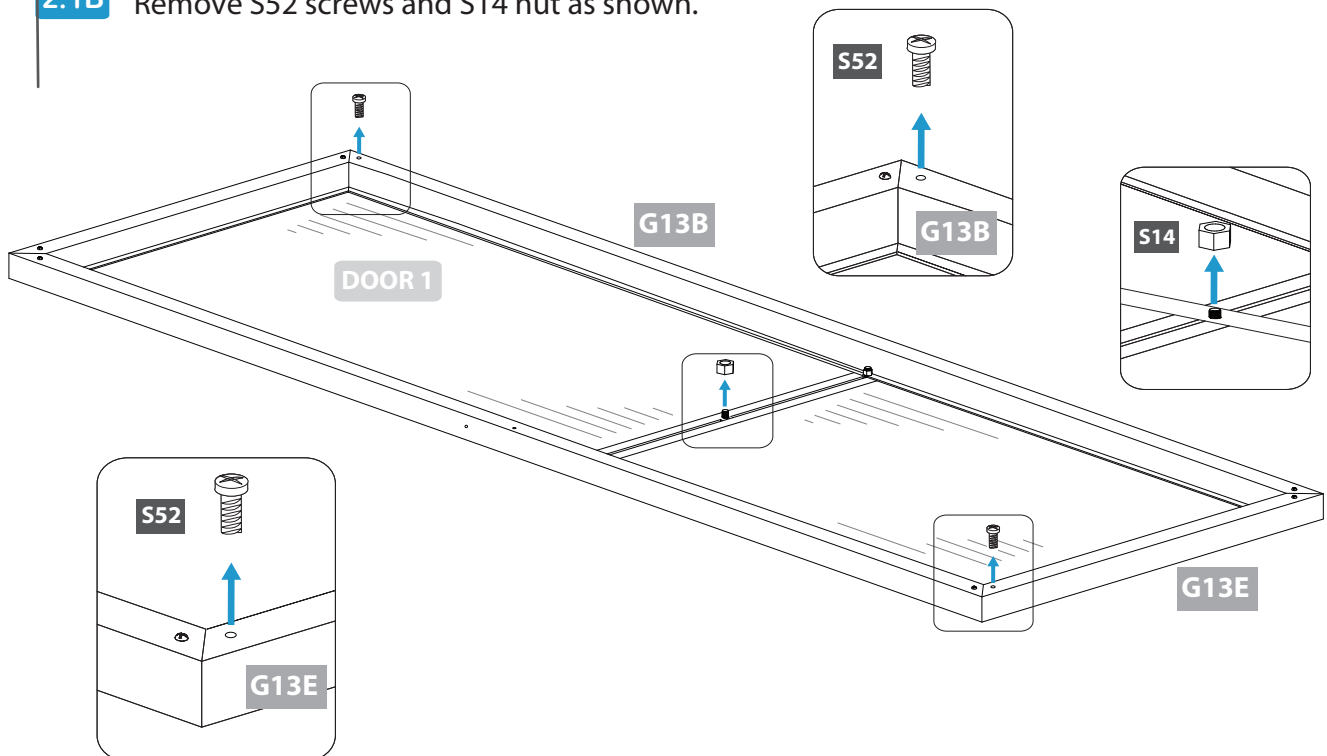
Remove protective plastic from both sides of panels on DOOR 1. Place side to face the sun facing down.



Remove protective plastic from EACH side of clear panels before installing. Dispose of plastic properly. Install with outward curved side FACING DOWN.

## 2.1B

Remove S52 screws and S14 nut as shown.

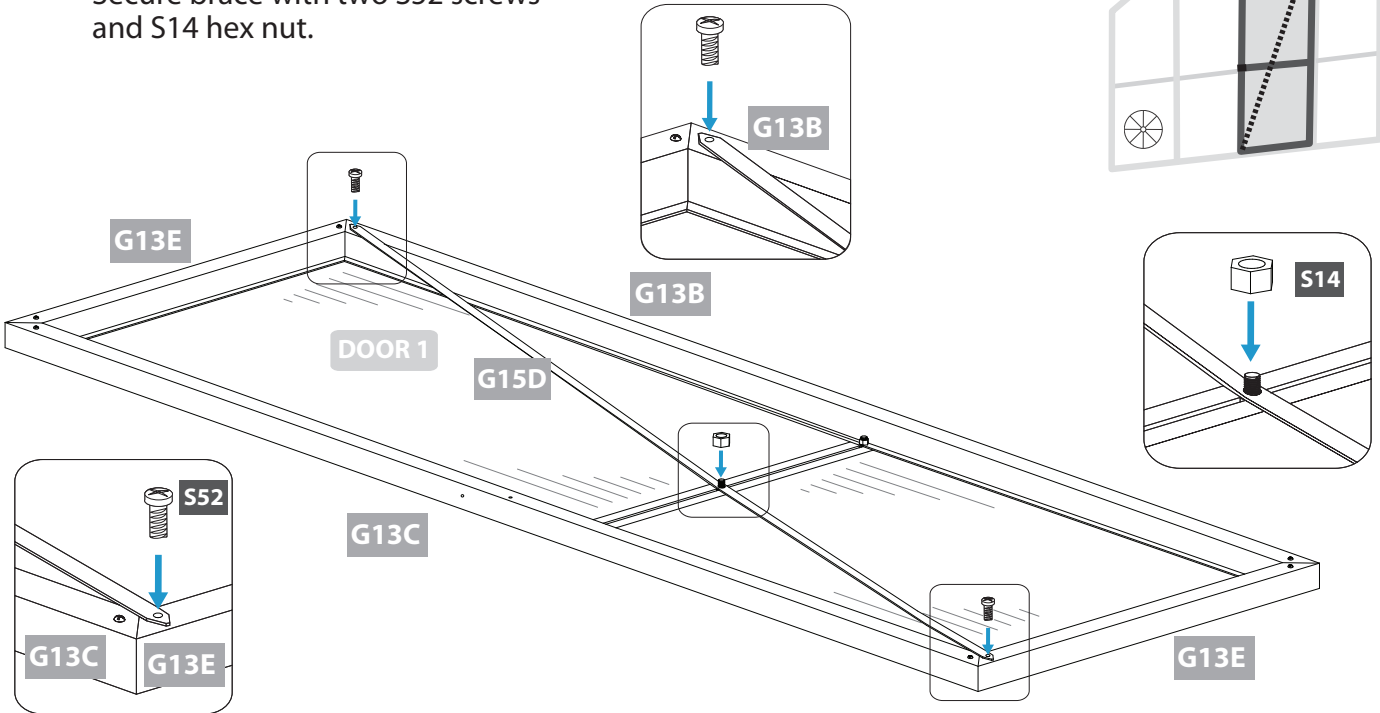
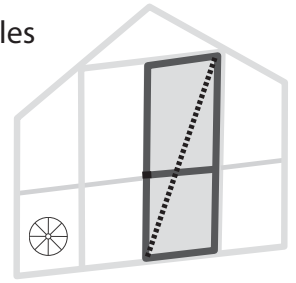


NOTE: ALL VIEWS ARE FROM INSIDE.

DOOR 1	QTY
	1

**2.2**

Place brace G15D onto DOOR 1 lining up the holes on each end with the holes in profiles G13B and G13E. Slide hex bolt so it fits through hole in brace. Secure brace with two S52 screws and S14 hex nut.



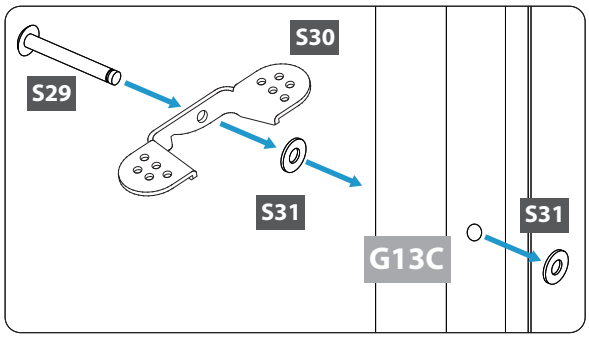
**IMPORTANT:** The hole for hex bolt is not at the midpoint of brace. Turn brace until all holes line up. Brace will dip slightly when hex bolt is secured.

**NOTE:** ALL VIEWS ARE FROM INSIDE.

Brace		QTY
	#G15D	1

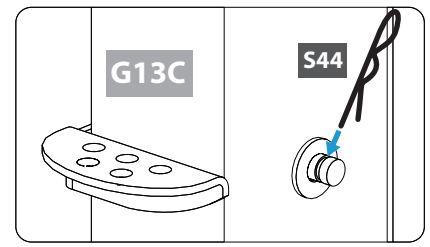
**2.3A**

Open door handle kit and remove parts. Slide pin S29 through handle S30, washer S31 and hole in profile G13C into washer S31.



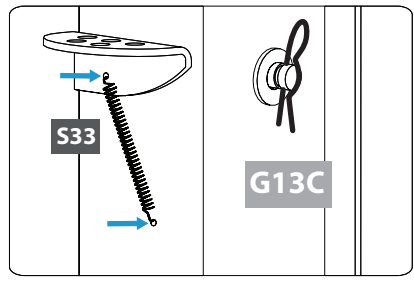
**2.3B**

Slide hairpin clip S44 into groove on pin S29 to hold securely in place.



**2.3C**

Hook one side of spring S33 into hole on handle S30. Hook the other side into pin hole on profile G13C.

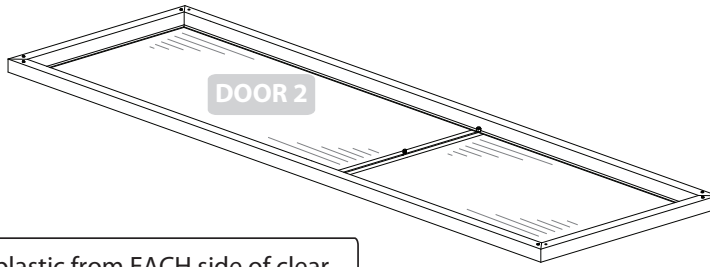
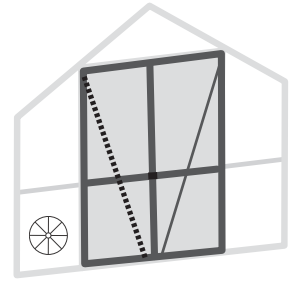


**NOTE:** Connectors packaged as Door Handle Kit.

Connector		QTY	Connector		QTY
	#S29	1		#S31	2
	#S30	1		#S33	1
				#S44	1

2.4A

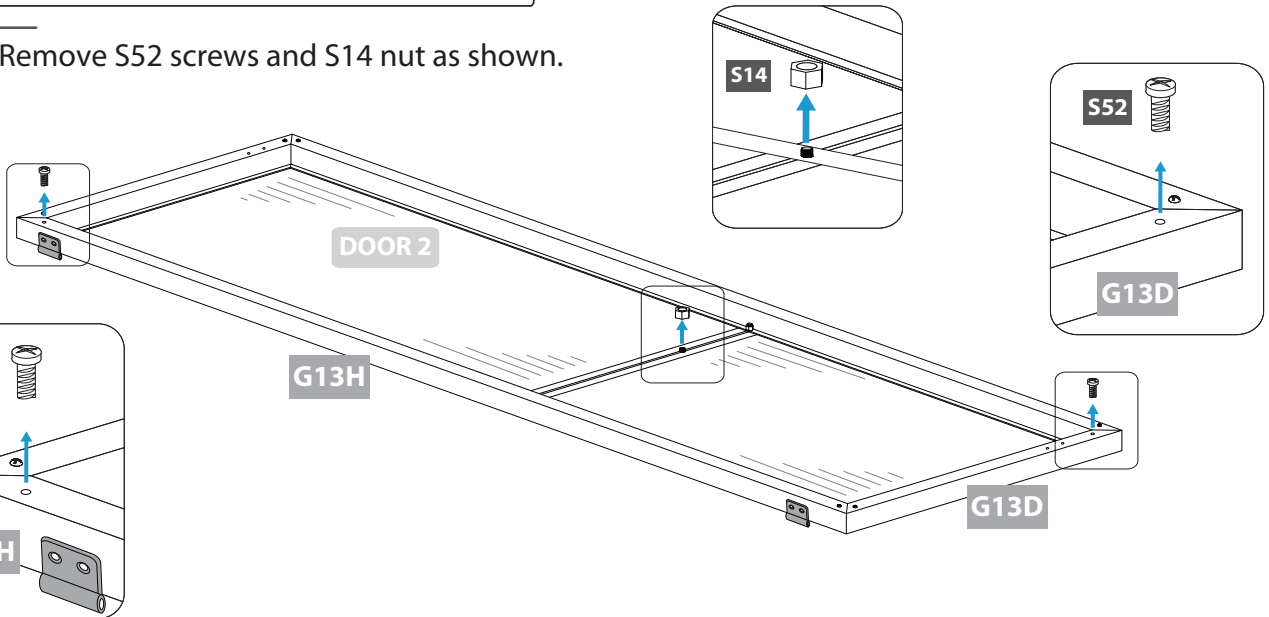
Remove protective plastic from both sides of panels on DOOR 2. Place side to face the sun facing down.



Remove protective plastic from EACH side of clear panels before installing. Dispose of plastic properly. Install with outward curved side FACING DOWN.

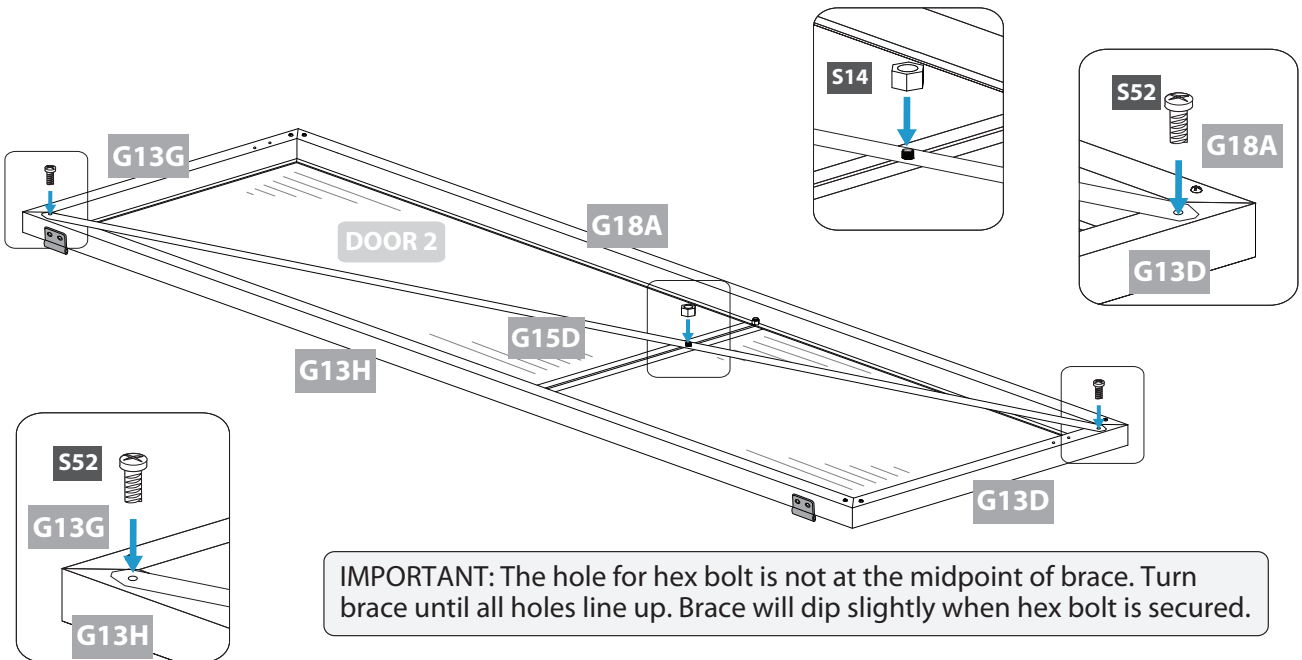
2.4B

Remove S52 screws and S14 nut as shown.



2.4B

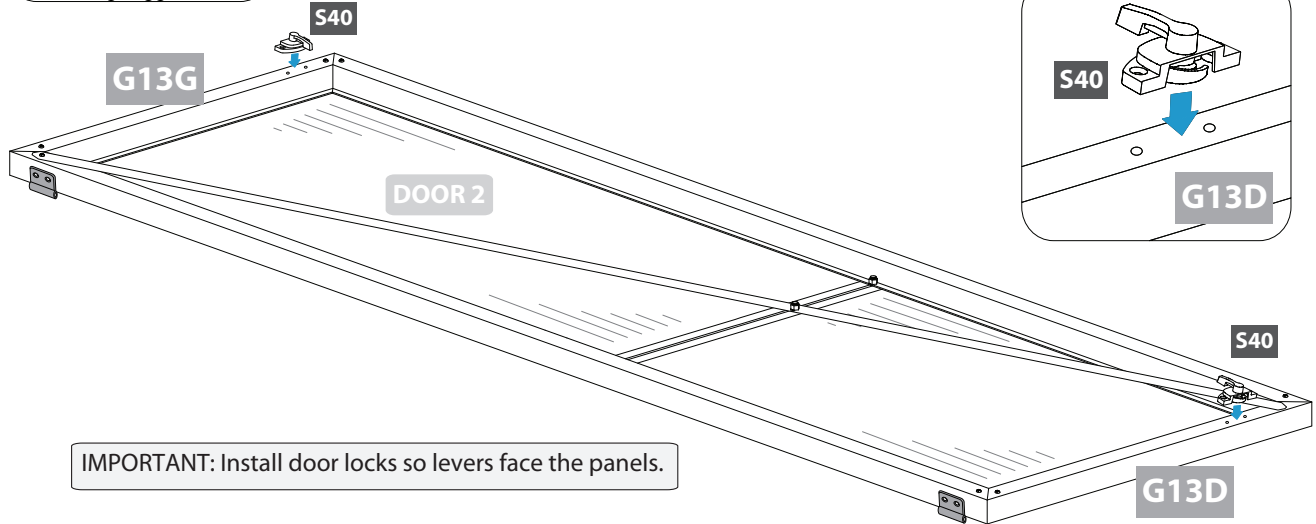
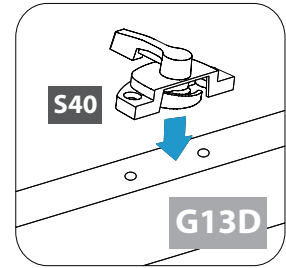
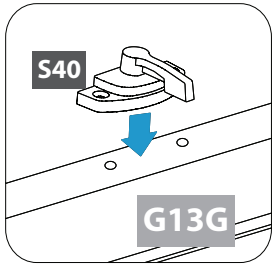
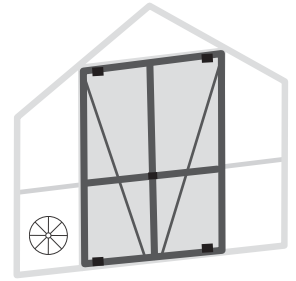
Place brace G15D onto DOOR 2 lining up the holes on each end with the holes in profiles G18A and G13D. Slide hex bolt so it fits through hole in brace. Secure brace with two S52 screws and S14 hex nut.



**IMPORTANT:** The hole for hex bolt is not at the midpoint of brace. Turn brace until all holes line up. Brace will dip slightly when hex bolt is secured.

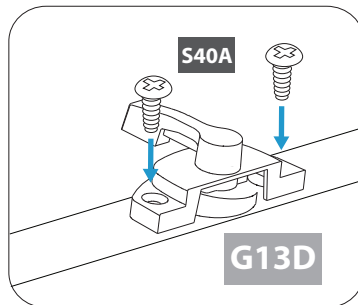
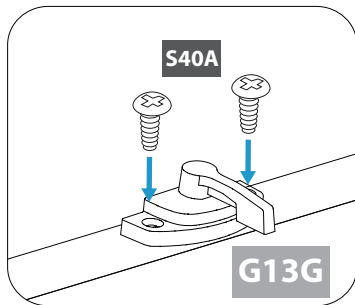
DOOR 2	QTY	Brace		QTY
	1		#G15D	1

**2.5A** Install door locks on DOOR 2. Place S40 locks on profiles G13D and G13G as shown. Center the levers so the screw holes are visible.

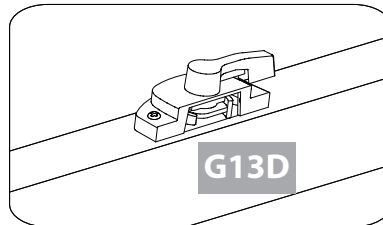
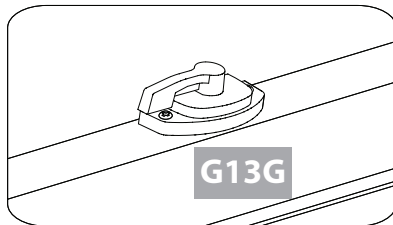


**IMPORTANT:** Install door locks so levers face the panels.

**2.5B** Secure each S40 lock with two S40A screws.



**2.5C** Move lever to the right side to place lock in the unlocked position.

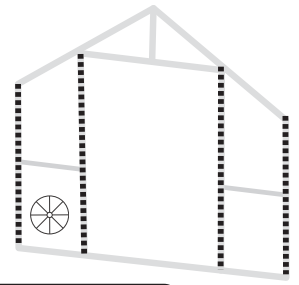


**NOTE:** Door locks are shown in the UNLOCKED position. When door is installed in step 14 and door is closed, move lever to the left side to lock door.

**NOTE:** ALL VIEWS ARE FROM INSIDE.

Lock		QTY
	#S40	2
	#S40A	4

# Assemble Front

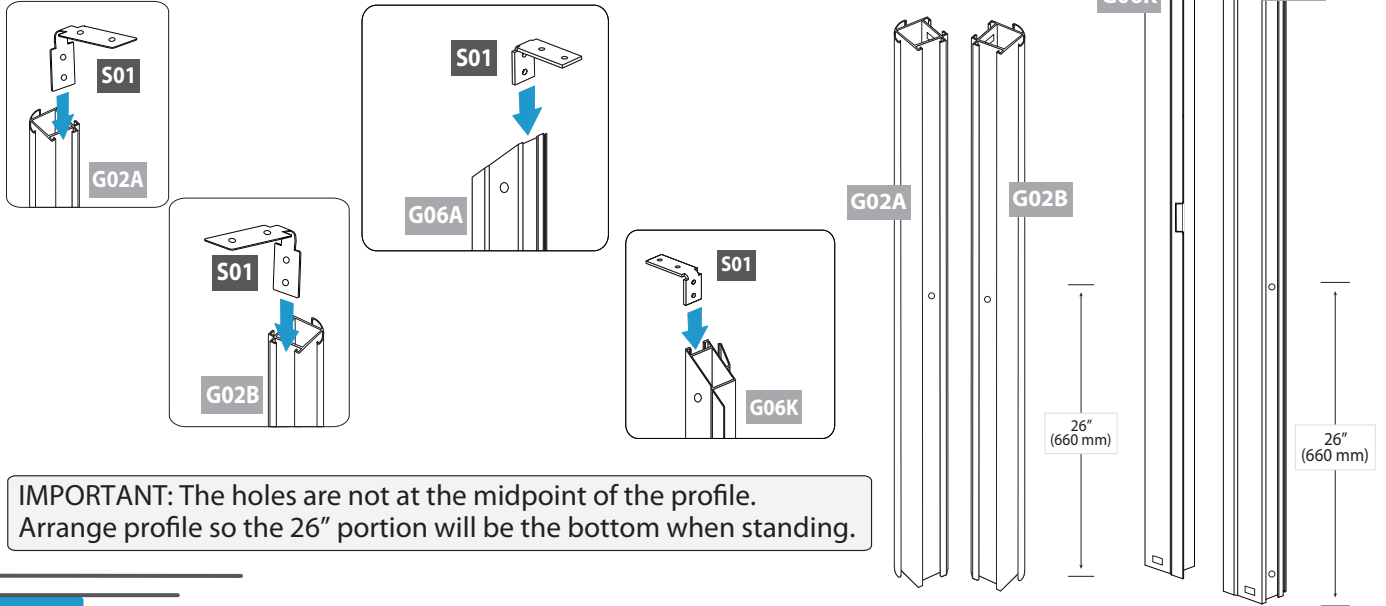


Place all the parts for the front face on a level surface. Make sure the pieces are in the correct positions before assembling. Carefully follow the order of assembly to ensure an easy installation. Wear proper safety gear including work shoes, gloves and goggles.



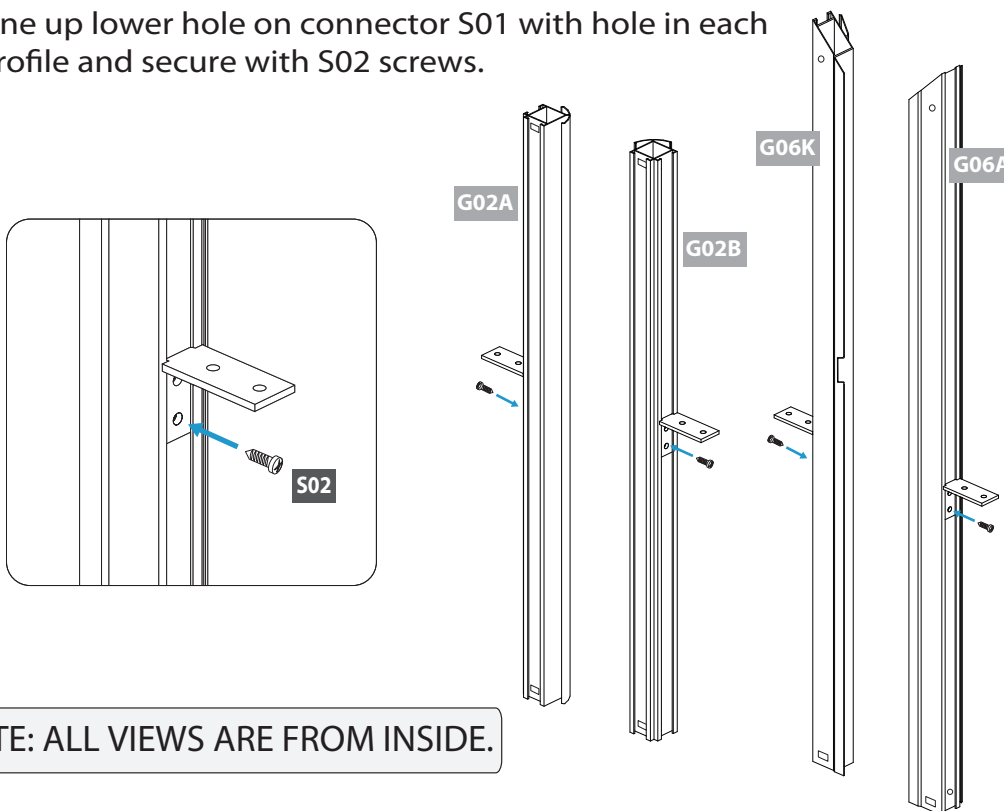
The front is assembled with the outside face to the ground. ALL VIEWS ARE SHOWN FROM INSIDE.

**3.1A** Lay out profiles G02A, G02B, G06A and G06K so all holes line up. Slide short side of connector S01 into channels of profiles G02A, G02B, G06A and G06K.



**IMPORTANT:** The holes are not at the midpoint of the profile. Arrange profile so the 26" portion will be the bottom when standing.

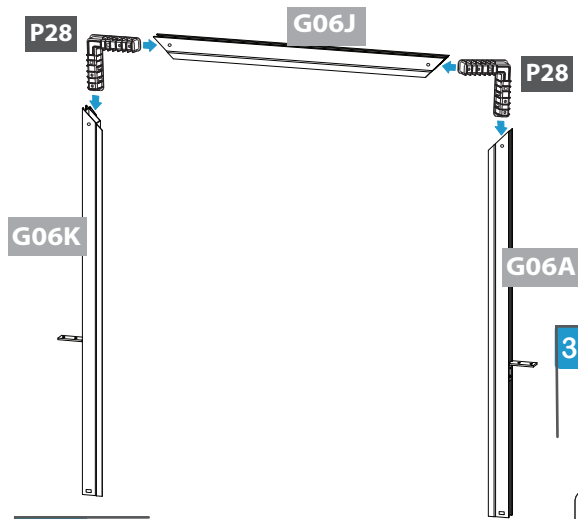
**3.1B** Line up lower hole on connector S01 with hole in each profile and secure with S02 screws.



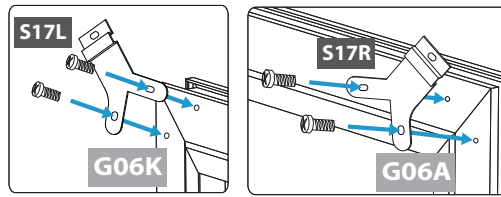
**NOTE:** ALL VIEWS ARE FROM INSIDE.

Profile	QTY	Profile	QTY	Connector	QTY
#G02A	1	#G06A	1	#S01	4
#G02B	1	#G06K	1	#S02	4

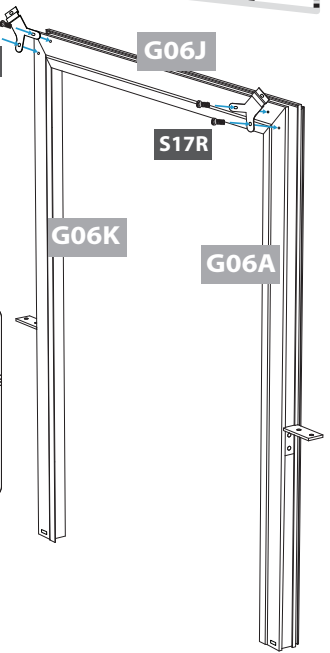
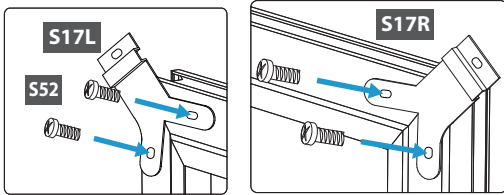
**3.2A** Slide profiles G06J into G06A and G06K using connectors P28. NOTE: P28 connectors do not snap into place.



**3.2B** Place connectors S17L and S17R on corners matching up bottom two holes with holes in profiles G06A, G06J and G06K as shown.



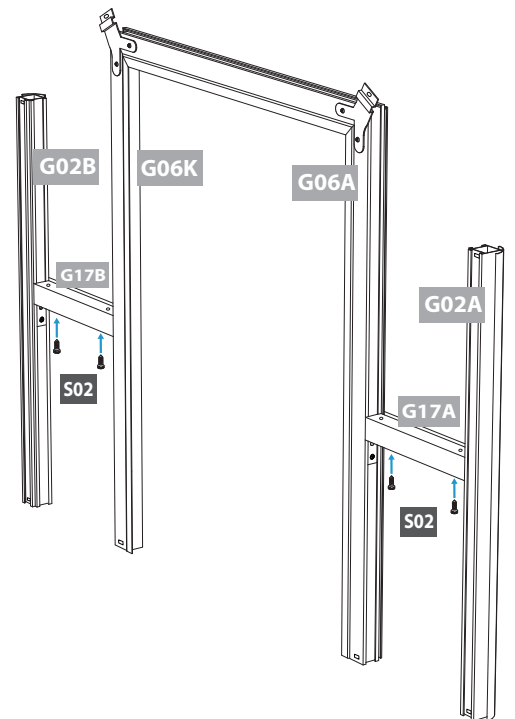
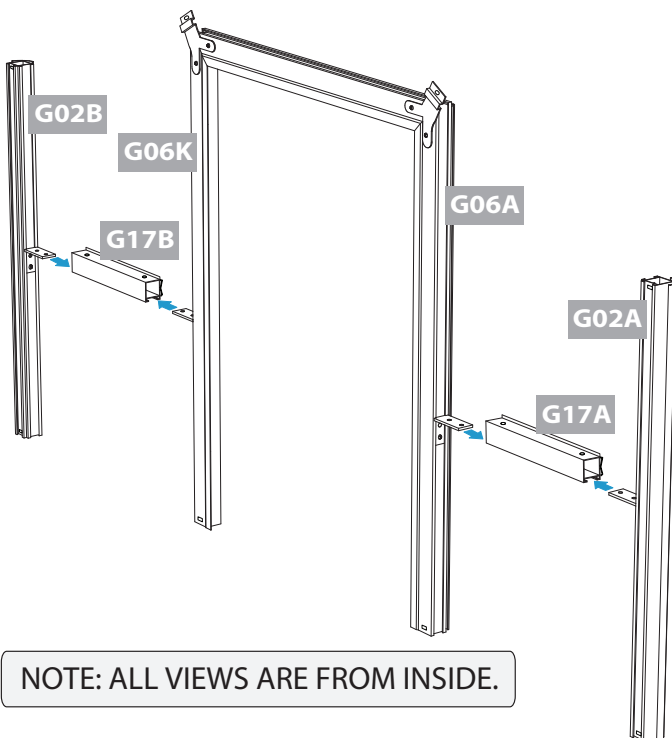
**3.2C** Secure each connector with S52 screws.



Profile	QTY	Connector	QTY	Connector	QTY	Connector	QTY
	#G06J	1		#P28	2		#S17L
							#S52
							#S17R
							#S52

**3.3A** Attach profiles G02B and G06K to profile G17B. Slide long sides of connectors S01 into channels of profile G17B, lining up last hole in S01 with holes in profile G17B. Attach profiles G06A and G02A to profile G17A. Slide long side of connectors S01 into channels of profiles G17A, lining up last hole of S01 with holes in G17A.

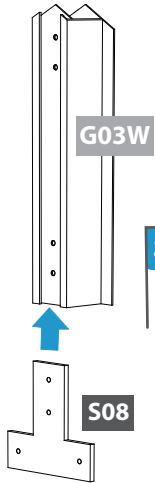
**3.3B** Secure with S02 screws.



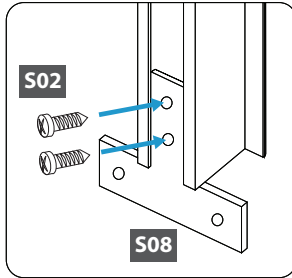
NOTE: ALL VIEWS ARE FROM INSIDE.

Profile	QTY	Screw	QTY
	#G17A	1	
	#G17B	1	#S02
			4

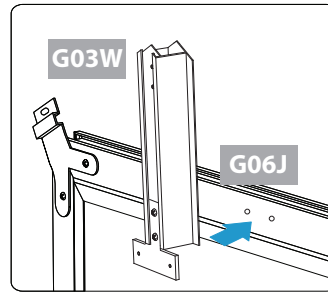
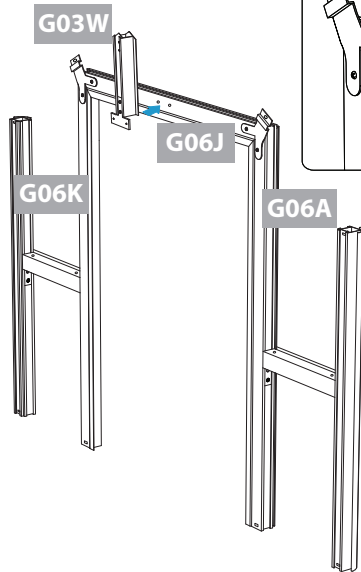
**3.4A** Slide connector S08 into channel of profile G03W.



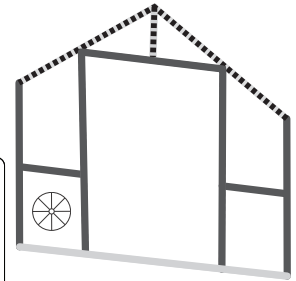
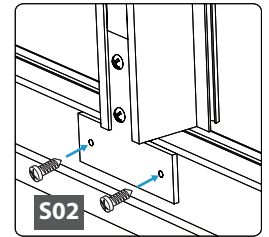
**3.4B** Secure with two S02 screws.



**3.4C** Place connector S08 on profile G06J lining up holes in profile with holes in connector.



**3.4D** Secure with two S02 screws.

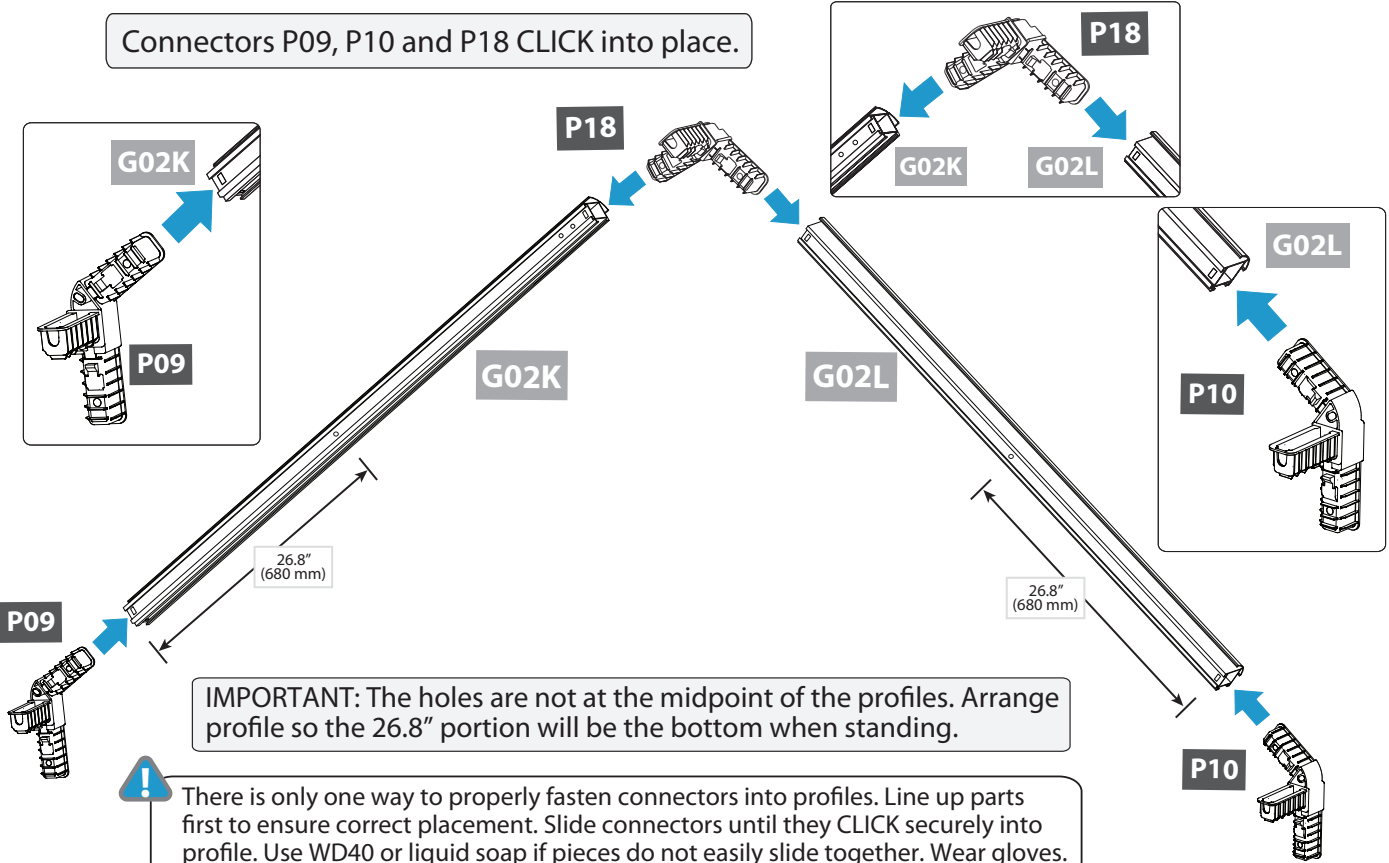


NOTE: ALL VIEWS ARE FROM INSIDE.

Profile	QTY	Connector	QTY
#G03W	1	#S08	1
		#S02	4

**3.5** Slide profiles G02K and G02L into connectors P09, P10 and P18 until they click into place.

Connectors P09, P10 and P18 CLICK into place.



**IMPORTANT:** The holes are not at the midpoint of the profiles. Arrange profile so the 26.8" portion will be the bottom when standing.

**!** There is only one way to properly fasten connectors into profiles. Line up parts first to ensure correct placement. Slide connectors until they CLICK securely into profile. Use WD40 or liquid soap if pieces do not easily slide together. Wear gloves.

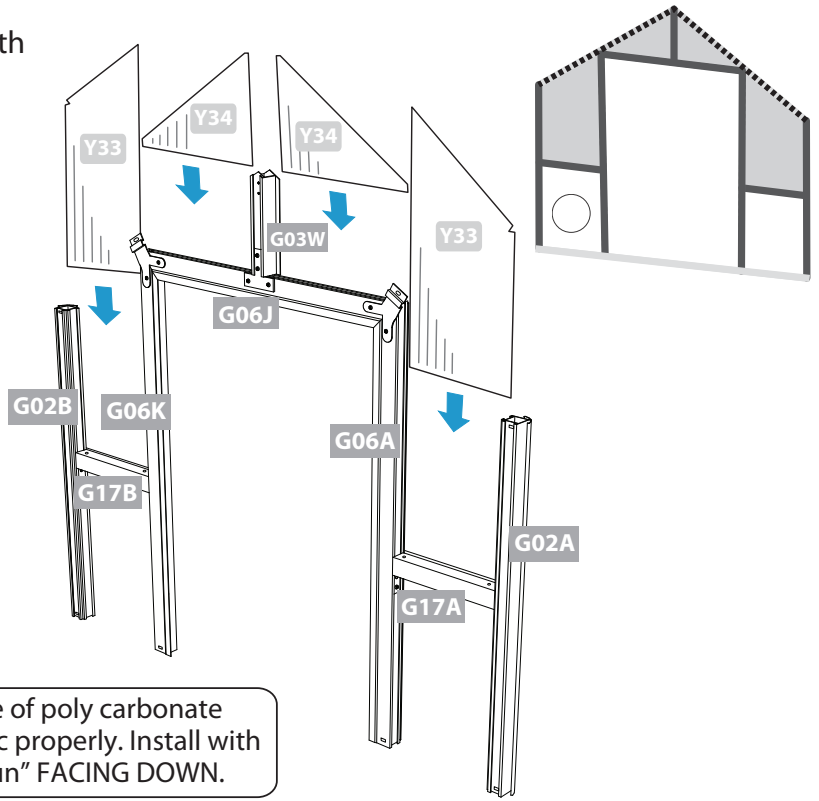
Profile	QTY	Connector	QTY	Connector	QTY	Connector	QTY
#G02K	1	#P09	1	#P10	1	#P18	1
#G02L	1						

**3.6** Remove protective plastic from both sides of panels Y33 and Y34. Place side to face toward the sun facing down. Fit panel into V-channel on profile L06J.



Slide Y34 panels into profile G03W and fit bottom edges into profile G06J.

Slide panel Y33 between profiles G02B and G06K, fitting bottom edge into profile G17B.

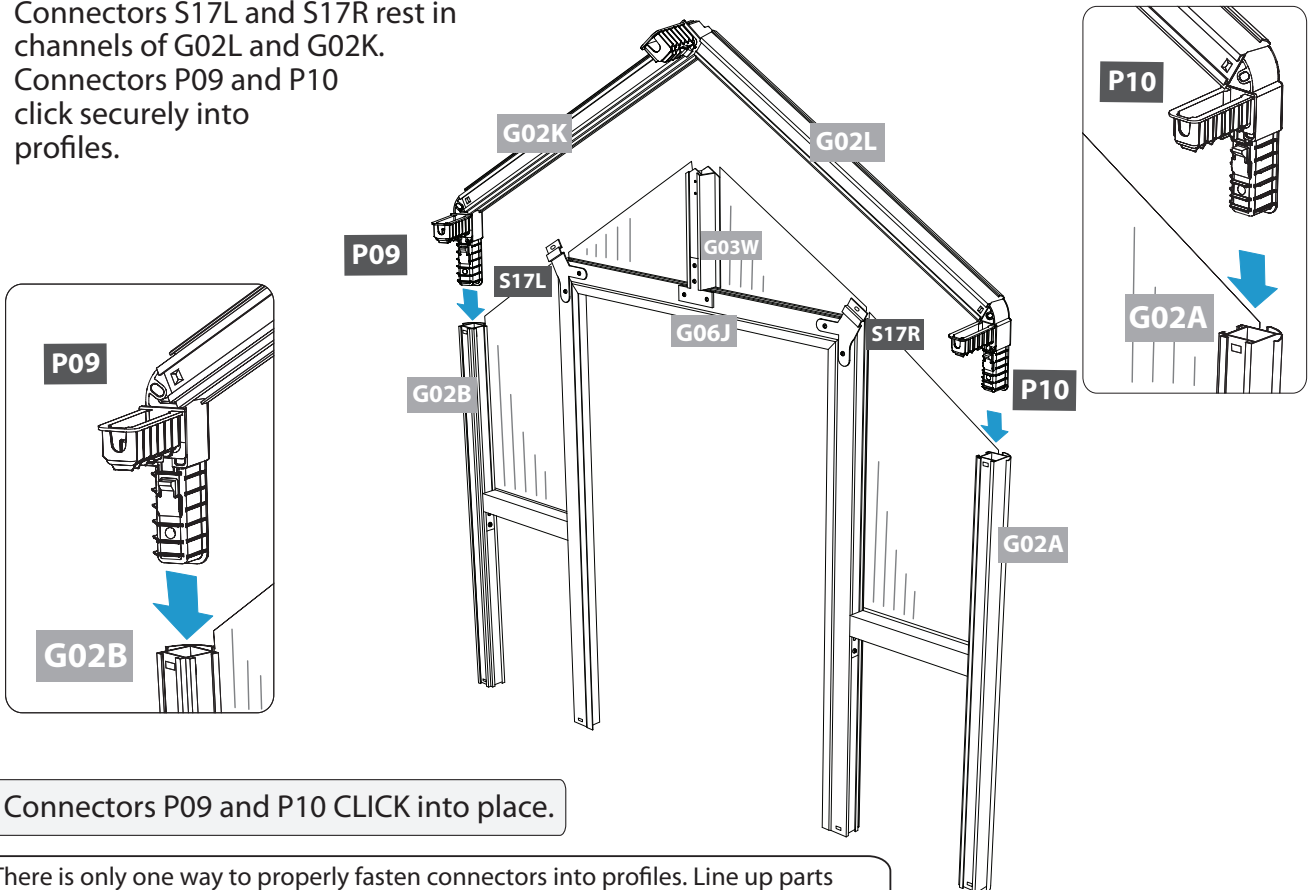
Slide panel Y33 between profiles G02A and G06A, fitting bottom edge into profile G17A.



**!** Remove protective plastic from EACH side of poly carbonate panels before installing. Dispose of plastic properly. Install with side labeled "Face this side towards the sun" FACING DOWN.

Panel	QTY	Panel	QTY		
	#Y33	2		#Y34	2

**3.7A** Slide connectors P09 and P10 half way into profiles G02A and G02B. Continue sliding together making sure panels Y33 and Y34 and profile G03W fit into V-channels of profiles G02L and G02K. Connectors S17L and S17R rest in channels of G02L and G02K. Connectors P09 and P10 click securely into profiles.

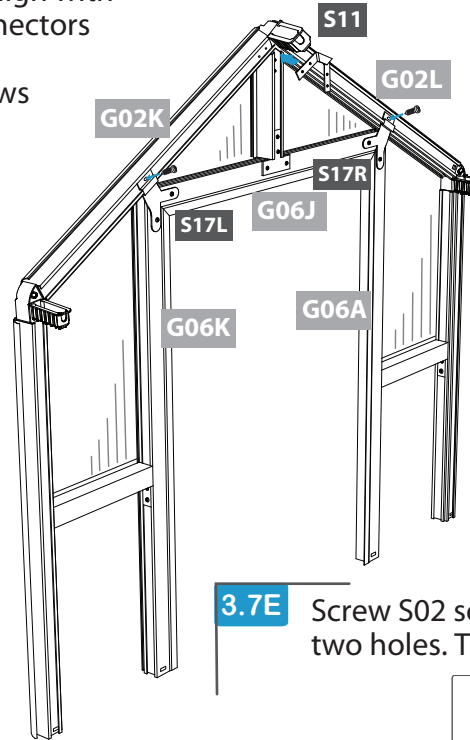
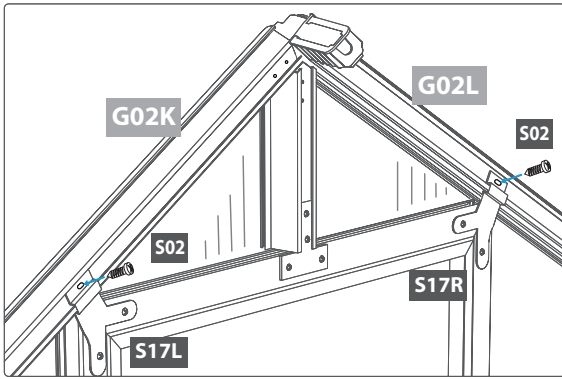
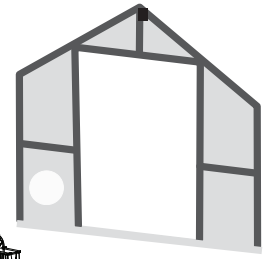


Connectors P09 and P10 CLICK into place.

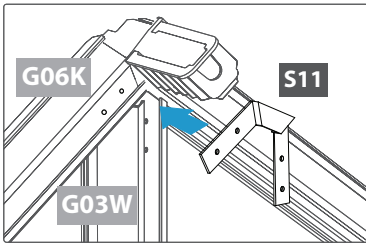
**!** There is only one way to properly fasten connectors into profiles. Line up parts first to ensure correct placement. Slide connectors until they CLICK securely into profile. Use WD40 or liquid soap if pieces do not easily slide together. Wear gloves.



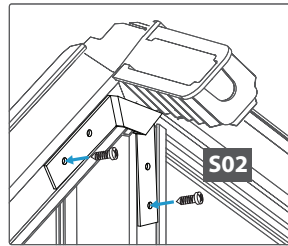
**3.7B** Loosen the four screws in connectors S17L and S17R enough to adjust door frame profiles G06A, G06J and G06K and align with gable profiles G02L and G02K. Secure connectors S17L and S17R to profiles G02K and G02L with two S02 screws and tighten four screws connecting profiles G06A, G06J and G06K.



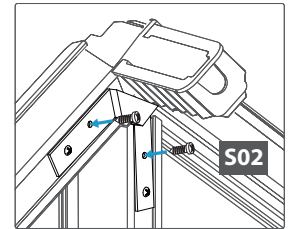
**3.7C** Place connector S11 onto profiles G02K and G03W, lining up all holes.



**3.7D** Screw S02 screws partially into bottom two holes. Do not tighten.



**3.7E** Screw S02 screws into top two holes. Tighten all screws.



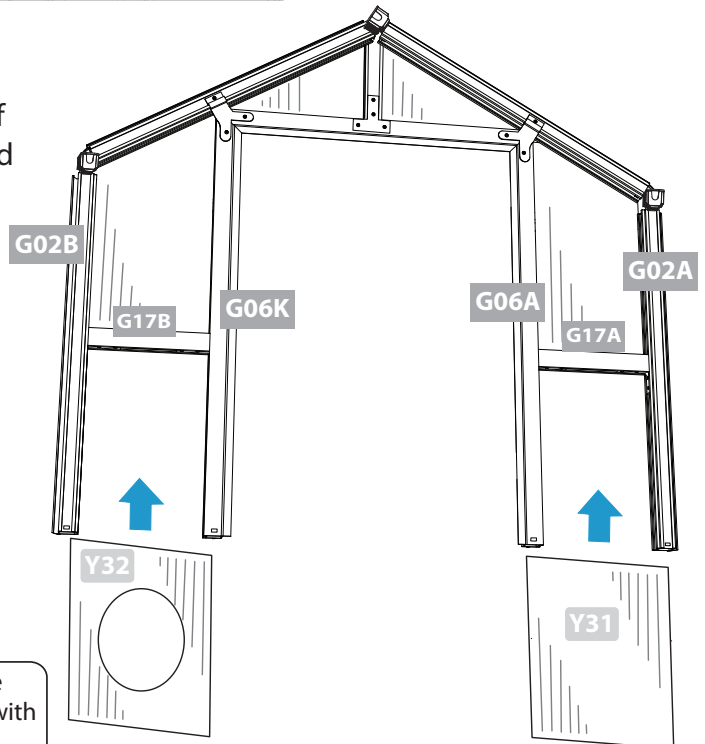
ALL VIEWS FROM INSIDE.

IMPORTANT: Make sure all profiles are aligned before tightening connectors S17L and S17R with S02 screws.

Connector		QTY
	#S02	6
	#S11	1

**3.8A** Remove protective plastic from both sides of panels Y31 and Y32. Place side to face toward the sun facing down.

Slide Y31 and Y32 panels into V-channels on profiles G02A, G02B, G06A and G06K. Fit top edge into profiles G17A and G17B.



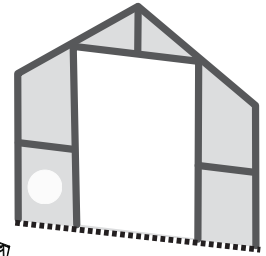
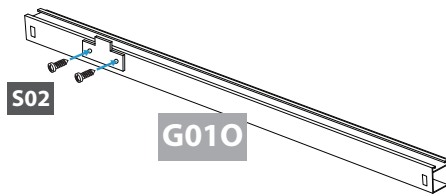
**!** Remove protective plastic from EACH side of poly carbonate panels before installing. Dispose of plastic properly. Install with side labeled "Face this side towards the sun" FACING DOWN.

Panel		QTY	Panel	QTY	
	#Y31	1		#Y32	1

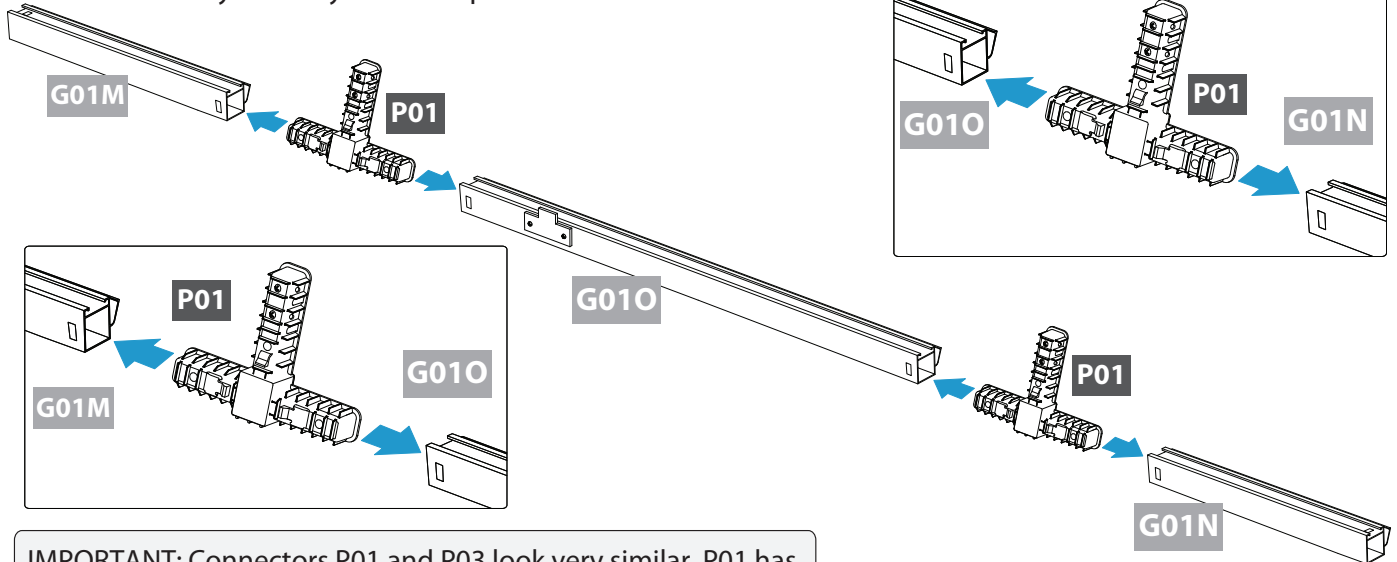
**3.8B** Line up connector S08C with holes on profiles G01O as shown.



**3.8C** Secure with two S02 screws.



**3.9A** Line up profiles G01M, G01N and G01O with connectors P01 as shown. Slide connectors into profiles until they securely click into place.

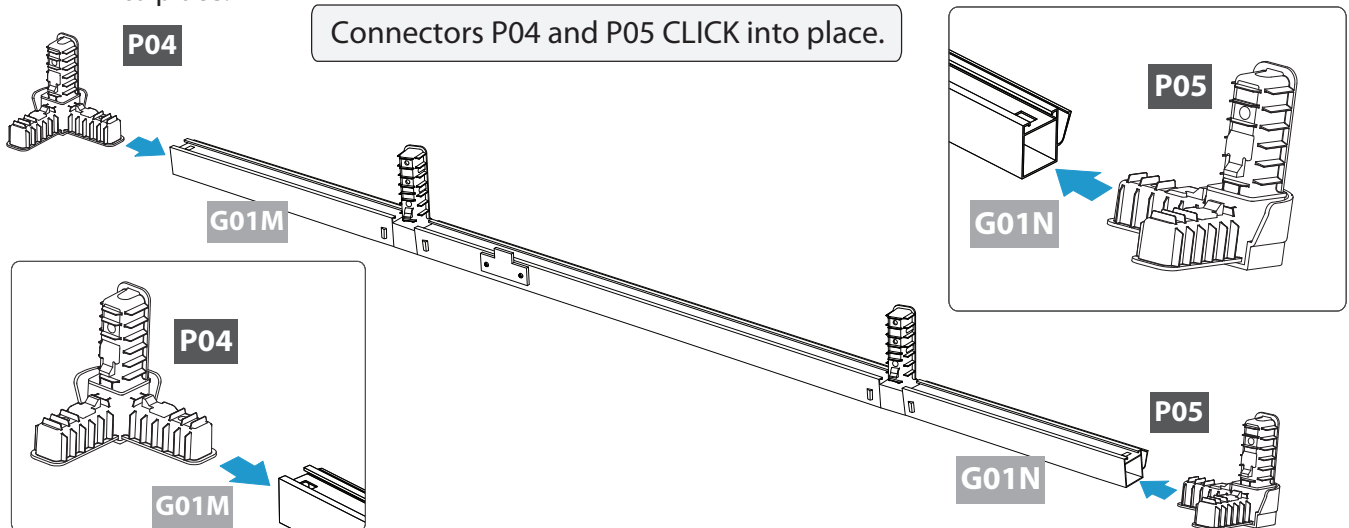


**IMPORTANT:** Connectors P01 and P03 look very similar. P01 has built in nuts used to support door hinges installed in Step 14. **MAKE SURE TO USE CONNECTOR P01 FOR THIS STEP.**

Connectors P01 **CLICK** into place.

Profile	QTY	Connector	QTY	Connector	QTY
	#G01M	1		#S02	2
	#G01N	1		#S08C	1
	#G01O	1		#P01	2

**3.9B** Slide connectors P04 into profile G01M and connector P05 into profile G01N until they securely click into place.



Connectors P04 and P05 **CLICK** into place.

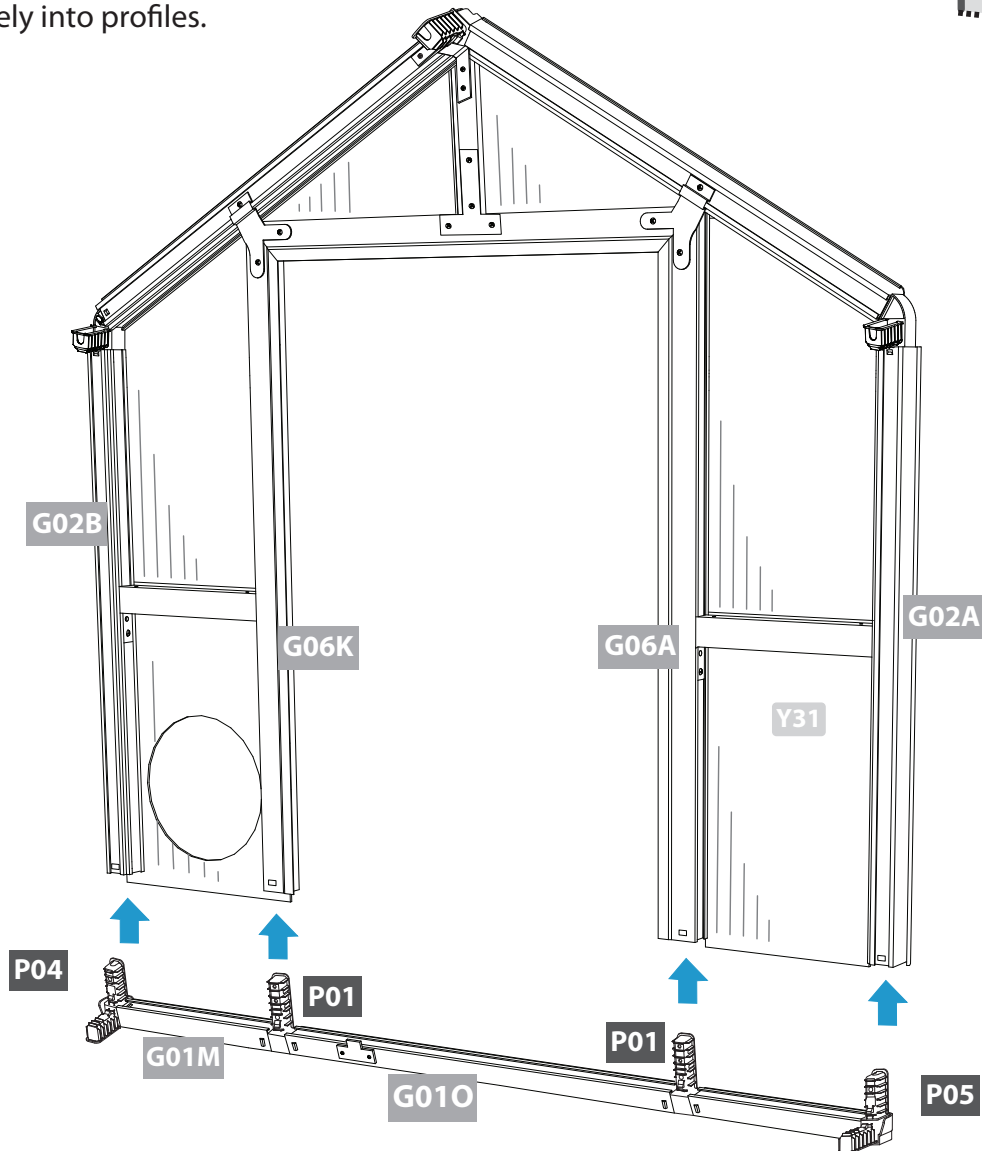
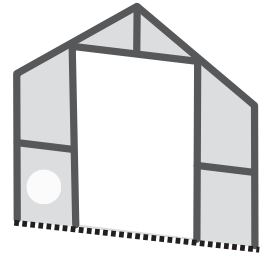
**!** There is only one way to properly fasten connectors into profiles. Line up parts first to ensure correct placement. Slide connectors until they **CLICK** securely into profile. Use WD40 or liquid soap if pieces do not easily slide together. Wear gloves.

**NOTE: ALL VIEWS ARE FROM INSIDE.**

Connector	QTY	Connector	QTY		
	#P04	1		#P05	1

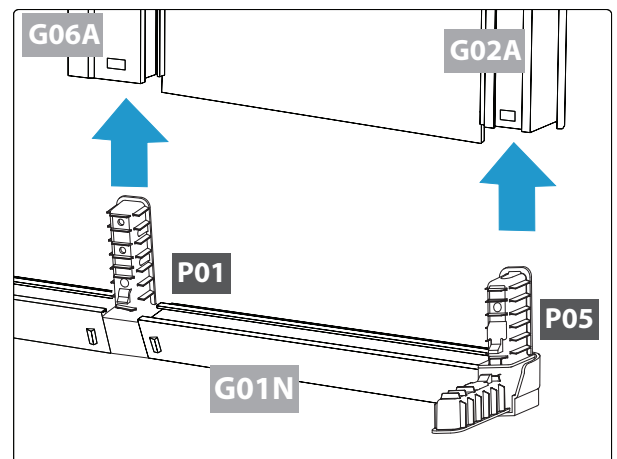
### 3.10

As you slide bottom profiles G01M, G01N and G01O half way into place, carefully line up P01 connectors with G06K and G06A and P04 and P05 connectors with profiles G02B and G02A. Continue sliding, making sure panels Y31 and Y32 fit into V-channels. Snap connectors P01, P04 and P05 securely into profiles.



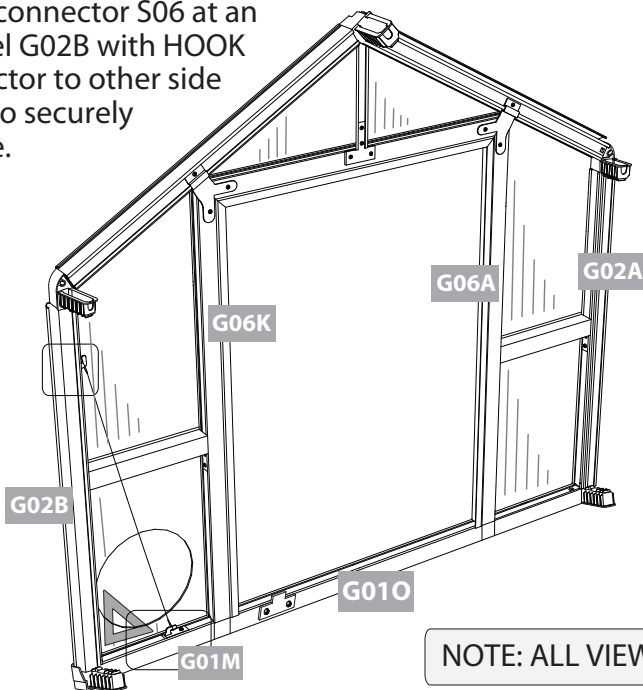
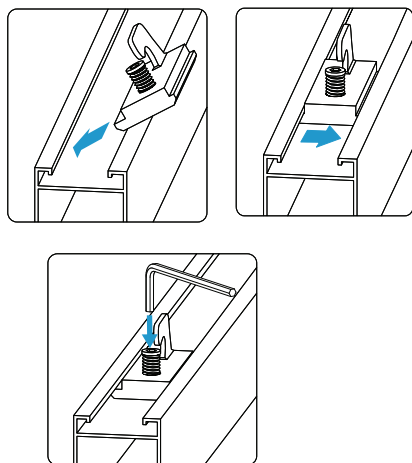
NOTE: ALL VIEWS ARE FROM INSIDE.

Connectors P01, P04 and P05 CLICK into place.



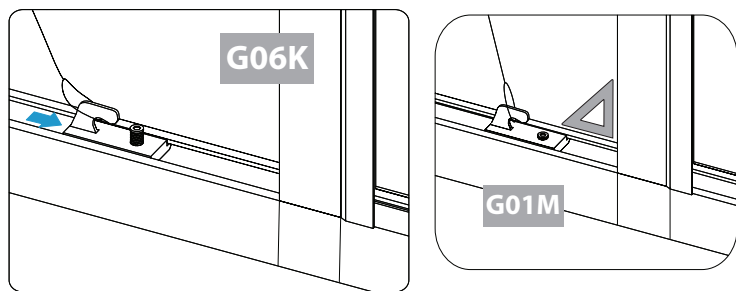
There is only one way to properly fasten connectors into profiles. Line up parts first to ensure correct placement. Slide connectors until they CLICK securely into profile. Use WD40 or liquid soap if pieces do not easily slide together. Wear gloves.

**3.11A** Insert long side of cable connector S06 at an angle into profile channel G02B with HOOK FACING UP. Slide connector to other side of channel. Use hex key to securely tighten and hold in place.



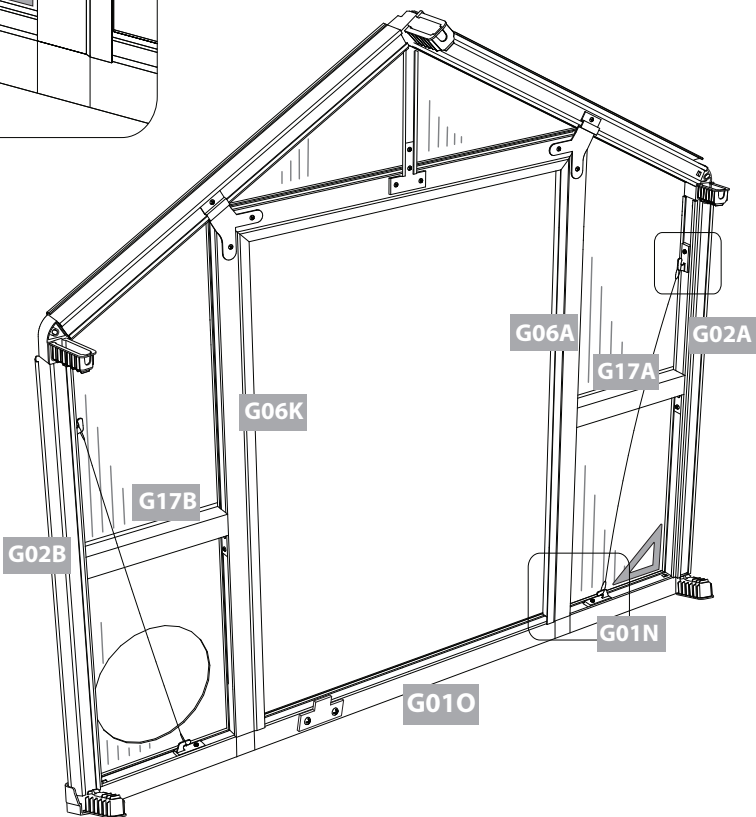
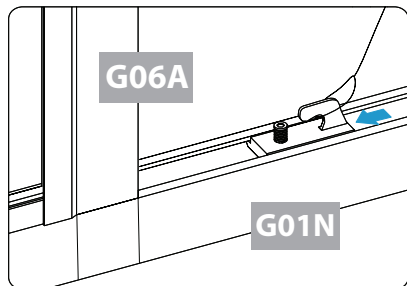
NOTE: ALL VIEWS ARE FROM INSIDE.

**3.11B** Attach one side of short cable S16 to hook on S06 and lace over profile G17B. Attach other side of cable to a second S06 cable connector and with hook facing center, insert into profile channel G01M. Push the S06 connector towards center until profile corners are square and cable is tight. Use hex key to securely tighten and hold in place.

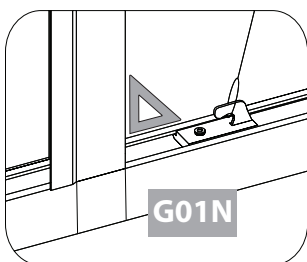


IMPORTANT: Make sure all corners are squared at 90 degrees.

**3.12** Repeat step 3.11 inserting cable connectors S06 into profiles G02A and G01N. Cable rests over profile G17A. Slide connector until profile corners are square and cable is tight. Use hex key to securely tighten second connector and hold in place.

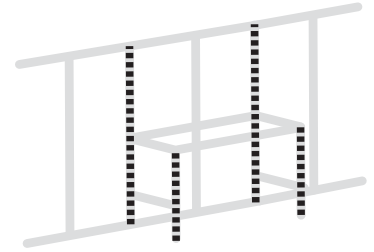



IMPORTANT: Make sure all corners are squared at 90 degrees.



Hex Key	QTY	Cable Connector	QTY	Cable	QTY
	1		#S06		#S16
			4		2

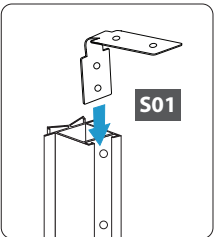
# Assemble Sides



 Place all the parts for the sides on a level surface. Make sure the pieces are in the correct positions before assembling. Carefully follow the order of assembly to ensure an easy installation. Wear proper safety gear including work shoes, gloves and goggles.

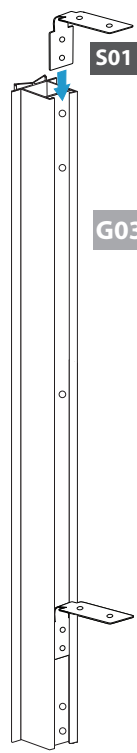
 You are assembling both sides in the following steps. Both sides are identical until step 6.1

**4.1A** Line up the four profiles G03V so the holes are at the same position. Slide short side of connectors S01 into channel of profile until the last hole in S01 lines up with third hole from the bottom on profile G03V.

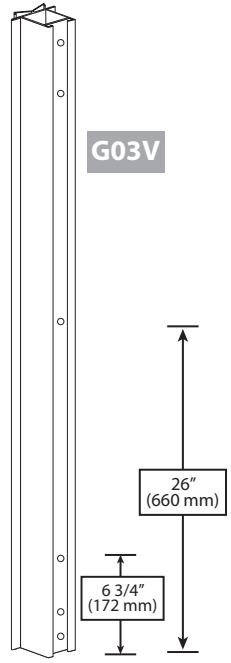
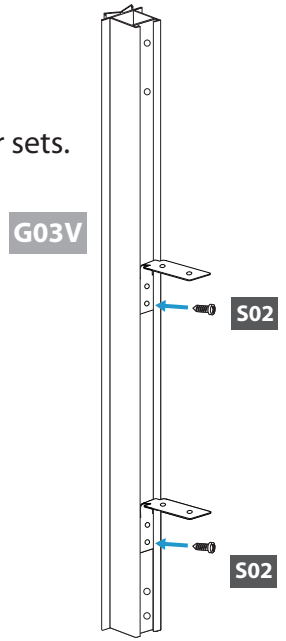


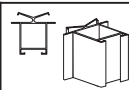
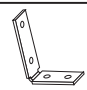

**IMPORTANT:** The holes are not at the midpoint of the profile. Arrange profile so the 26" portion will be the bottom when standing.

**4.1B** Slide another connector S01 so it lines up with the middle hole on profile G03V.

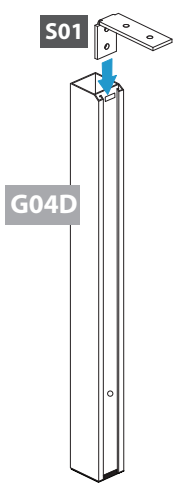


**4.1C** Secure all pieces with S02 screws. Repeat to make four sets.

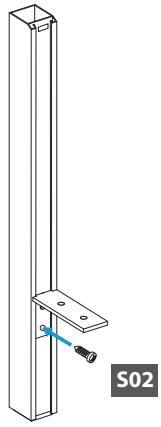


Profile	QTY	Connector	QTY
 #G03V	4	 #S01	8
		 #S02	8

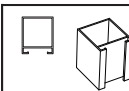
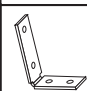

**4.2A** Lay out profiles G04D so the holes are at the same position. Slide short side of connector S01 into channel of profile, lining the last hole in S01 with the hole on profile G04D.



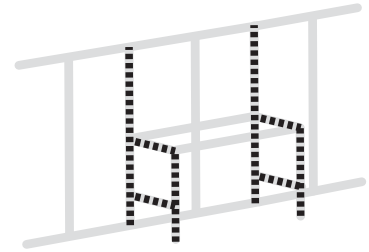
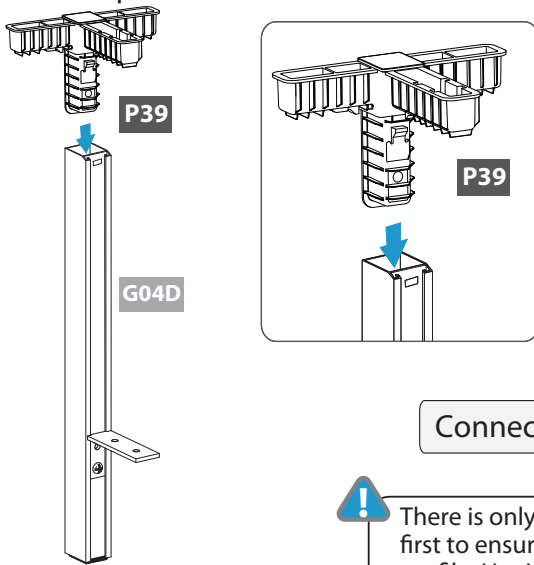
**4.2B** Secure with S02 screw. Repeat to make four sets.




**NOTE:** ALL VIEWS ARE FROM INSIDE.

Profile	QTY	Connector	QTY
 #G04D	4	 #S01	4
		 #S02	4

**4.3** Slide connector P39 into profile G04D until it snaps into place. Repeat to make four sets.

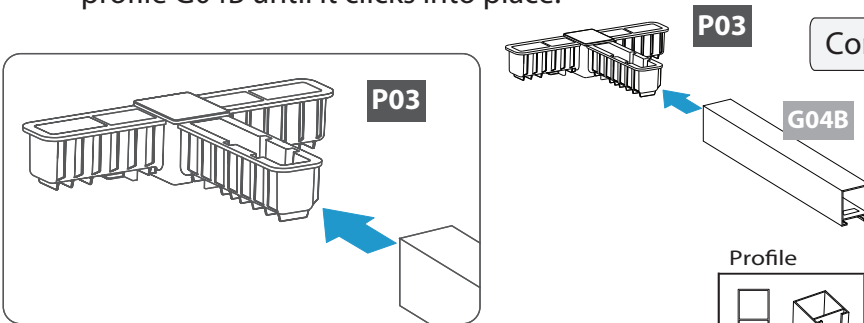


Connector P39 CLICKS into place.

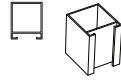
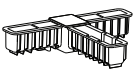
Connector	QTY
 #P39	4

**!** There is only one way to properly fasten connectors into profiles. Line up parts first to ensure correct placement. Slide connectors until they CLICK securely into profile. Use WD40 or liquid soap if pieces do not easily slide together. Wear gloves.

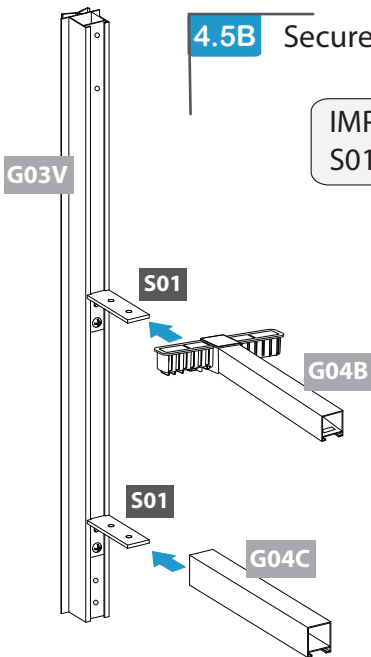
**4.4** Slide connector P03 into profile G04B until it clicks into place.



Connector P03 CLICKS into place.

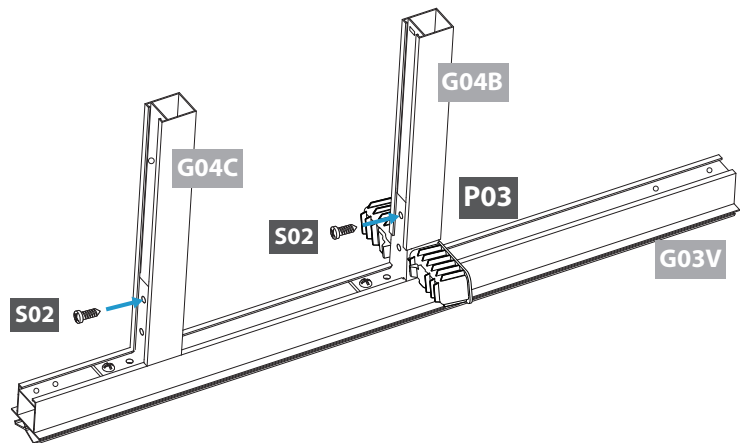
Profile	QTY	Connector	QTY
 #G04B	4	 #P03	4

**4.5A** Attach profiles G04B and G04C to profile G03V by sliding the long sides of connectors S01 into the channels. The last hole of connector S01 lines up with the holes in the profiles.

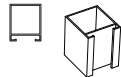



**4.5B** Secure with two S02 screws. Repeat to make four sets.

**IMPORTANT:** Connector P03 rests on top of connector S01. S02 screw secures S03 to profile G04B.

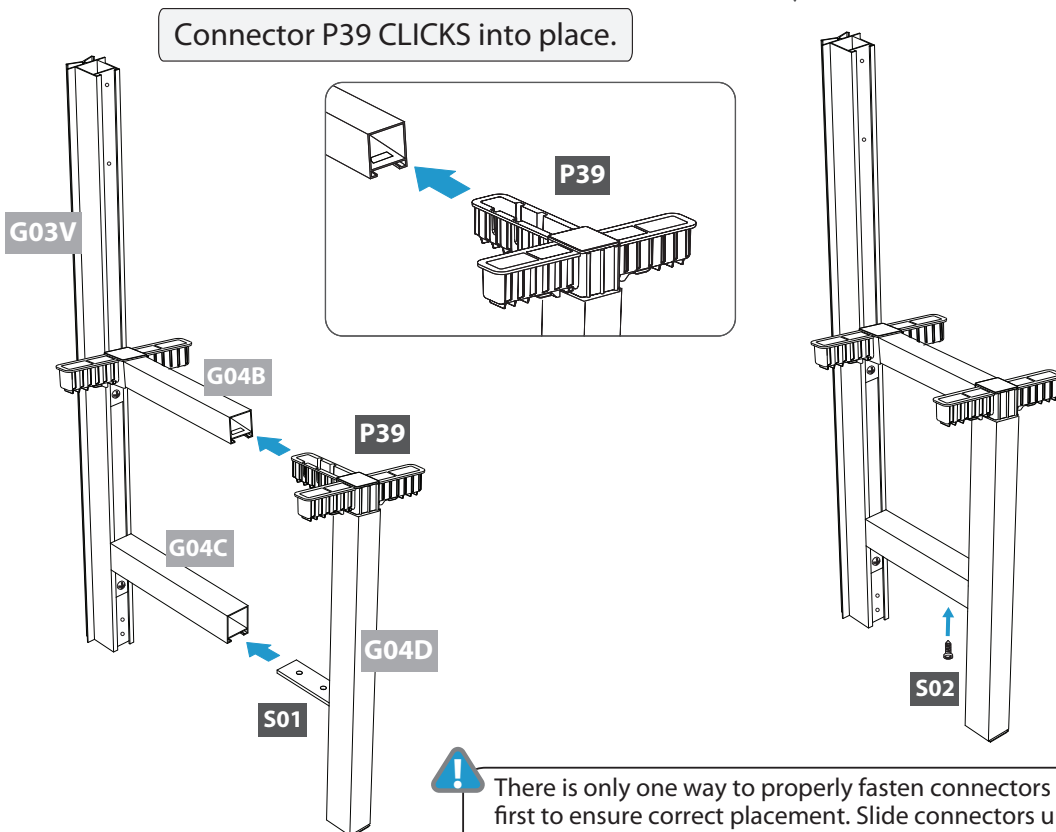



NOTE: ALL VIEWS ARE FROM INSIDE.

Profile	QTY	Screw	QTY
 #G04C	4	 #S02	8

**4.6A** Connect profile G04D by sliding connector P39 into profile G04B until it snaps in place. Slide connector S01 into channel of G04C.

**4.6B** Secure with S02 screw. Repeat to make four sets.

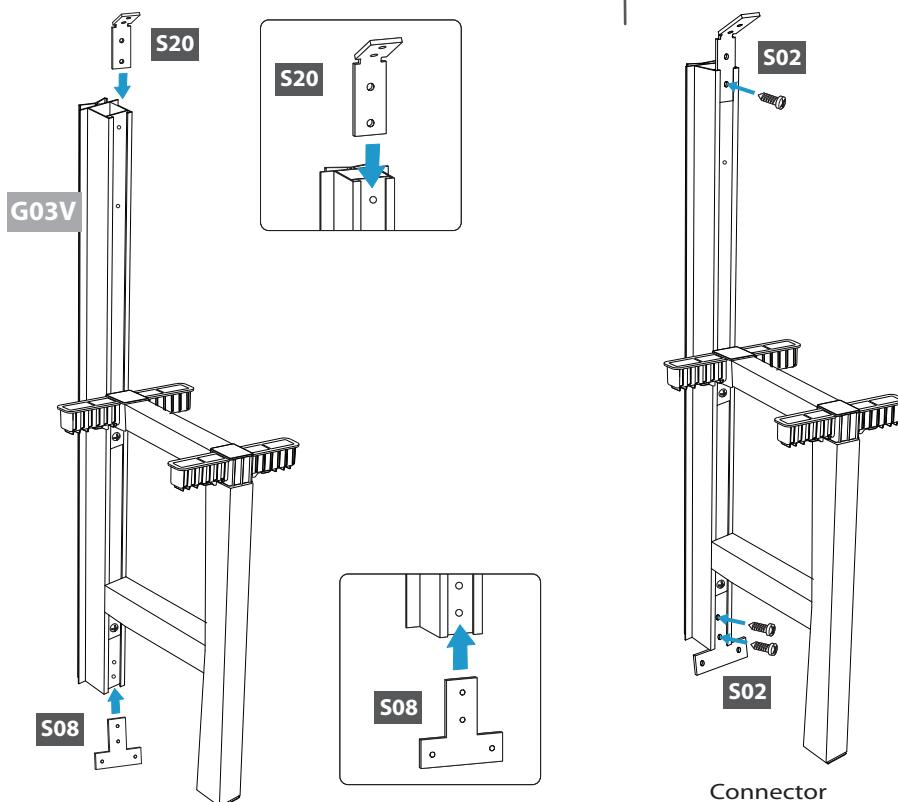


Screw		QTY
	#S02	4

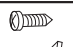
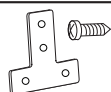
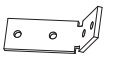

**!** There is only one way to properly fasten connectors into profiles. Line up parts first to ensure correct placement. Slide connectors until they CLICK securely into profile. Use WD40 or liquid soap if pieces do not easily slide together. Wear gloves.

**4.7A** Slide long side of connectors S20 and S08 into channel of profile G03V.

**4.7B** Secure with three S02 screws. Repeat to make four sets.

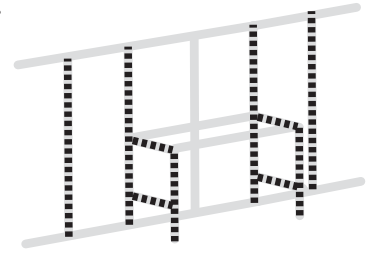
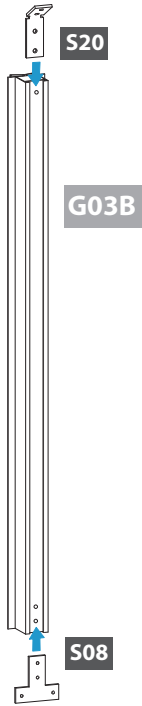


NOTE: ALL VIEWS ARE FROM INSIDE.

Connector		QTY	Connector	QTY	
	#S02	4		8	
	#S20	4		#S08	4

**4.8A**

Line up the four profiles G03B so the holes are at the same position. Slide long side of connectors S20 and S08 into channel of profile, lining up holes as shown.



**4.8B**

Secure with three S02 screws. Repeat to make four sets.



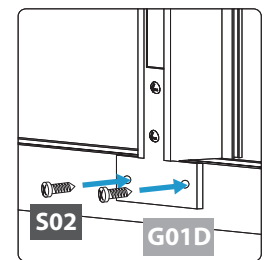
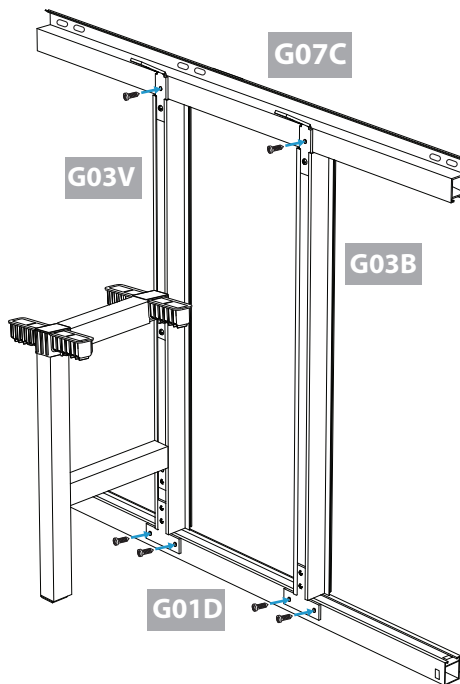
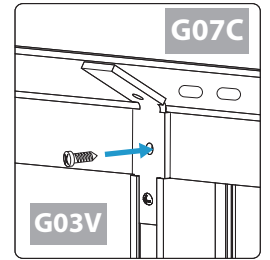
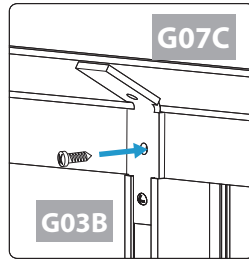
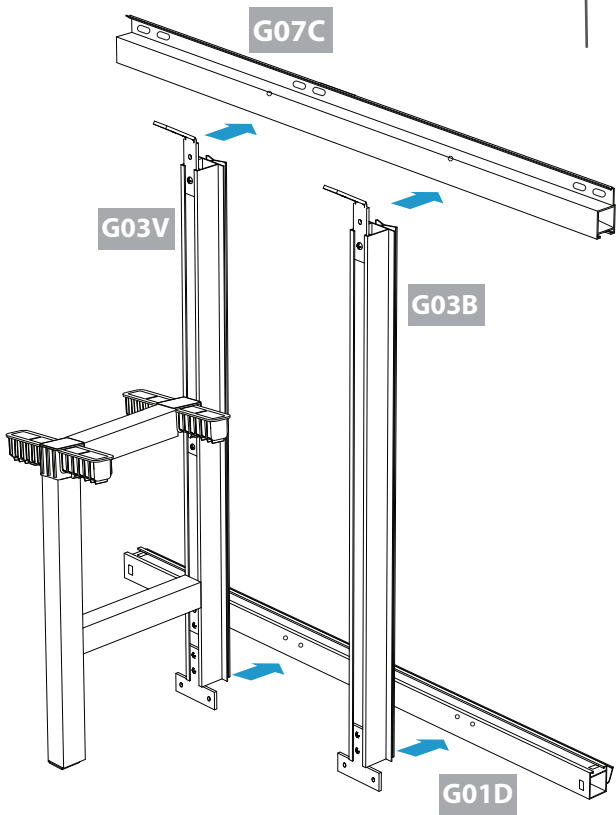
Profile	QTY	Connector	QTY	Connector	QTY
#G03B	4	#S02	4	#S08	4
		#S20	4	#S02	8

**4.9A**

Place profiles G03B and G03V onto profiles G07C and G01D. Line up holes as shown.

**4.9B**

Secure with six S02 screws. Repeat to make two sets.



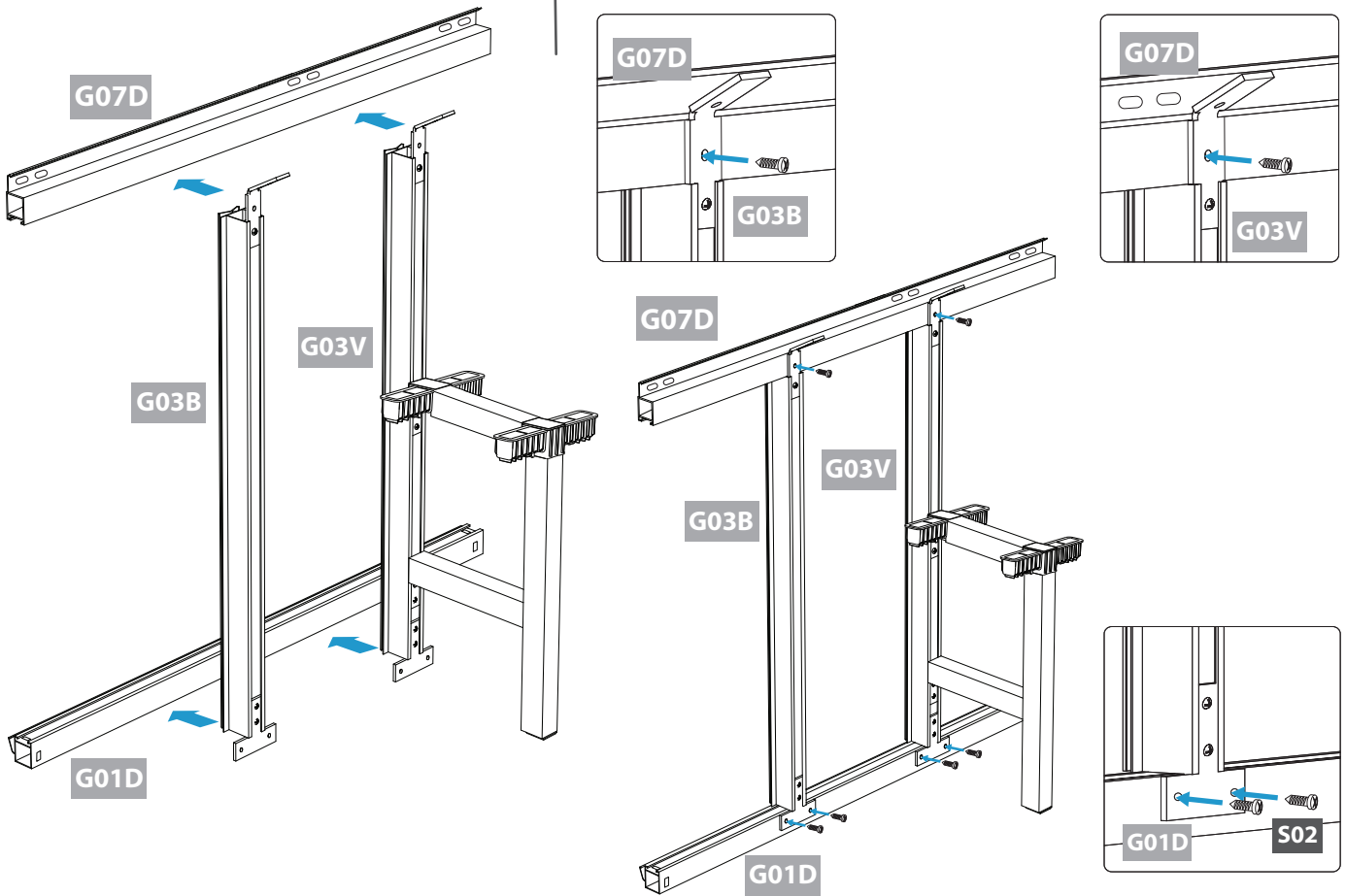
NOTE: ALL VIEWS ARE FROM INSIDE.

Profile	QTY	Profile	QTY	Screw	QTY
#G01D	2	#G07C	2	#S02	12



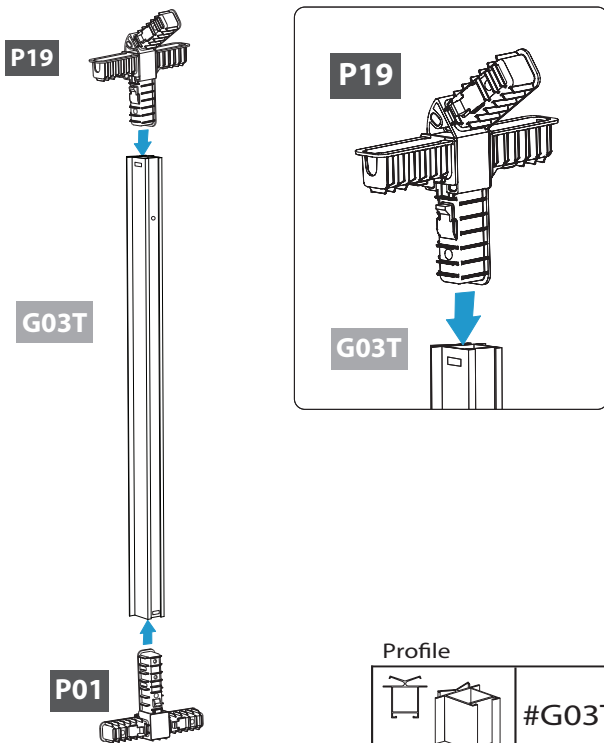
**4.10A** Place profiles G03B and G03V onto profiles G07D and G01D. Line up holes as shown.

**4.10B** Secure with six S02 screws. Repeat to make two sets.



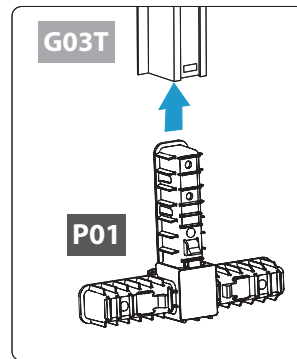
Profile	QTY	Profile	QTY	Screw	QTY
#G01D	2	#G07D	2	#S02	12

**4.11** Slide connectors P01 and P19 into profile G03T until they click securely into place. Repeat to make two sets.



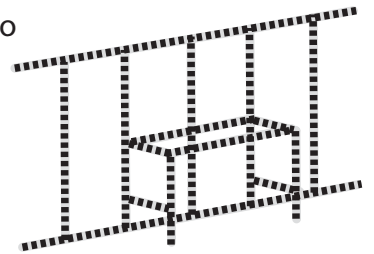
NOTE: ALL VIEWS ARE FROM INSIDE.

Connectors P01 and P19 CLICK into place.

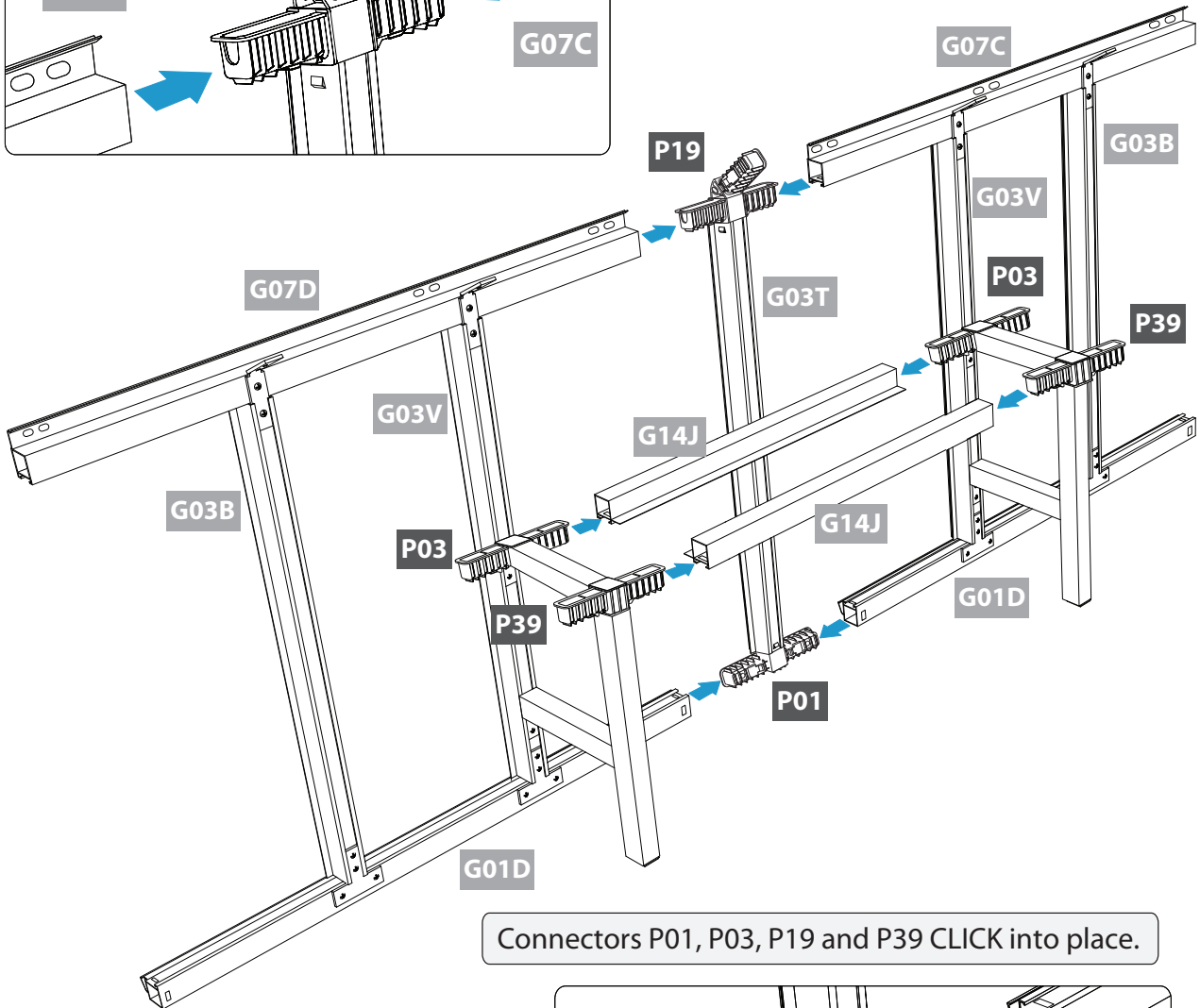
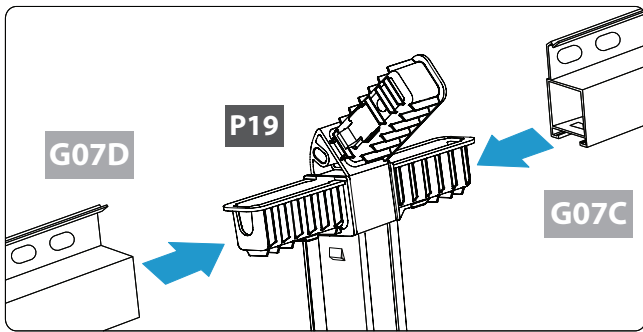


Profile	QTY	Connector	QTY	Connector	QTY
#G03T	2	#P01	2	#P19	2

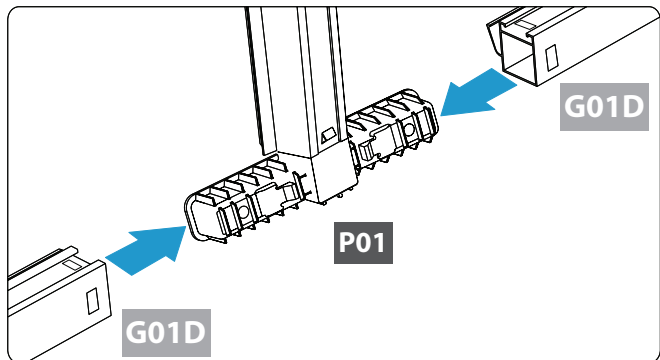
**4.12** Carefully slide sections together as shown. We recommend using two people for this step. Repeat to make two sets.



**!** There is only one way to properly fasten connectors into profiles. Line up parts first to ensure correct placement. Slide connectors until they CLICK securely into profile. Use WD40 or liquid soap if pieces do not easily slide together. Wear gloves.



Connectors P01, P03, P19 and P39 CLICK into place.

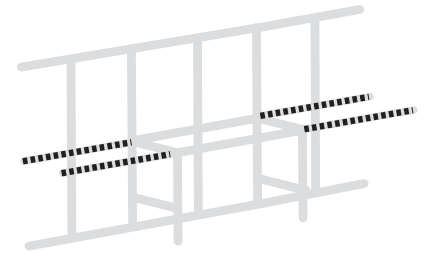


NOTE: ALL VIEWS ARE FROM INSIDE.

**!** NOTE: The two sides are identical. When you connect them to the back, there will be a right and left side. Stand these up.

Profile	QTY
 #G14J	4

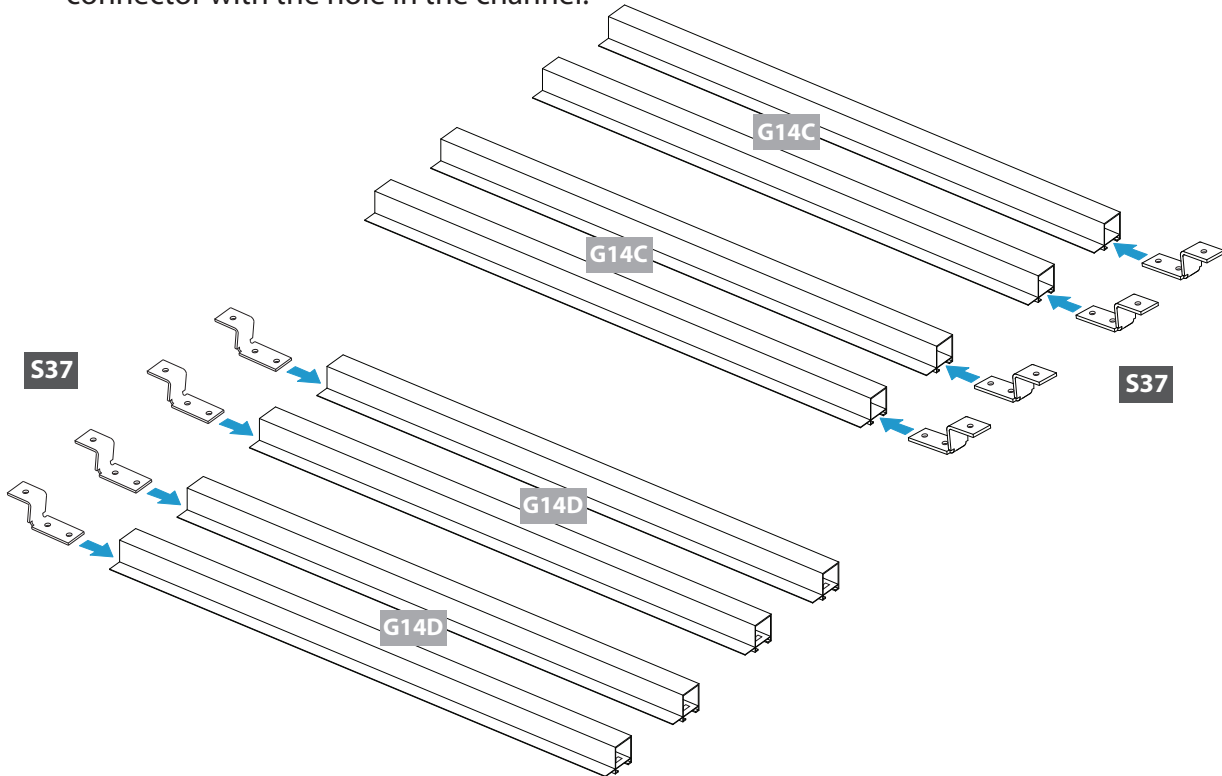
# Prepare Shelves



Place all the parts for the shelves on a level surface. Make sure the pieces are in the correct positions before assembling. Carefully follow the order of assembly to ensure an easy installation. Wear proper safety gear including work shoes, gloves and goggles.

## 5.1A

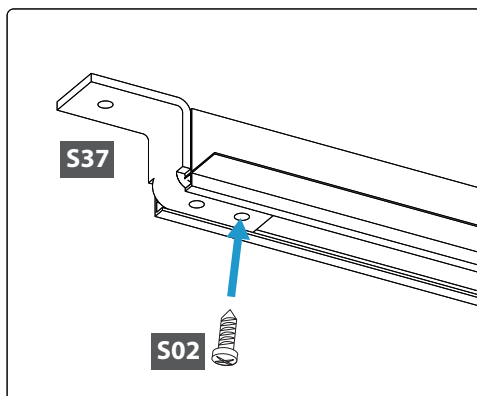
Line up the shelf profiles so the holes are at the same position. Slide long side of connector S37 into channel of each profile, lining up the last hole on the connector with the hole in the channel.



**IMPORTANT:** The shelf profiles have rectangular holes in the channel or side of one end. Slide connector S37 into other side, lining up last hole in connector with hole in the channel.

## 5.1B

Secure with S02 screw.

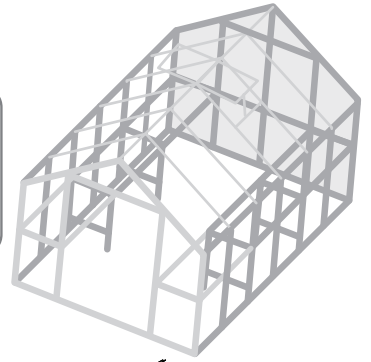


Profile		QTY	Connector		QTY
	#G14C	4		#S37	8
	#G14D	4		#S02	8

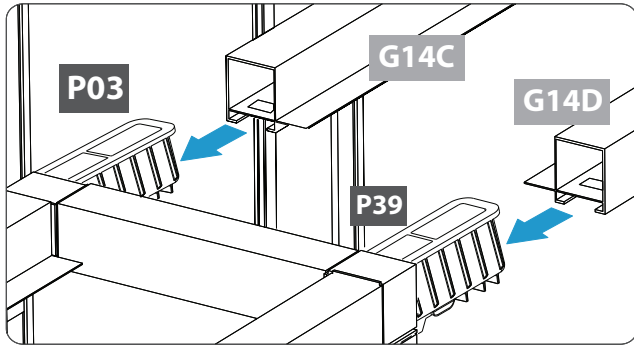
# Connect Sides to Back



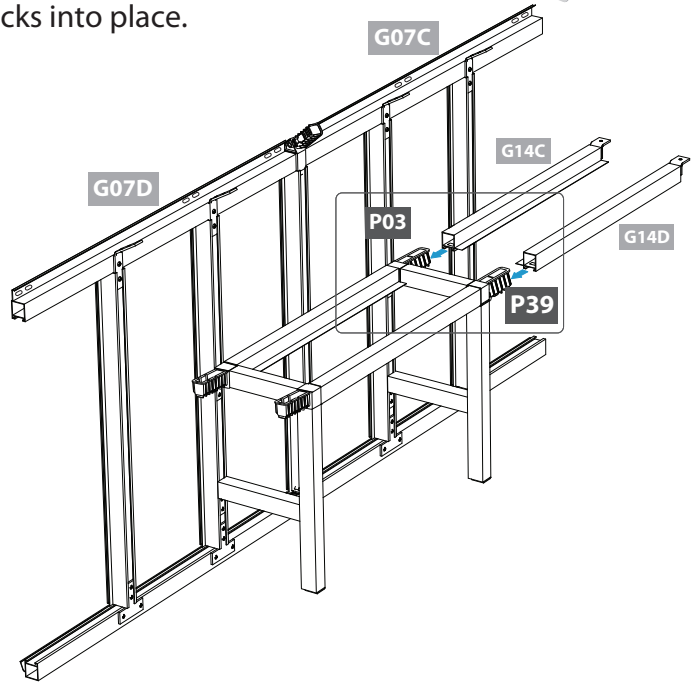
With the outside facing a wall, carefully stand back up and lean against the wall. Stand each side up and place next to the back. Both sides are identical until the shelf profiles are connected. Make certain that positions of profiles G07A and G07B match the diagrams before connecting.



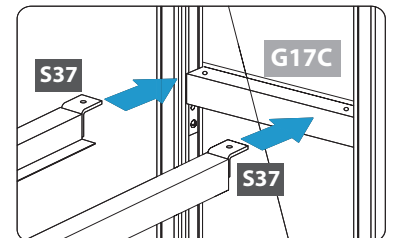
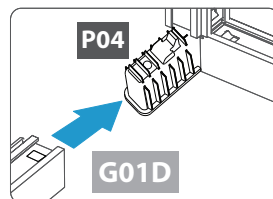
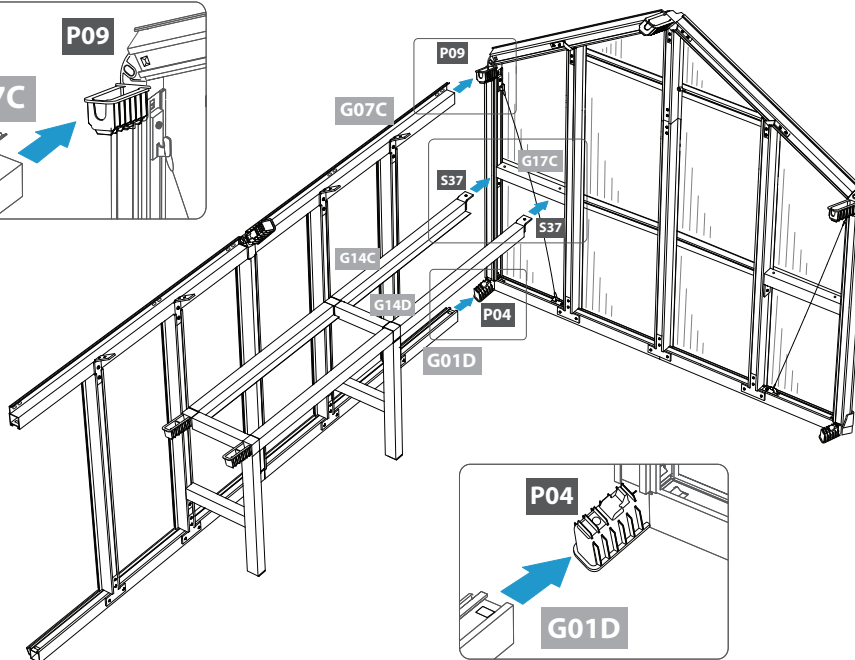
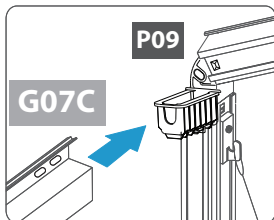
**6.1A** Set up one side facing inside with G07C next to the back. Slide shelf profile G14C into connector P03 until it clicks into place. Slide shelf profile G14D into connector P39 until it clicks into place.



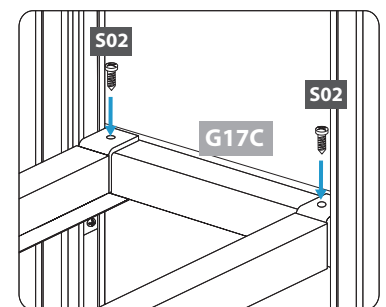
Connectors P03 and P39 **CLICK** into place.



**6.1B** Carefully slide left side into back, lining up connectors with profiles. Move side so connectors P09 and P04 are half way into profiles G07C and G01D. Connectors S37 rest on top of profile G17C. Push side in until connectors click into place.



Secure connectors S37 to profile G17C with two S02 screws.




VIEWES FROM INSIDE.

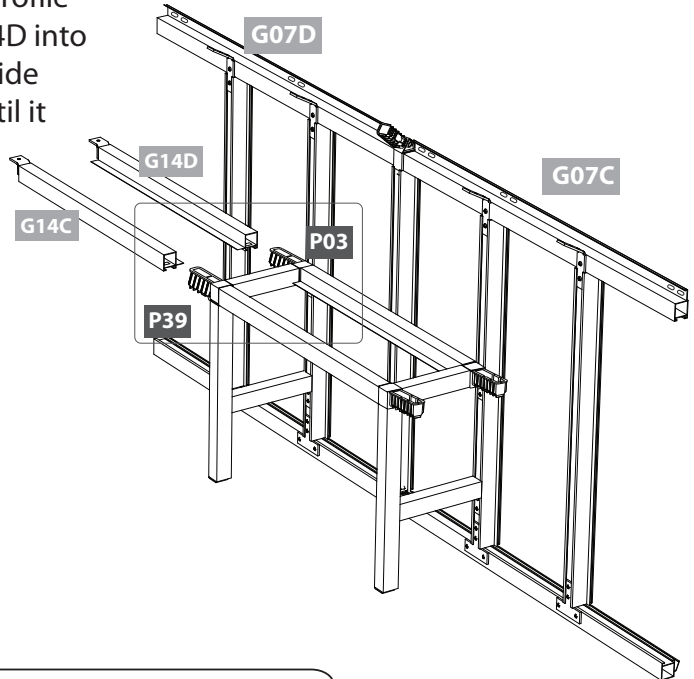
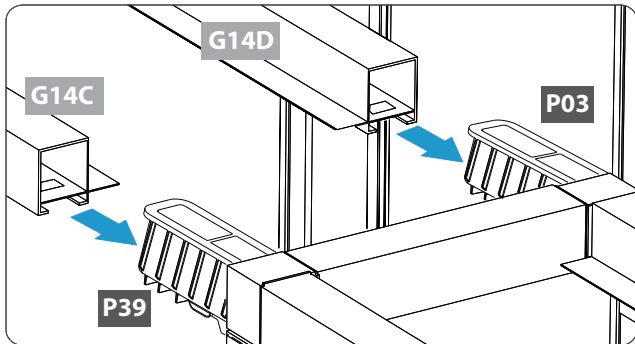
Connectors P04 and P09 **CLICK** into place.



There is only one way to properly fasten connectors into profiles. Line up parts first to ensure correct placement. Slide connectors until they **CLICK** securely into profile. Use WD40 or liquid soap if pieces do not easily slide together. Wear gloves.

Screw		QTY
	#S02	2

**6.2A** Set up the other side facing inside with profile G07D next to back. Slide shelf profile G14D into connector P03 until it clicks into place. Slide shelf profile G14C into connector P39 until it clicks into place.

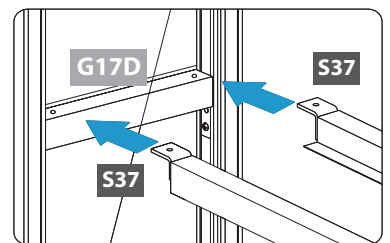
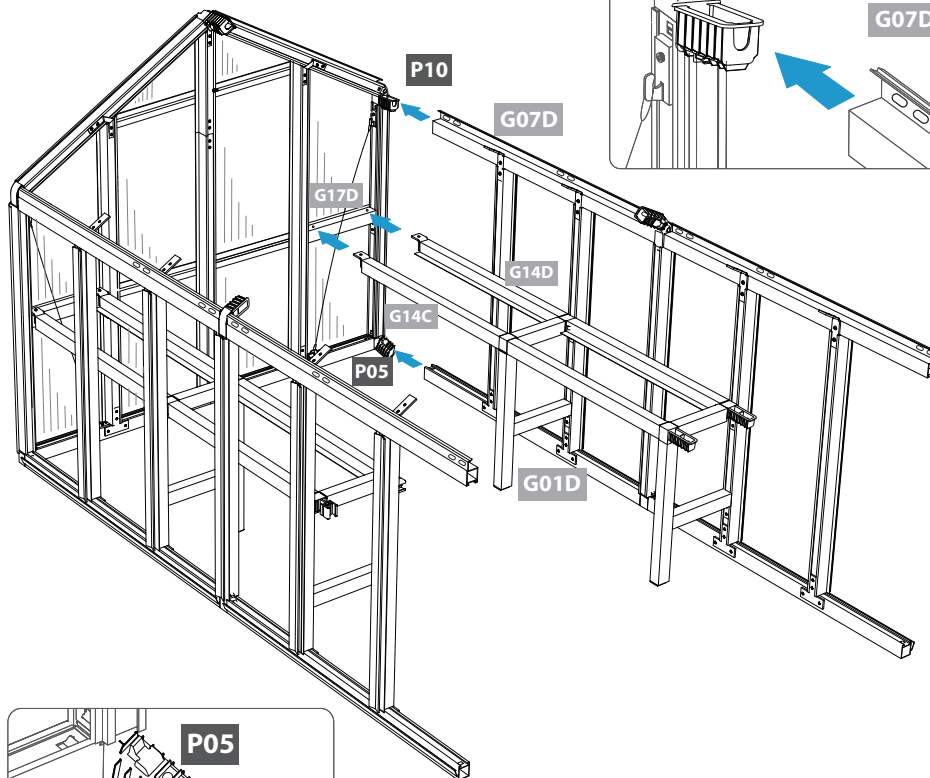
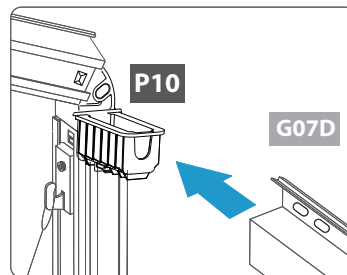


Connectors P03 and P39 **CLICK** into place.

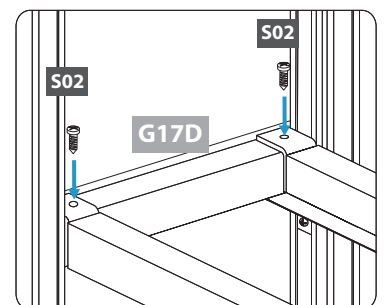
**!** There is only one way to properly fasten connectors into profiles. Line up parts first to ensure correct placement. Slide connectors until they **CLICK** securely into profile. Use WD40 or liquid soap if pieces do not easily slide together. Wear gloves.

**6.2B** Carefully slide right side into back, lining connectors up with profiles. Move side so connectors P10 and P05 are half way into profiles G07D and G01D. Connectors S37 rest on top of profile G17D. Push side in until connectors click into place.

Connector P10 **CLICKS** into place.

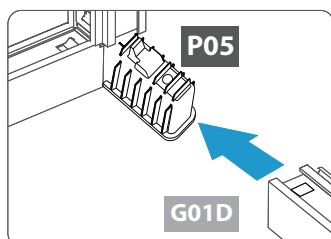



Secure connectors S37 to profile G17D with two S02 screws.



VIEWS FROM INSIDE.

Connector P05 **CLICKS** into place.

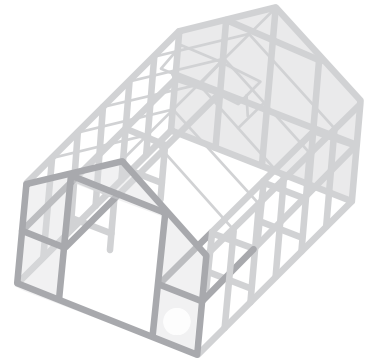


Screw		QTY
	#S02	2

# Connect Sides to Front

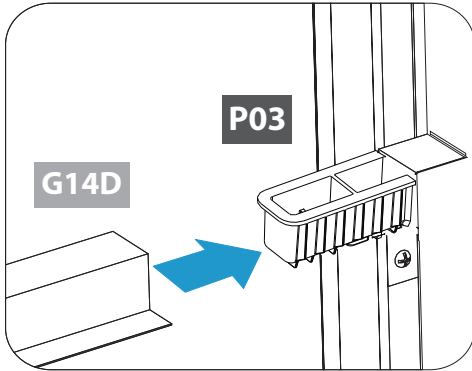


Keep the structure as is, with the back against the wall until you finish this step. This will make it easier to keep the angles square.

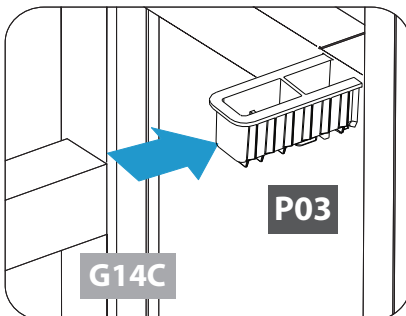
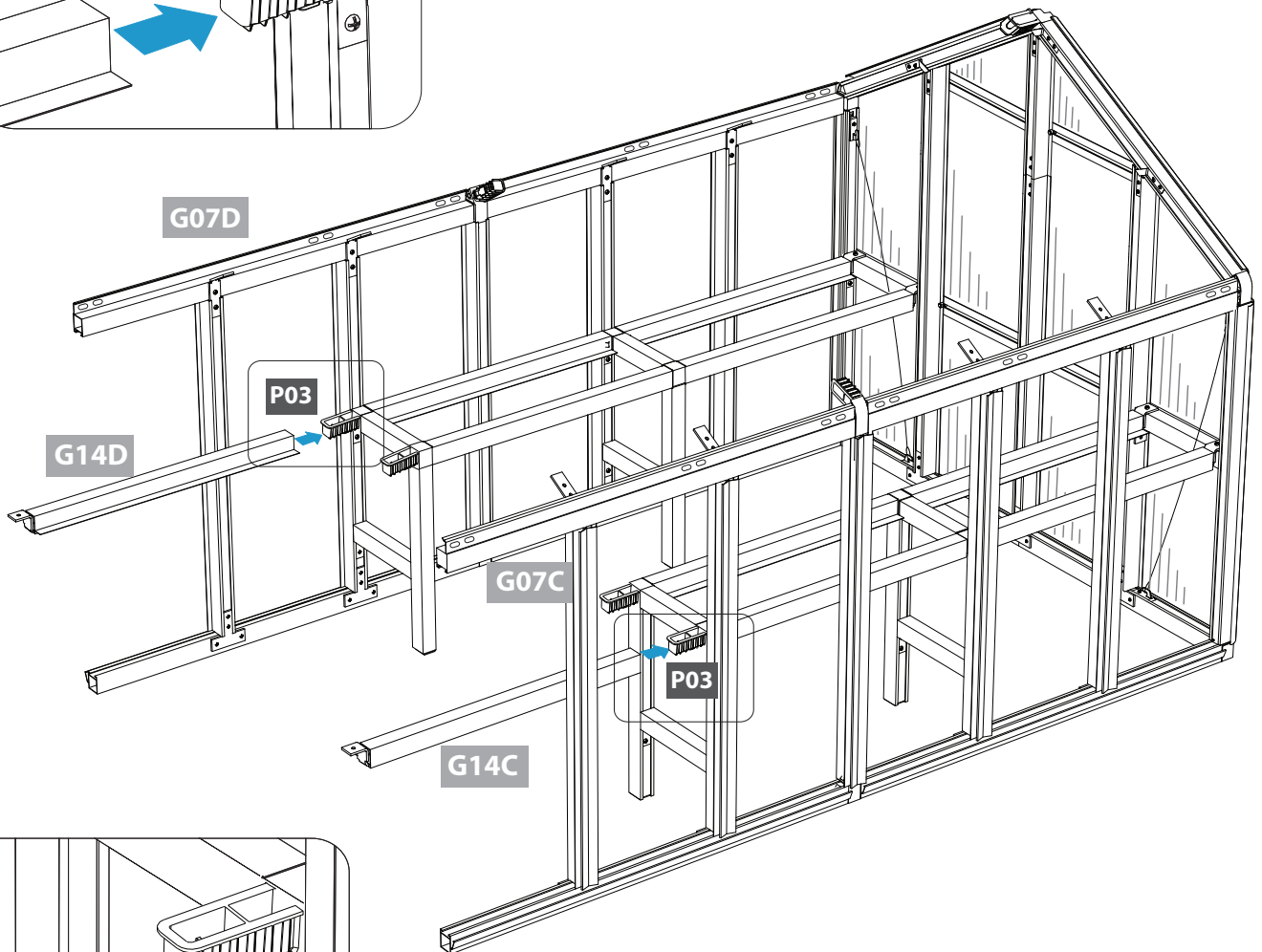


7.1

Slide shelf profile G14D into connector P03 on the left side until it clicks into place. Slide shelf profile G14C into connector P03 on the right side until it clicks into place.



Connectors P03 CLICK into place.



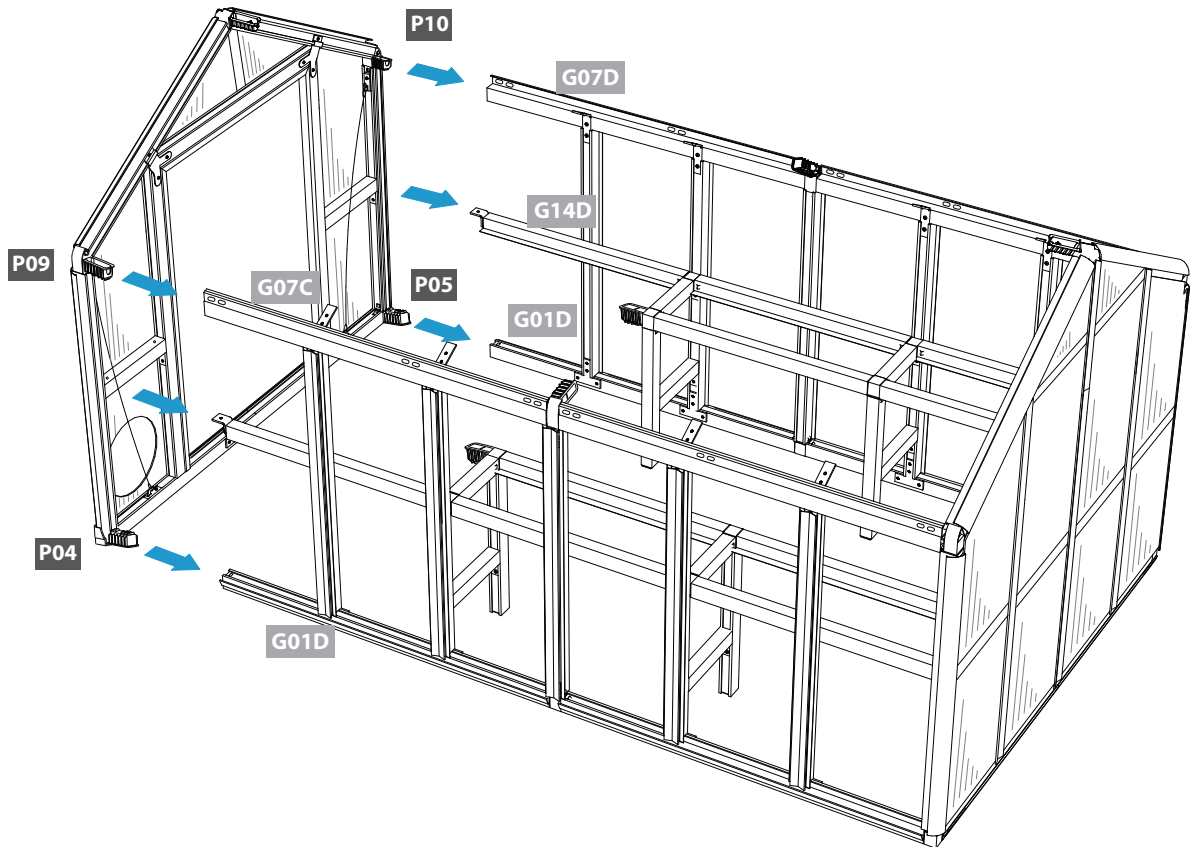
Connectors P03 CLICK into place.

VIEWS FROM INSIDE.

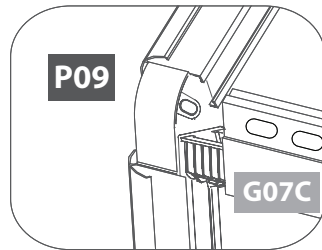


There is only one way to properly fasten connectors into profiles. Line up parts first to ensure correct placement. Slide connectors until they CLICK securely into profile. Use WD40 or liquid soap if pieces do not easily slide together. Wear gloves.

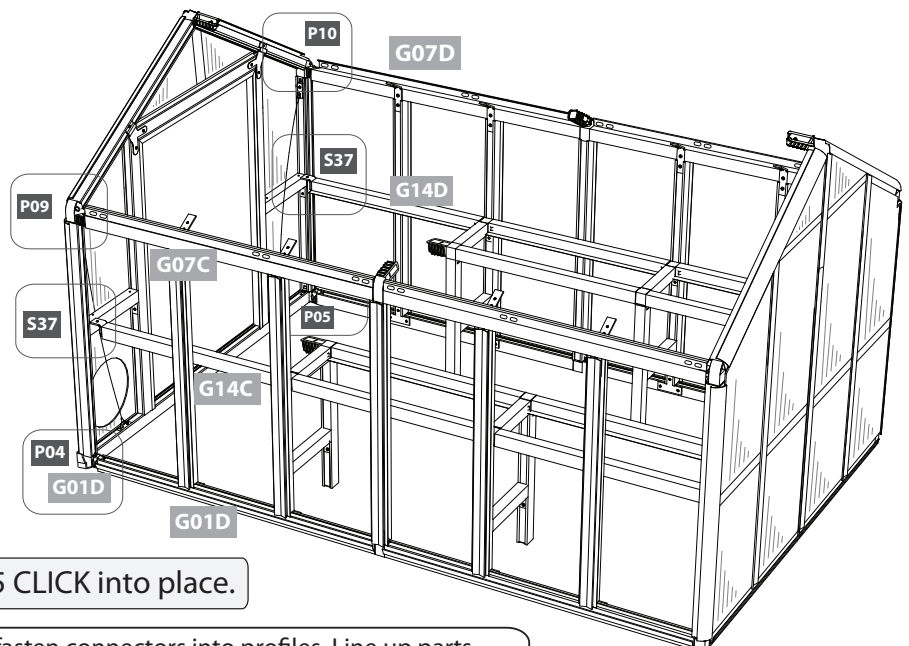
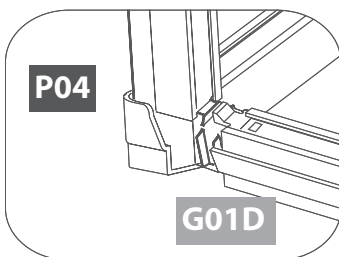
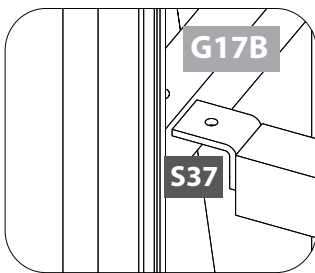
**7.2A** Lift front from inside and rest it next to sides. Line up connector P10 with profile G07D, connector P09 with profile G07C and connectors P04 and P05 with profiles G01D.



**7.2B** Carefully pull the front until all connectors are half way inside each profile. Make sure connector S37 attached to shelf profiles rest on top of profile G17B. Push front into sides until connectors click into place.



Connectors P09 and P10 **CLICK** into place.

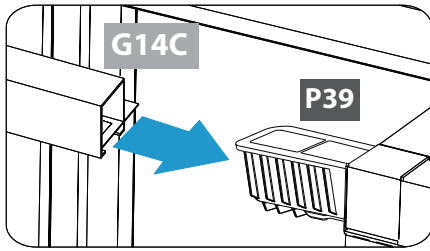


Connectors P04 and P05 **CLICK** into place.

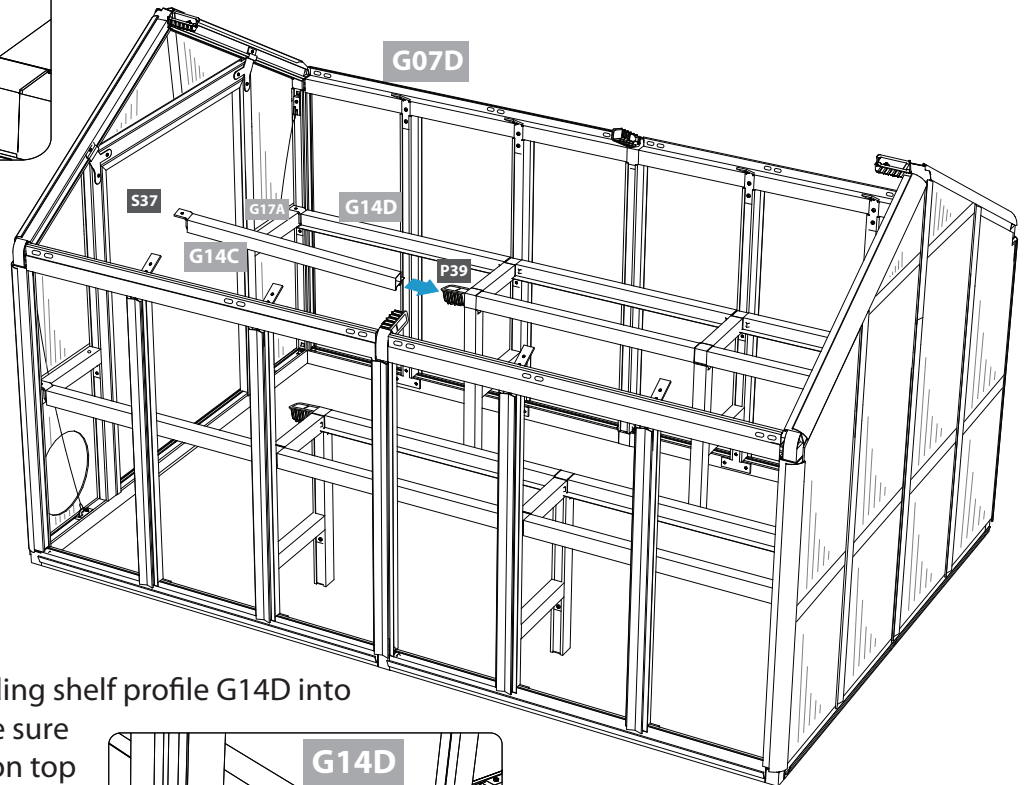


There is only one way to properly fasten connectors into profiles. Line up parts first to ensure correct placement. Slide connectors until they **CLICK** securely into profile. Use WD40 or liquid soap if pieces do not easily slide together. Wear gloves.

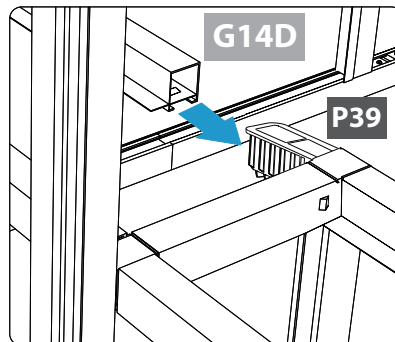
**7.3A** Slide shelf profile G14C at a slight angle so one end slides half way into connector P39 and the other side with connector S37 rests on top of profile G17A. Continue to slide until profile clicks into connector P39.



Connector P39 CLICKS into place.



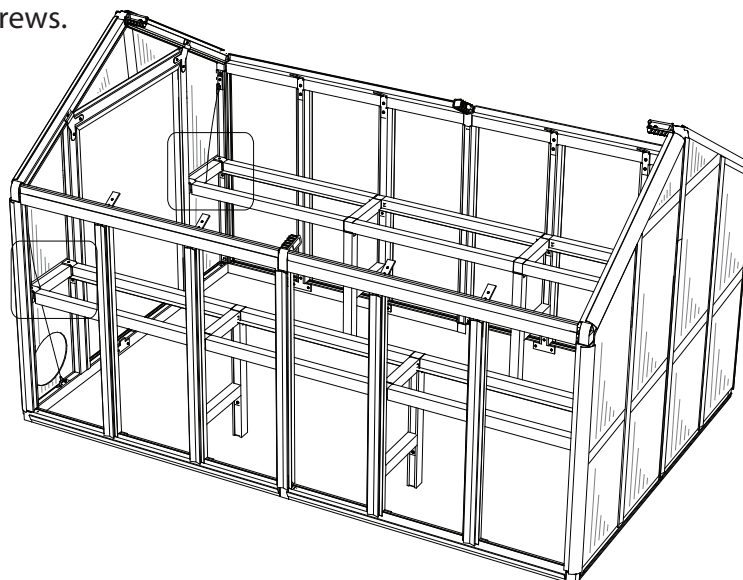
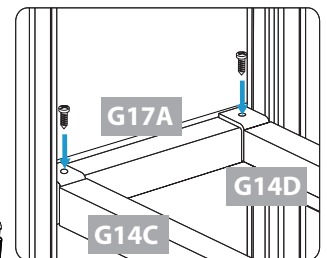
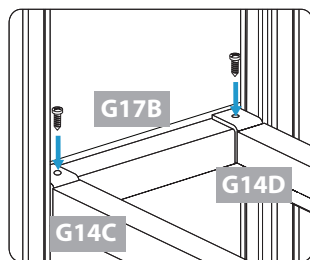
**7.3B** Repeat step 7.3A, sliding shelf profile G14D into P39 connector. Make sure connector S37 rests on top of profile G17B.




Connector P39 CLICKS into place.

**!** There is only one way to properly fasten connectors into profiles. Line up parts first to ensure correct placement. Slide connectors until they CLICK securely into profile. Use WD40 or liquid soap if pieces do not easily slide together. Wear gloves.

**7.3C** Secure S37 connectors to profiles G17A and G17B with four S02 screws.

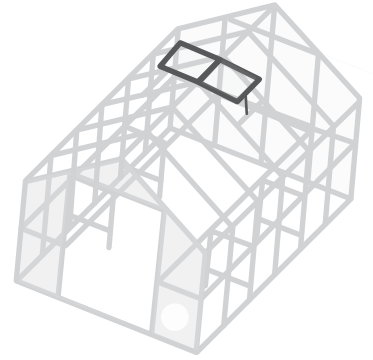


VIEWS FROM INSIDE.

Screw		QTY
	#S02	4



# Prepare Roof Vents



Place all the parts for both roof vents and handles on a level surface. Make sure the pieces are in the correct positions before assembling. Carefully follow the order of assembly to ensure an easy installation. Wear proper safety gear including work shoes, gloves and goggles.

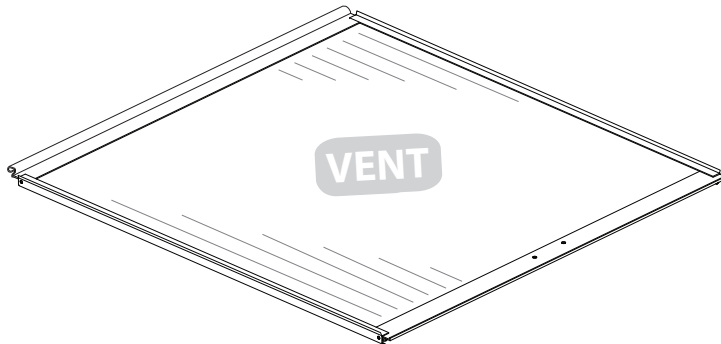


The roof vents are partially assembled at the factory. Remove plastic film on both sides of panels before installing. Finish assembly with the outside facing the ground. ALL VIEWS ARE SHOWN FROM INSIDE.

**IMPORTANT:** This greenhouse is equipped with one MANUAL vent handle (S25 installed in step 8.3) and one AUTOMATIC vent handle (auto vent opener installed in step 9.13). The auto vent opener is packed separately.

## 8.1A

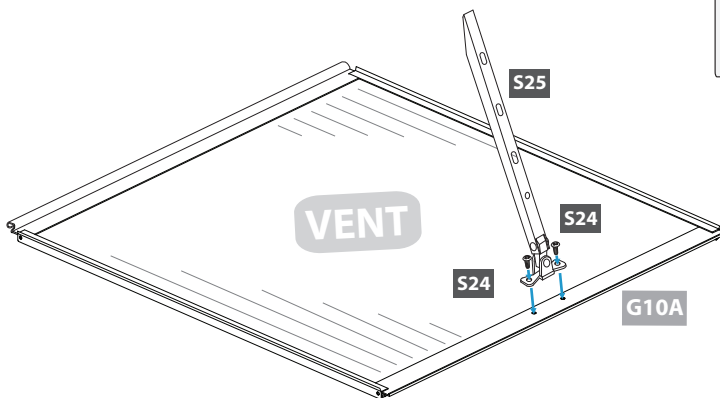
Remove protective plastic from both sides of panels on each VENT. Place side to face the sun facing down.



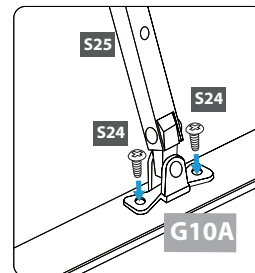
Remove protective plastic from EACH side of clear panels before installing. Dispose of plastic properly. Install with outward curved side FACING DOWN.

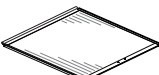
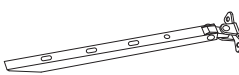

## 8.1B

Attach handle S25 to profile G10A with two S24 screws. NOTE: You will install the handle to the second roof vent in step 9.13.



**IMPORTANT:** Hollow side of handle S25 faces down when attached.

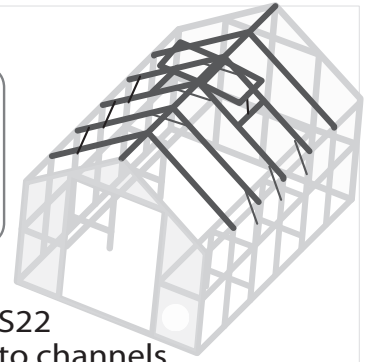


VENT	QTY	Handle	QTY	Screw	QTY
	2		#S25 1		#S24 2

# Connect Gables and Roof Vents



Place all the parts for the gables on a level surface.  
 Make sure the pieces are in the correct positions before assembling.  
 Please carefully follow the order of assembly to ensure an easy installation.  
 Wear proper safety gear including shoes, gloves and goggles.



**9.1A** Line up gable profiles with four S22 connectors as shown. Slide S22 connectors into channels of two sets of profiles G03M. Slide S22 connector into channels of profiles G03U. Slide S22 connector into channels of profiles G03R and G03S.

**9.1B** Secure each set with four S02 screws.

**IMPORTANT:** U-shaped cutout is not at midpoint of profiles G03R and G03S. Attach shorter side (26.5") to connector S22.

**NOTE:** One edge of profiles are shaped. Stickers with arrows are placed on that edge and point DOWN when profiles are installed. These stickers are NOT next to connector S22.

Profile	QTY	Profile	QTY	Connector	QTY
#G03M	4	#G03S	1	#S02	16
#G03R	1	#G03U	2	#S22	4

**9.2A** Slide connector P21 into profiles G03Q and G03N until it clicks securely into place.

**IMPORTANT:** U-shaped cutout is not at midpoint of profiles G03N and G03Q. Attach shorter side (26.5") to connector P21. Make sure connector P21 is positioned correctly before connecting.  
**NOTE:** Stickers with arrows are NOT next to connector P21.

**9.2B** Line up holes on bracing bar S23 with holes in profiles G03Q and G03N.

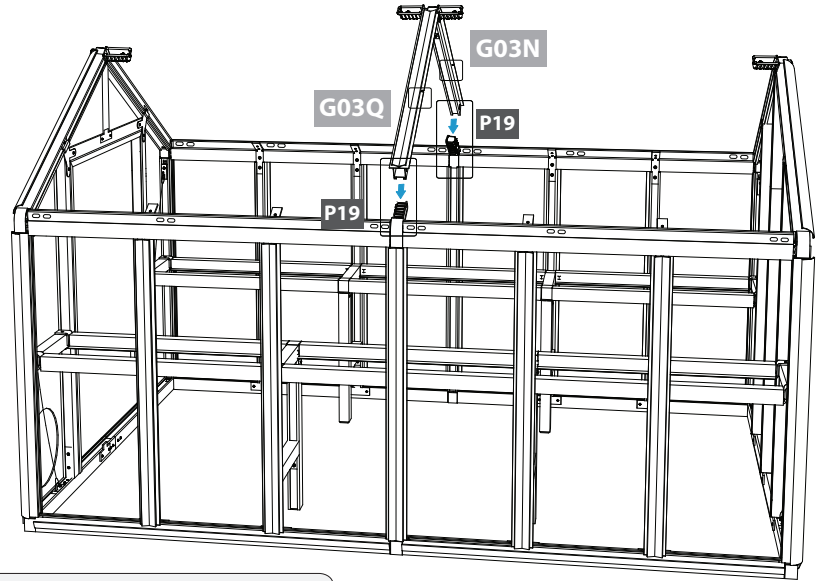
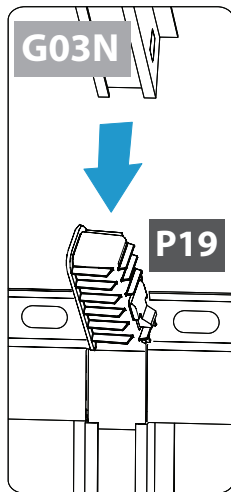
**9.2C** Secure brace to profiles with two S02 screws.

**Connectors P21 CLICKS into place.**

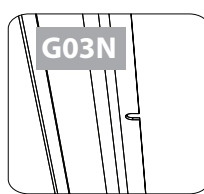
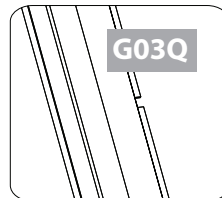
Profile	QTY	Connector	QTY	Screw	QTY	Brace	QTY
#G03N	1	#P21	1	#S02	2	#S23	1
#G03Q	1						

**9.3** From the inside of the greenhouse, use two people to carefully lower center gable onto frame. Line up and slide profiles G03N and G03Q into connectors P19 until they click securely into place.

Connectors P19 CLICK into place.



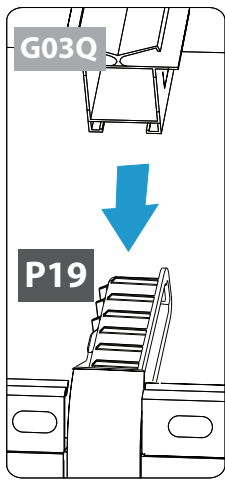
**IMPORTANT:** U-shaped cutouts on profiles G03N and G03Q face the BACK.



**NOTE:** One edge of profiles G03N and G03Q are shaped. Stickers with arrows are placed on that edge and point DOWN when profiles are installed.

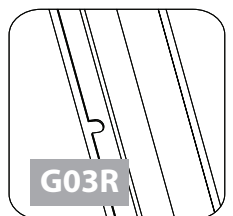
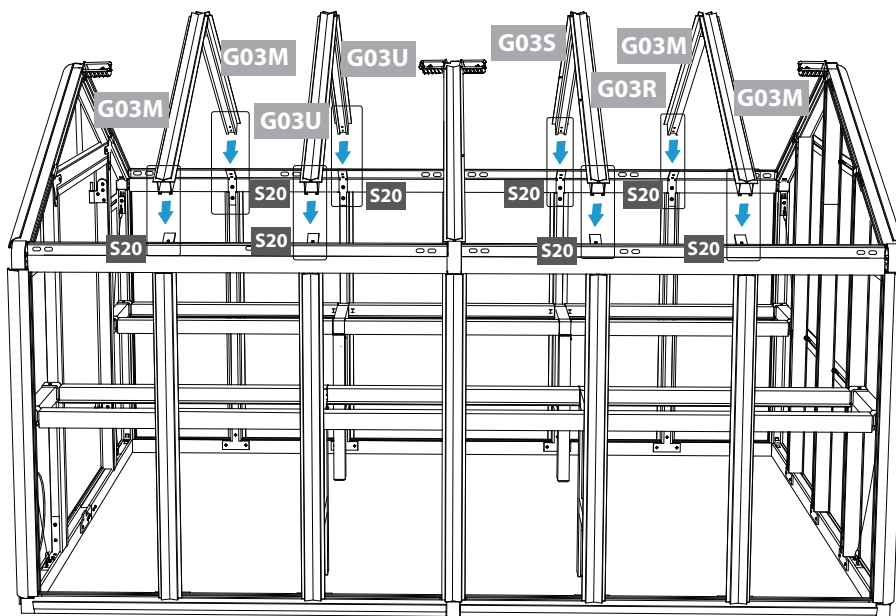
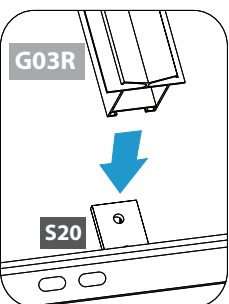
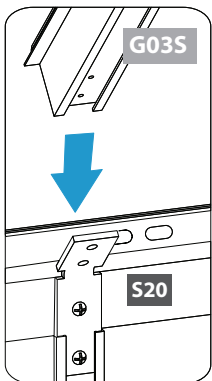


There is only one way to properly fasten connectors into profiles. Line up parts first to ensure correct placement. Slide connectors until they CLICK securely into profile. Use WD40 or liquid soap if pieces do not easily slide together. Wear gloves.



**9.4** From the inside of the greenhouse, use two people to carefully lower front and back gables onto frame. Line up and slide connectors S20 into channels of profiles G03M, G03R, G03S and G03U.

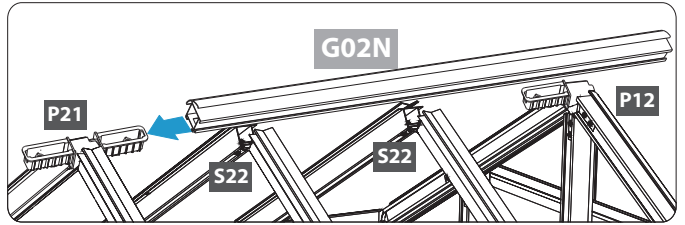
**IMPORTANT:** U-shaped cutouts on profiles G03R and G03S face the FRONT.



**NOTE:** One edge of profiles G03M, G03R, G03S and G03U are shaped. Stickers with arrows are placed on that edge and point DOWN when profiles are installed.

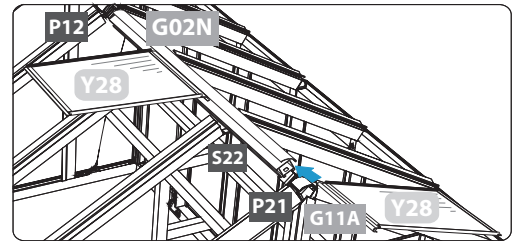
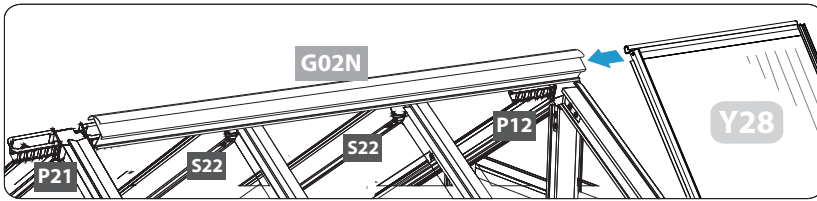
**9.5A** Using a small step ladder inside the greenhouse, carefully slide profile G02N half way into center connector P21 at a slight angle.

**IMPORTANT:** Have the roof vents nearby. You will install the roof vent **BEFORE** connecting both sides of G02N. It is best to use two people for this step.

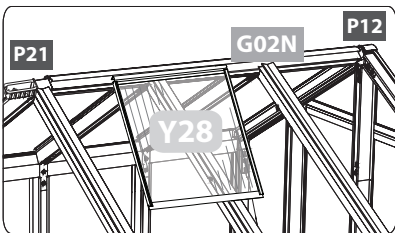


**IMPORTANT:** Make sure profile G02N is in correct position before installing. Arrange profile G02N so rectangular holes in channels face the **LEFT** when looking at the front of the greenhouse from the outside.

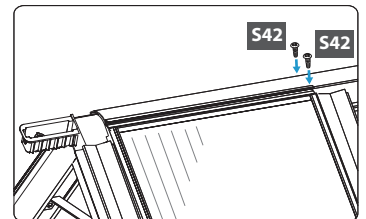
**9.5B** Attach roof vent with handle to profile G02N. With handle facing inside of greenhouse, slide top of first roof vent into V-channel of profile G02N. Slide roof vent to center of profile G02N. Attach second roof vent without handle to other side of profile G02N. Slide top of second roof vent into V-channel of profile G02N. Note: Roof vents are prepared in step 8.



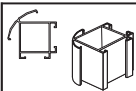
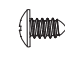
**9.5C** Gently push center gable slightly towards the front to slide other end of profile G02N into back connector P12. Make sure both connectors snap securely into place. Note: G02N profile rests on top of connector S22.



**9.5D** Slide roof vent end of profile G02N next to center connector P21. Screw S42 into hole in top of each side G02N to hold roof vents in place.

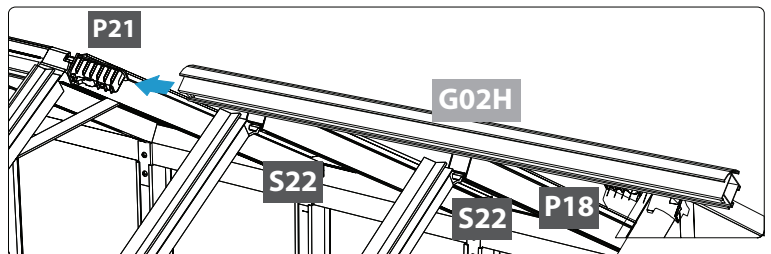
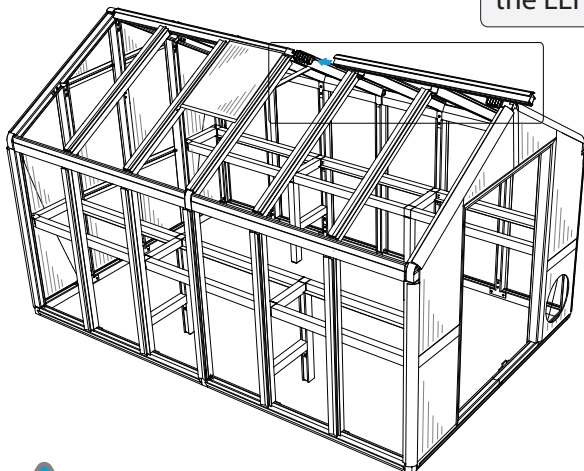


Connectors P12 and P21 **CLICK** into place.

Profile	QTY	Screw	QTY
 #G02N	1	 #S42	2

**9.6** Slide profile G02H at a slight angle into center gable connector P21. Gently push front side slightly forward to slide other end of profile into connector P18. Make sure both connectors click securely into place. Note profile G02H rests on top of S22 connectors.

**IMPORTANT:** Arrange profile G02H so rectangular holes in channels face the **LEFT** when looking at the front of the greenhouse from the outside.

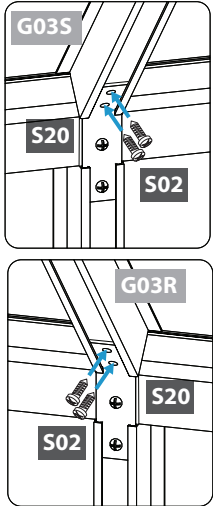


Connectors P18 and P21 **CLICK** into place.

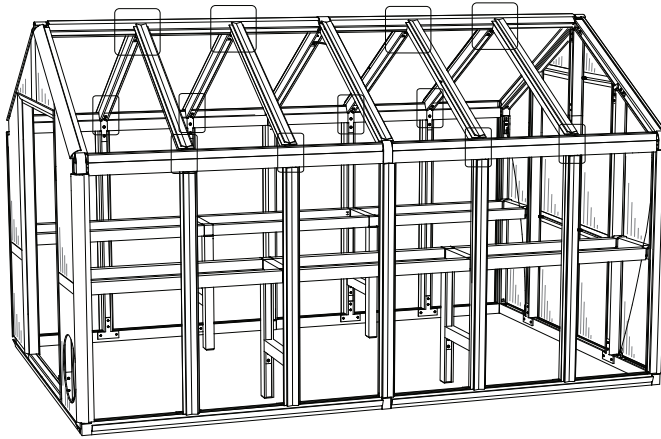
**!** There is only one way to properly fasten connectors into profiles. Line up parts first to ensure correct placement. Slide connectors until they **CLICK** securely into profile. Use WD40 or liquid soap if pieces do not easily slide together. Wear gloves.

Profile	QTY
 #G02H	1

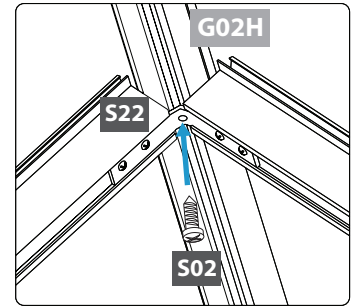
**9.7A** From inside of greenhouse secure S20 connectors to gable profiles G03M, G03N, G03Q, G03R, G03S and G03U with two S02 screws.



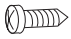
VIEWES FROM INSIDE.



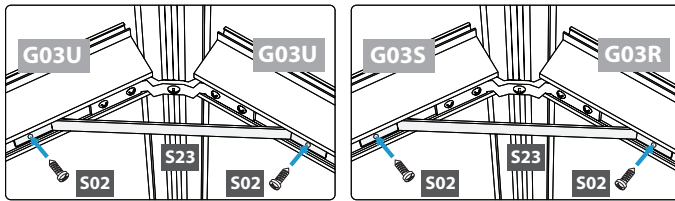
**9.7B** Secure each S22 connector to profiles G02H with one S02 screw.



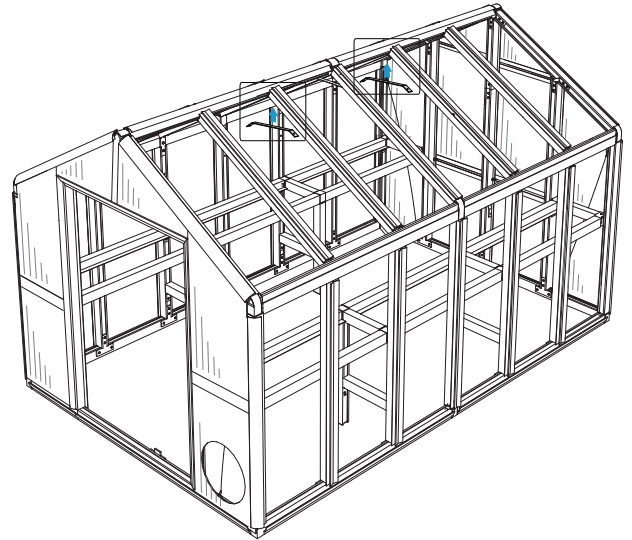
VIEWES FROM INSIDE.

Screw	QTY
 #S02	20

**9.8A** From inside of greenhouse, line up bracing bar S23 with holes in gable profiles G03U, G03R and G03S. Secure one S02 screw partially into each end. Then go back and tighten both screws.

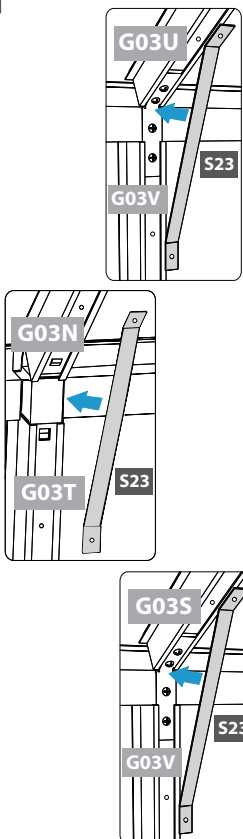


VIEWES FROM INSIDE.

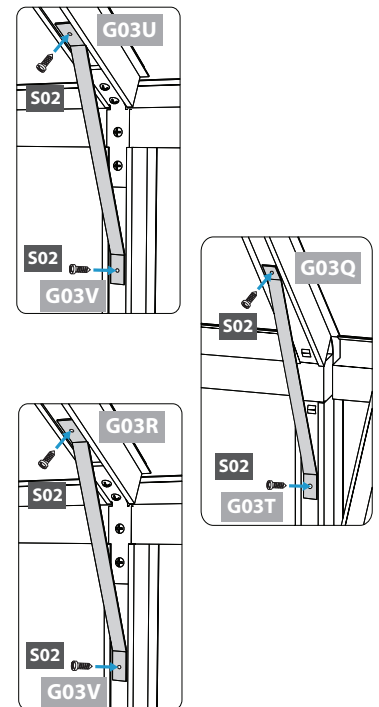
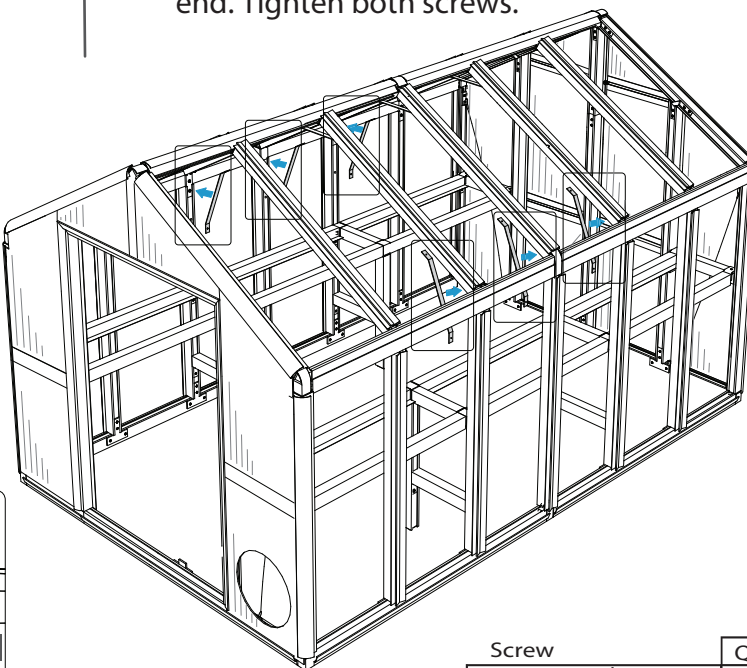



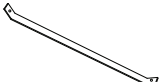
**9.8B** From inside of greenhouse, place S23 bracing bars onto the center three side and gable profiles. Line up holes in profiles G03V and G03U, G03T and G03Q, G03T and G03N, G03V and G03R and G03V and G03S with holes in S23 bracing bar.

**9.8C** Secure one S02 screw partially into each end. Tighten both screws.

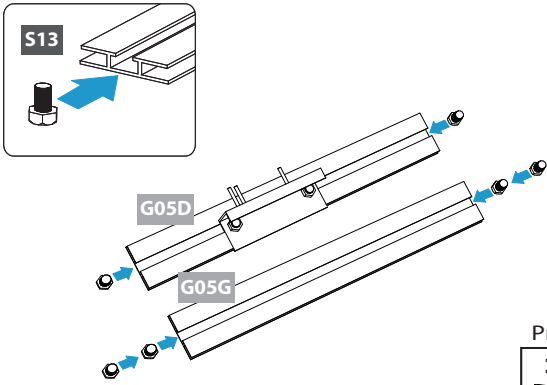


VIEWES FROM INSIDE.

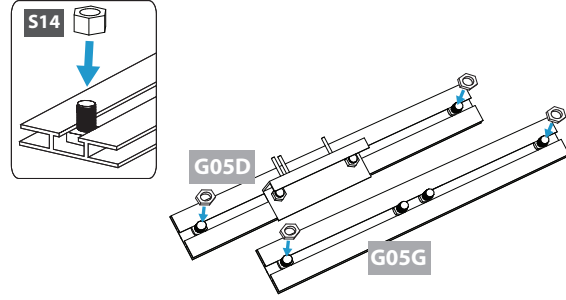


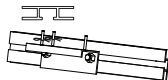
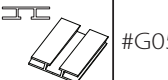


Screw	QTY	Brace	QTY
 #S02	16	 #S23	8

**9.9A** Slide two S13 hex bolts into channel of profile G05D and four S13 hex bolts into channel of profile G05G.








**9.9B** Screw two S14 hex nuts onto bolts on ends of each profile. Do not completely tighten.



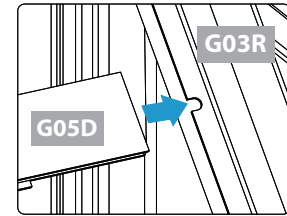
Profile	QTY	Profile	QTY	Bolt / Nut	QTY
	#G05D 1		#G05G 1		#S13 6
					#S14 4

**9.10** Unpack contents of Auto Vent Opener. Follow instruction manual included with Auto Vent Opener to assemble.

NOTE: The Auto Vent Opener will be installed to the vent in step 9.13.

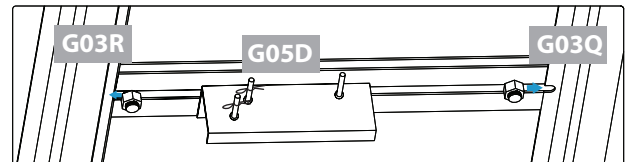
Handle	QTY	Cylinder	QTY	Hair Pin Clip	QTY	Rivet/Washer	QTY
	1		1		1		2
							2

**9.11A** With pins facing up on the inside of the greenhouse, slide end of profile G05D into V-channel of profile G03R. Angle it slightly to fit the other end into V-channel of profile G03Q.

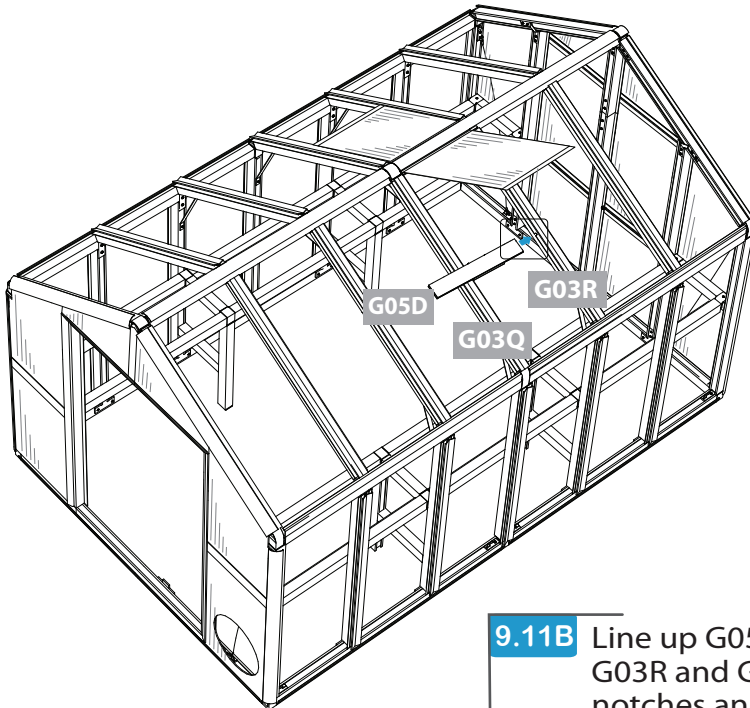


VIEW FROM OUTSIDE.

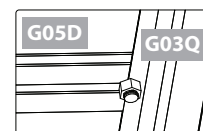
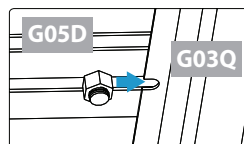
IMPORTANT: Make sure the pins face UP on INSIDE of the greenhouse when profile G05D is installed.



NOTE: G05D has two hairpin clips used to secure the handle of the vent to prevent it from moving in high winds. See Step 9.11C for more details.

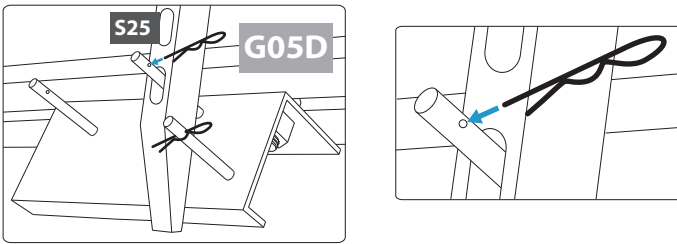


**9.11B** Line up G05D channel with U-shaped cutouts in profiles G03R and G03Q. Slide hex nut and bolts into U-shaped notches and tighten securely.

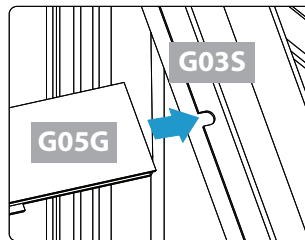
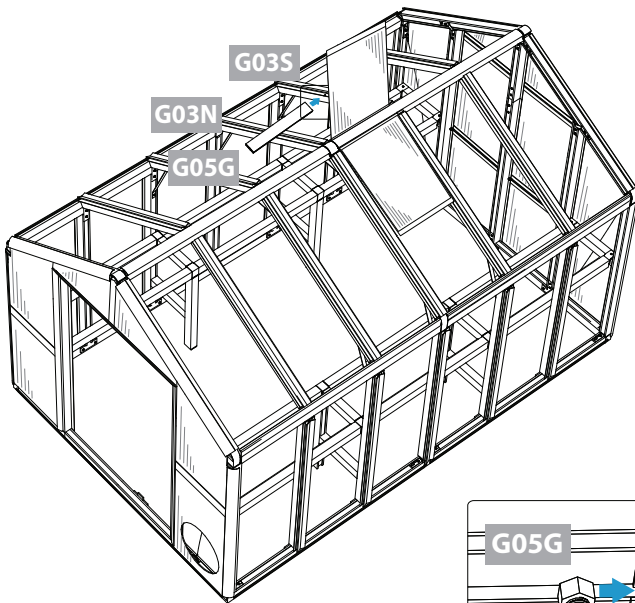


VIEWS FROM INSIDE.

**9.11C** Use the hairpin clips connected to G05D to secure the handle and prevent the vent from opening and closing in high winds.

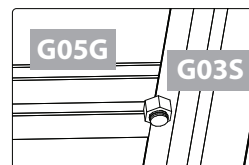
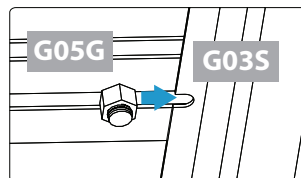
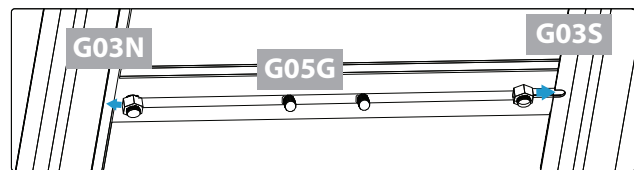


**9.12A** With bolts on the inside of the greenhouse, slide one end of profile G05G into V-channel of profile G03N. Angle it slightly to fit the other end into V-channel of profile G03S.



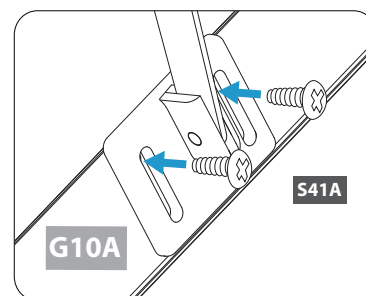
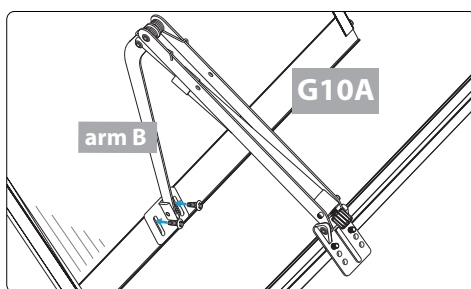
VIEW FROM OUTSIDE.

**9.12B** Line up G05G channel with U-shaped cutouts in sides of profiles G03N and G03S. Slide hex nut and bolts into U-shaped notches and tighten securely.

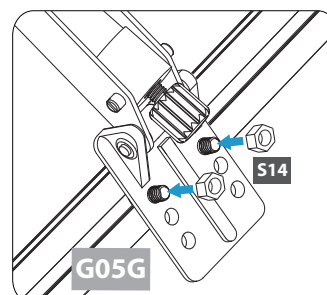
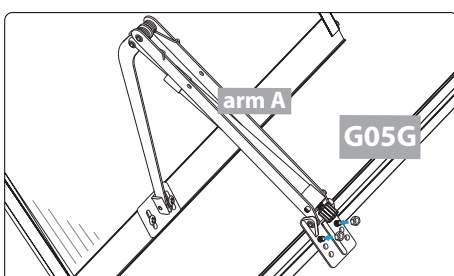


VIEWS FROM INSIDE.



**9.13A** From the inside of the greenhouse open arms of auto vent slightly. Line up window bracket on arm B to holes in vent profile G10A and attach with two S41A screws.



**9.13B** Slide bolts in channel of profile G05G until they fit into holes on end of arm A. Secure with two S14 hex nuts.



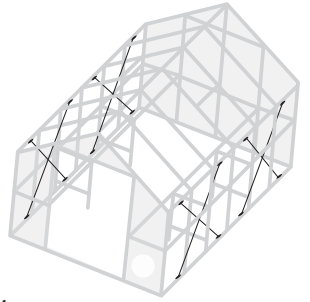
NOTE: ALL VIEWS ARE FROM INSIDE.

Nut / Screw		QTY
	#S14	2
	#S41A	2

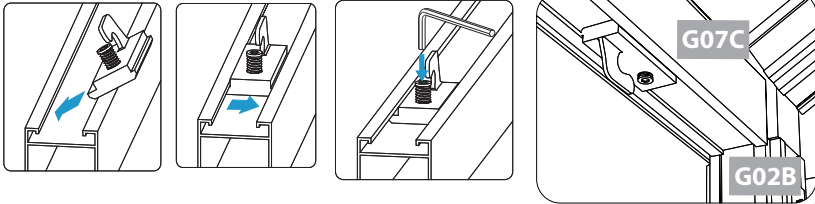
# Brace Sides



Place all the parts for bracing the sides on a level surface. Make sure the pieces are in the correct positions before assembling. Please carefully follow the order of assembly to ensure an easy installation. Wear proper safety gear including shoes, gloves and goggles.

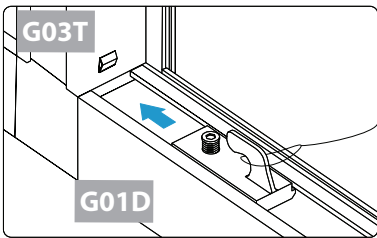


**10.1A** From the inside of the greenhouse, insert long side of cable connector S06 into profile channel G07C with hook facing the front. Slide connector to other side of channel. Use hex key to securely tighten and hold in place.

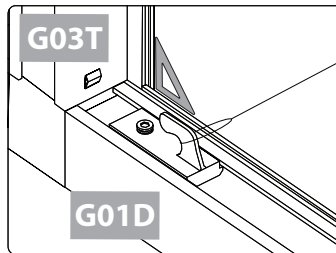


**IMPORTANT:** Make sure all corners are squared at 90 degrees.

**10.1B** Attach one side of long cable S07 to hook and lace behind profile G14C. Attach other side of cable to a second S06 cable connector. With hook facing the back, insert connector into profile channel G01D.



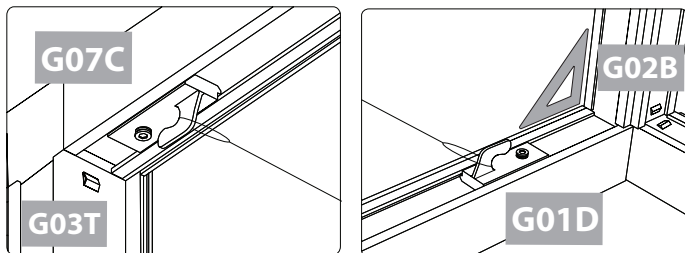
**10.1C** Push towards center until profile corners are square and cable is tight. Use hex key to securely tighten and hold in place.



**VIEWES FROM INSIDE.**

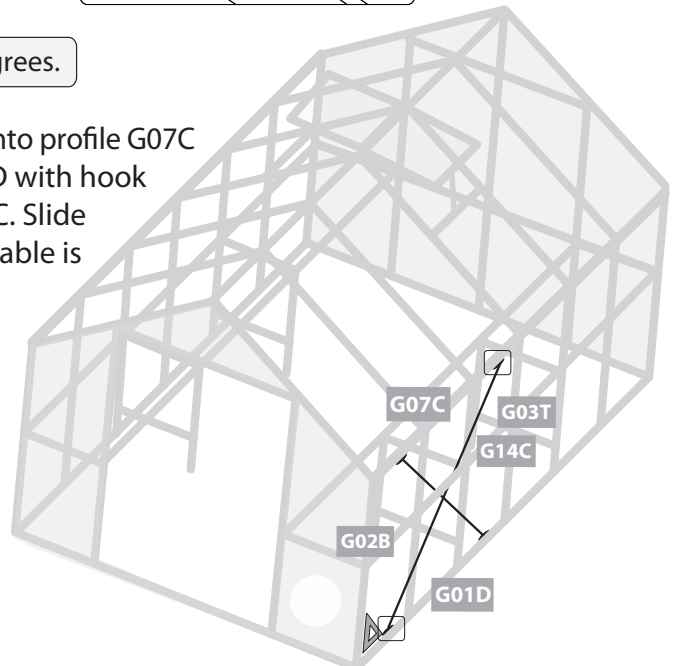
**IMPORTANT:** Make sure all corners are squared at 90 degrees.

**10.2** Repeat step 10.1 inserting cable connectors S06 into profile G07C with hook facing the back and into profile G01D with hook facing the front. Cable rests behind profile G14C. Slide connector until profile corners are square and cable is tight. Use hex key to securely tighten second connector and hold in place.



**VIEWES FROM INSIDE.**

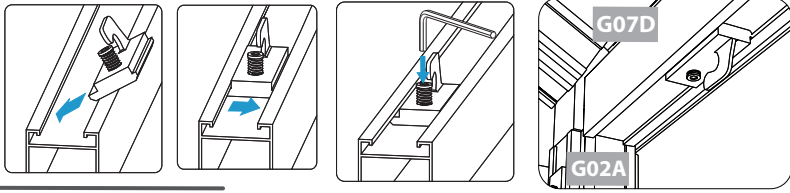
**IMPORTANT:** Make sure all corners are squared at 90 degrees.



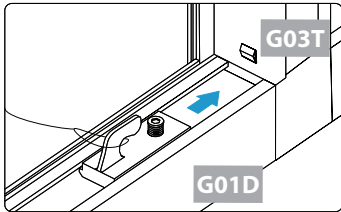
Hex Key	QTY	Cable Connector	QTY	Cable	QTY		
	1		#S06	4		#S07	2



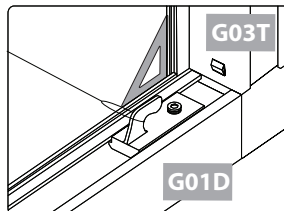
**10.3A** From the inside of the greenhouse, insert long side of cable connector S06 into channel of profile G07D with hook facing the back. Slide connector to other side of channel. Use hex key to securely tighten and hold in place.



**10.3B** Attach one side of long cable S07 to hook and lace behind profile G14D. Attach other side of cable to a second S06 cable connector. With hook facing the front, insert connector into channel of profile G01D.



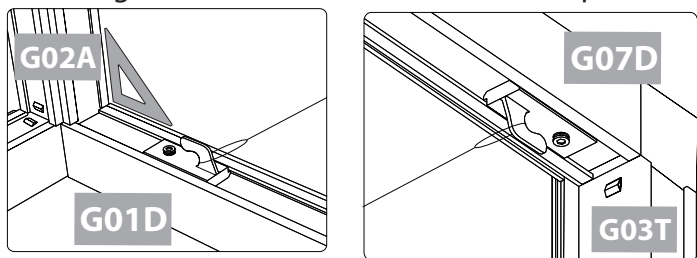
**10.3C** Push towards center until profile corners are square and cable is tight. Use hex key to securely tighten and hold in place.



IEWS FROM INSIDE.

**IMPORTANT:** Make sure all corners are squared at 90 degrees.

**10.4** Repeat step 10.3 inserting cable connectors S06 into profile G07D with hook facing the front and into profile G01D with hook facing the back. Cable rests behind profile G14D. Slide connector until profile corners are square and cable is tight. Use hex key to securely tighten second connector to hold in place.

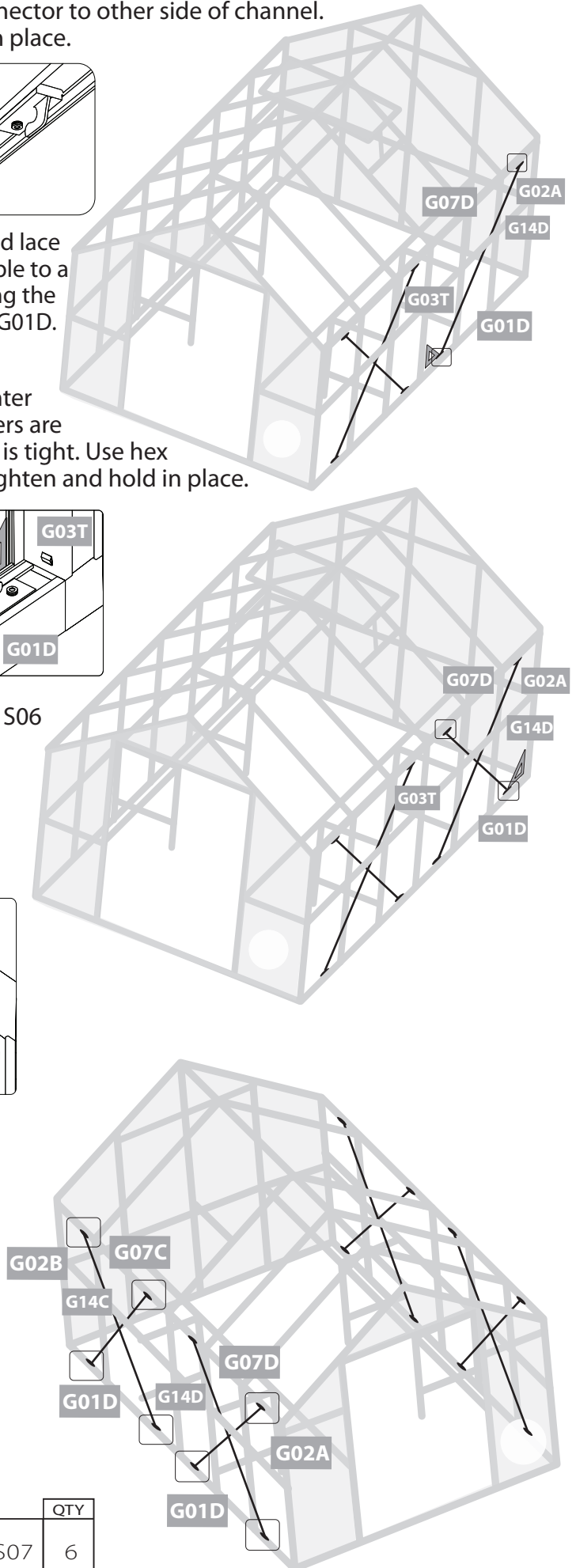


IEWS FROM INSIDE.

**IMPORTANT:** Make sure all corners are squared at 90 degrees.

**10.5** Repeat step 10.1 through 10.4 on the other side of the greenhouse.

**IMPORTANT:** Make sure all corners are squared at 90 degrees.

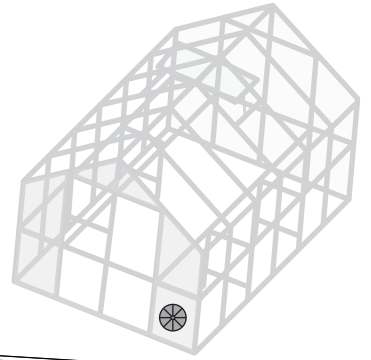


Hex Key	QTY	Cable Connector	QTY	Cable	QTY
	1		#S06 12		#S07 6

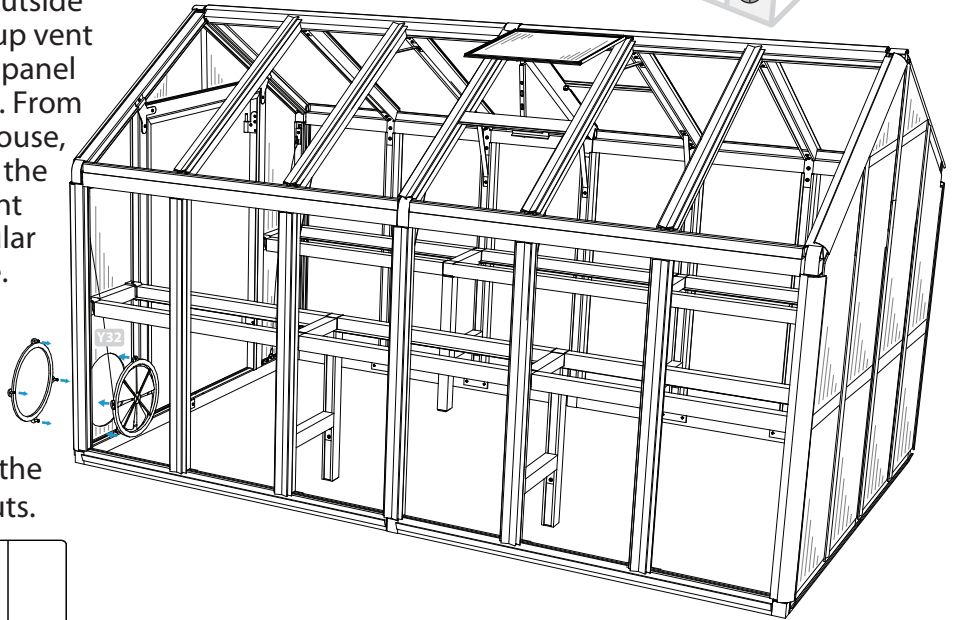
# Install Circular Vent



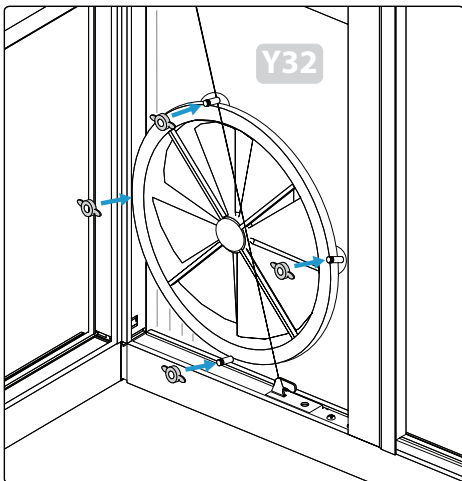
Place all the parts for circular vent on a level surface. Make sure the pieces are in the correct positions before assembling. Carefully follow the order of assembly to ensure an easy installation. Wear proper safety gear including work shoes, gloves and goggles.



**11.1A** Open box containing the parts for circular vent. From the outside of the greenhouse, line up vent frame pins with holes in panel Y32, and slide into place. From the inside of the greenhouse, slide circular vent under the cable. Line up pins in vent frame with holes in circular vent and slide into place.



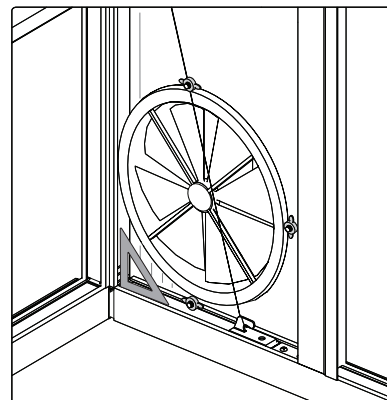
**11.1B** From the inside, secure the vent with four plastic nuts.



VIEW FROM INSIDE.




**IMPORTANT:** Circular vent rests under the bracing cable. See step 3.10 for detailed instructions on adjusting the cables.

**11.1C** Double check that the corners are squared at 90 degrees and adjust if necessary. See step 3.10 for detailed instructions.

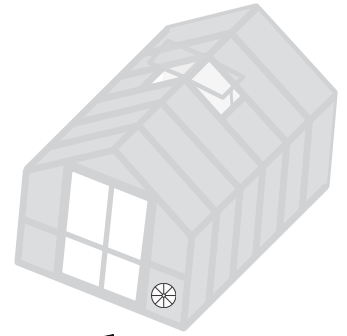


VIEW FROM INSIDE.

**IMPORTANT:** Make sure all corners are squared at 90 degrees.

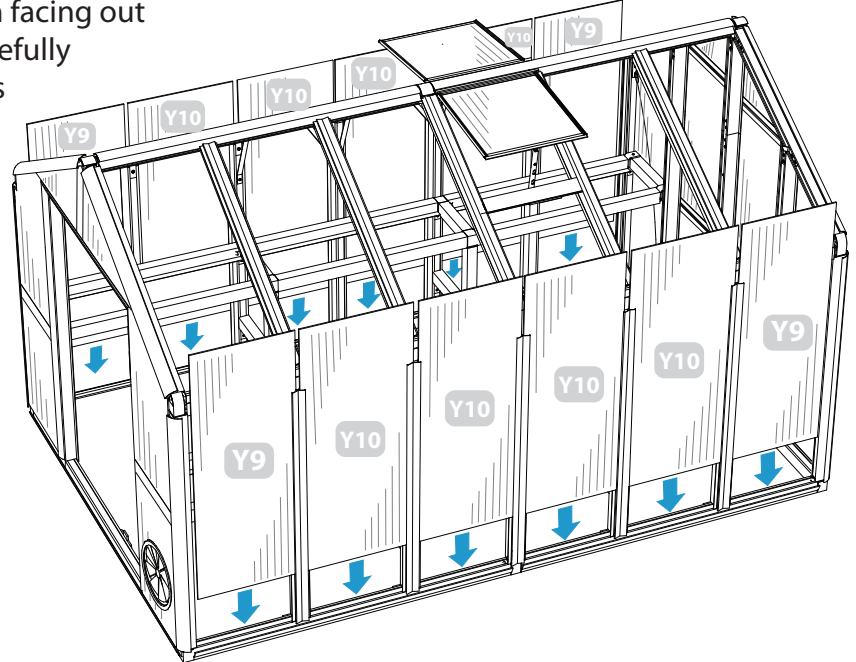
Vent Frame	QTY	Circular Vent	QTY	Plastic Nuts	QTY
	1		1		4

# Install Side and Roof Panels



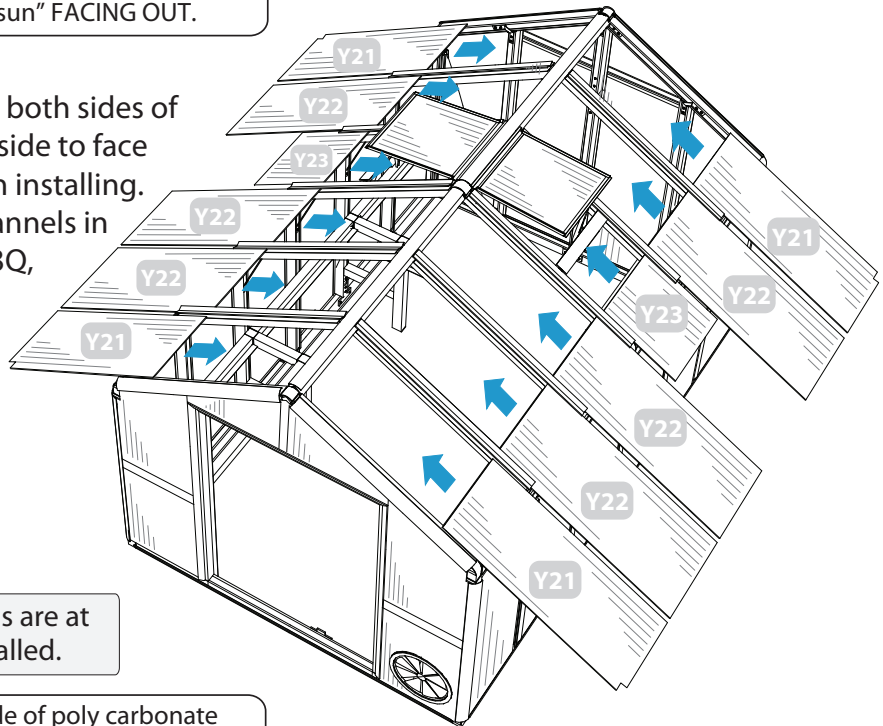
**!** Place all side and roof panels on a level surface. Make sure the pieces are in the correct positions before assembling. Carefully follow the order of assembly to ensure an easy installation. Wear proper safety gear including work shoes, gloves and goggles.

**12.1** Remove protective plastic from both sides of panels Y09 and Y10. Place side to face toward the sun facing out when installing. Slide panels carefully into V-channels in corner profiles G02A and G02B and side profiles G03B, G03T and G03V. Fit securely into V-channels. As you continue sliding the panels make sure panels fit into the V-channels in base profiles G01D.



**!** Remove protective plastic from EACH side of poly carbonate panels before installing. Dispose of plastic properly. Install with side labeled "Face this side towards the sun" FACING OUT.

**12.2** Remove protective plastic from both sides of panels Y21, Y22 and Y23. Place side to face toward the sun facing out when installing. Slide panels carefully into V-channels in gable profiles G03M, G03N, G03Q, G03R, G03S and G03U and into V-channels of front and back profiles G02I, G02J, G02K and G02L. As you continue sliding the panels make sure they fit into the V-channels in center roof profiles G02H and G02N.



**IMPORTANT:** Cut outs in Y21 panels are at bottom outside corners when installed.

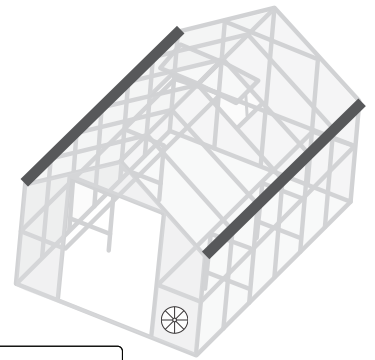
**!** Remove protective plastic from EACH side of poly carbonate panels before installing. Dispose of plastic properly. Install with side labeled "Face this side towards the sun" FACING OUT.

Panel	QTY	Panel	QTY	Panel	QTY	Panel	QTY	
	#Y09	4		#Y10	8		#Y21	4
							#Y22	6
							#Y23	2

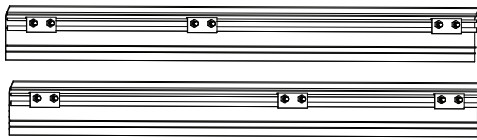
# Install Trim Plates



Place the trim plates on a level surface. Make sure the pieces are in the correct positions before assembling. Carefully follow the order of assembly to ensure an easy installation. Wear proper safety gear including work shoes, gloves and goggles.

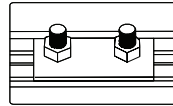


**13.1** Remove the six hex nuts from the hex bolts attached to each G09C and G09D trim plate BEFORE installing.

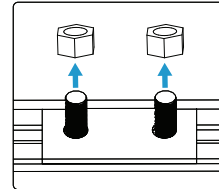


G09C

G09D

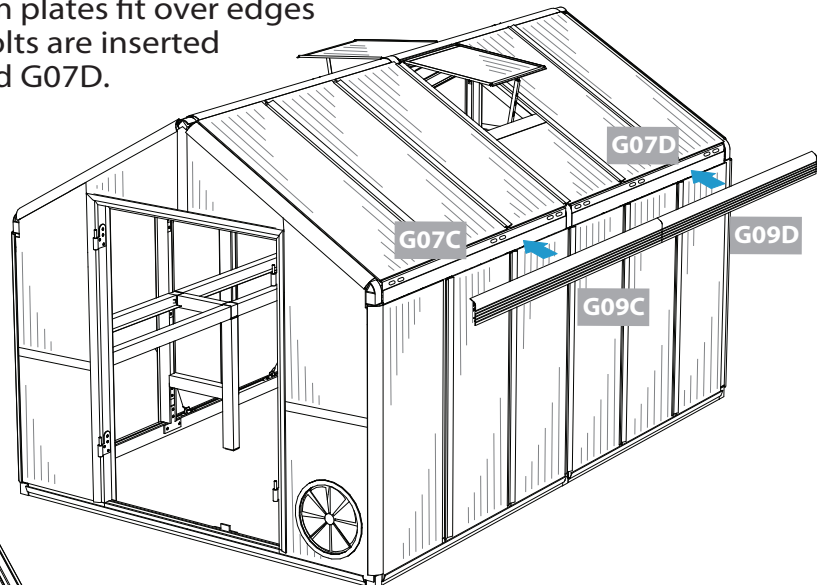


IEWS FROM INSIDE.

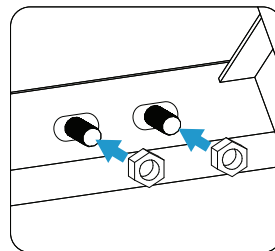
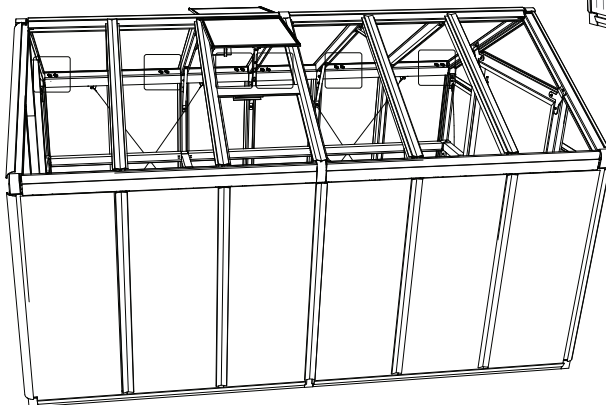


**13.2A** Place trim plates G09C and G09D onto profiles G07C and G07D on outside of greenhouse. Trim plates fit over edges of side and roof panels. Hex bolts are inserted into holes on profiles G07C and G07D.

NOTE: Trim plates cover edges of roof and side panels.



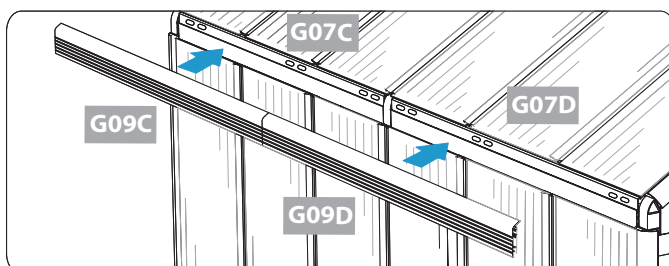
**13.2B** From inside of greenhouse, place hex nuts onto hex bolts in trim plates G09C and G09D and tighten securely.



IEWS FROM INSIDE.

IMPORTANT: The holes in profile G07C and G07D and the bolts in trim plates G09C and G09D are in different positions. Fit trim plate G09C into profile G07D. Fit trim plate G09D into profile G07C.

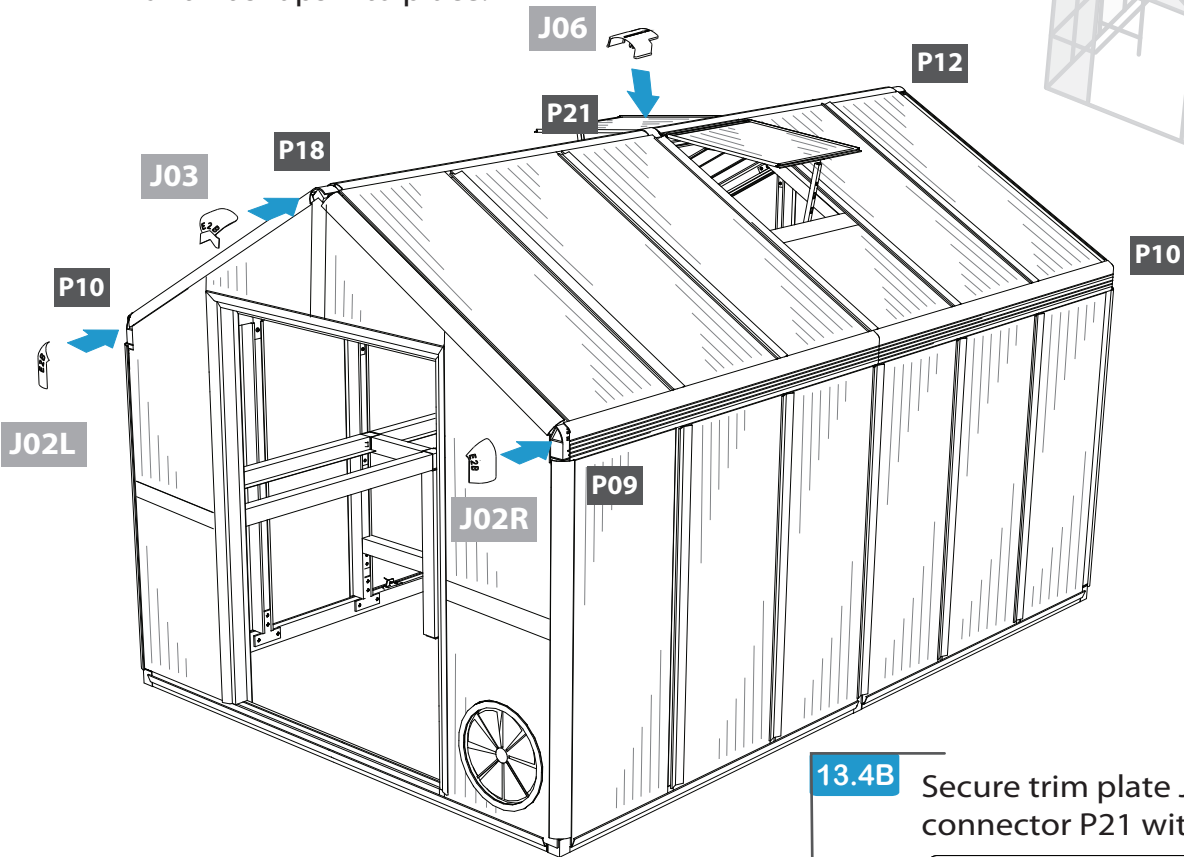
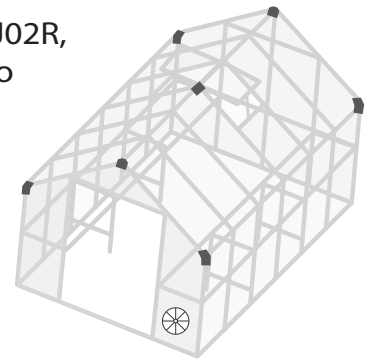
**13.3** Repeat Step 13.2A and 13.2B on other side of greenhouse. Note the positions of profiles G07C and G07D are reversed. Make sure to attach trim plate G09C to profile G07C in the front and trim plate G09D to profile G07D in the back.



Trim Plate	QTY
#G09C	2
#G09D	2

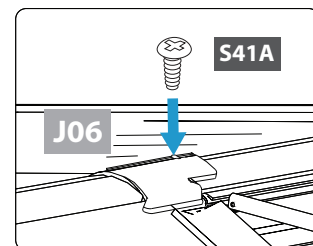
**13.4A**

In the front of the greenhouse, slide plastic trim plates J02L, J02R, and J03 into connectors P09, P10 and P18 until they snap into place. On top of the greenhouse, push trim plate J06 onto connector P21 and slide towards the back until it snaps into place.



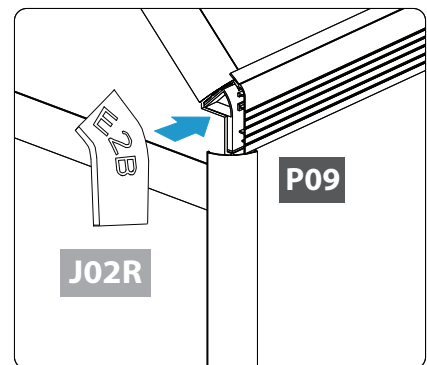
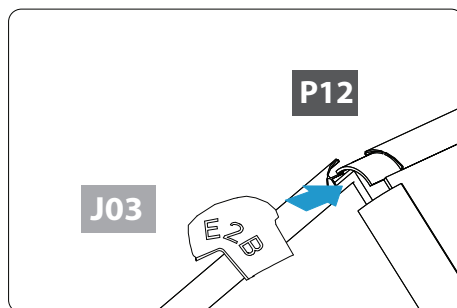
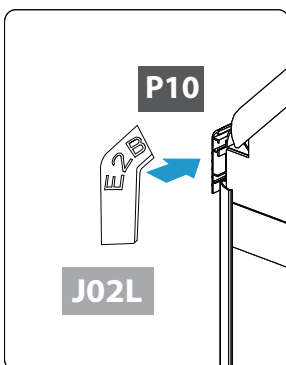
**13.4B**

Secure trim plate J06 to connector P21 with S41A screw.







**13.4C**

In the back of the greenhouse, slide plastic trim plates J02L, J02R, and J03 into connectors P09, P10 and P12 until they snap into place.



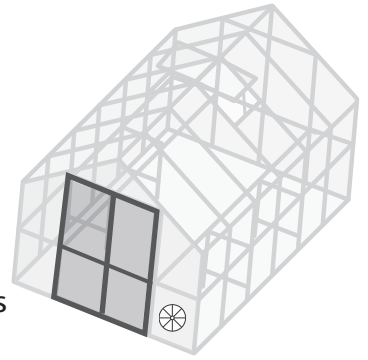
**IMPORTANT:** The plastic trim plates J02L, J02R, J03 and J06 fit into connectors only one way. Make sure the connectors are snapped securely into place as they will protect the connectors from the weather.

Trim Plate	QTY	Trim Plate	QTY	Trim Plate	QTY	Trim Plate/Screw	QTY
 #J02L	2	 #J02R	2	 #J03	2	 #J06 #S41A	1 1

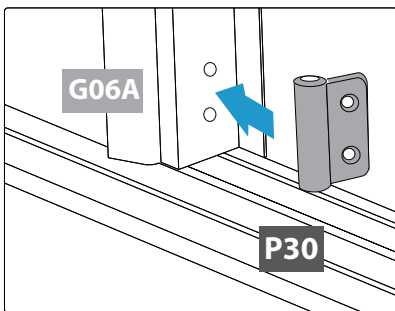
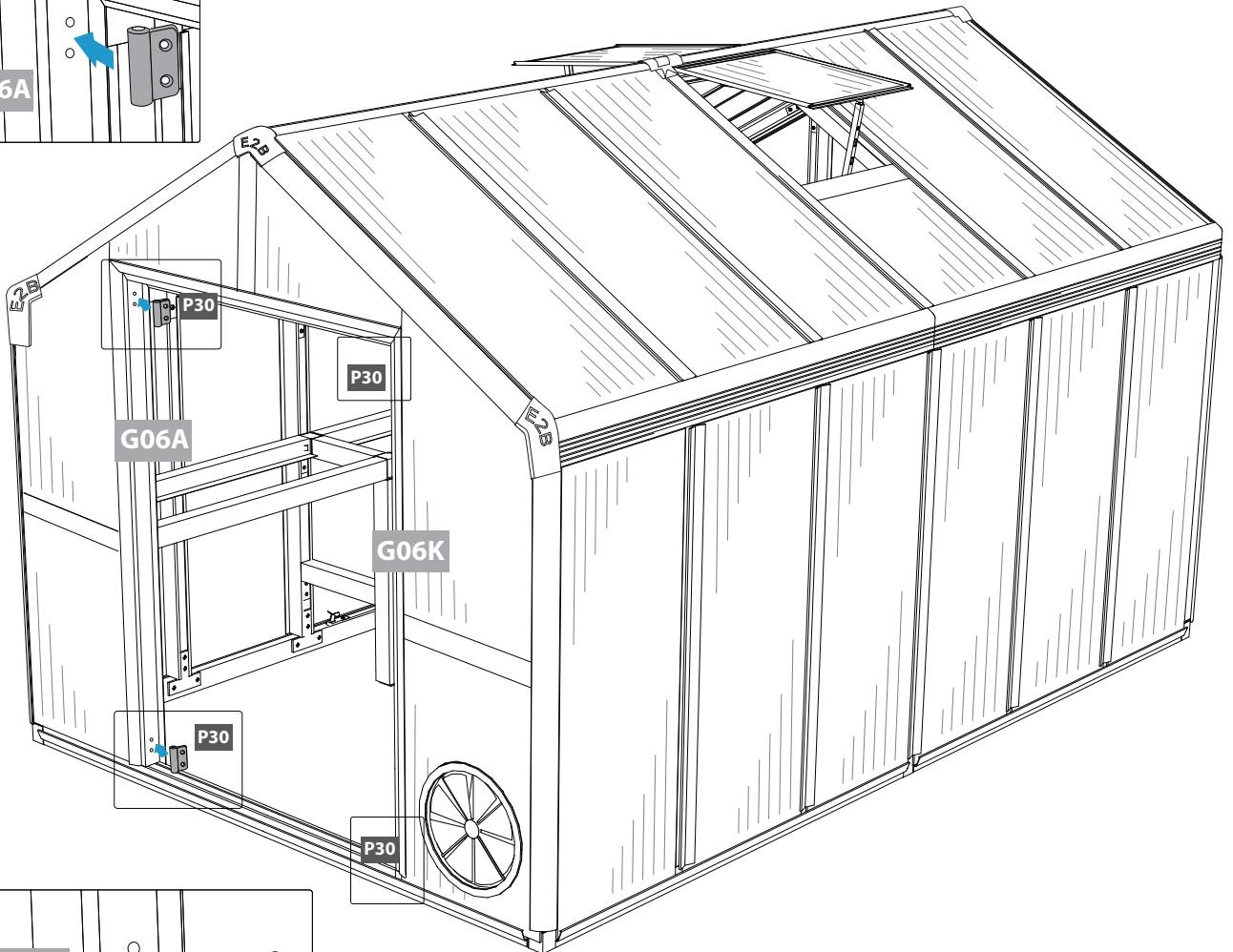
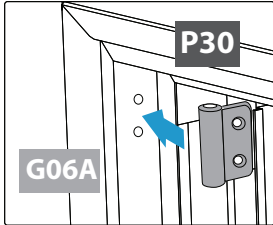
# Hang Doors



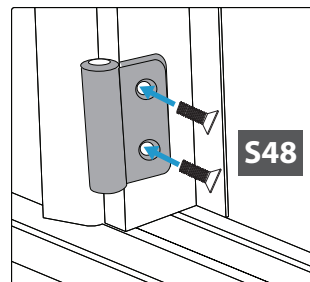
The doors have been assembled in Step 2. When hung, the bracing bars and door locks are on the inside of the doors in the greenhouse. We recommend using two people to hang the doors.

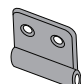



**14.1A** Install hinges to door frame. Line up door hinge P30 with holes inside top and bottom of profiles G06A and G06K.

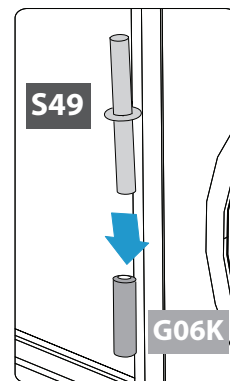
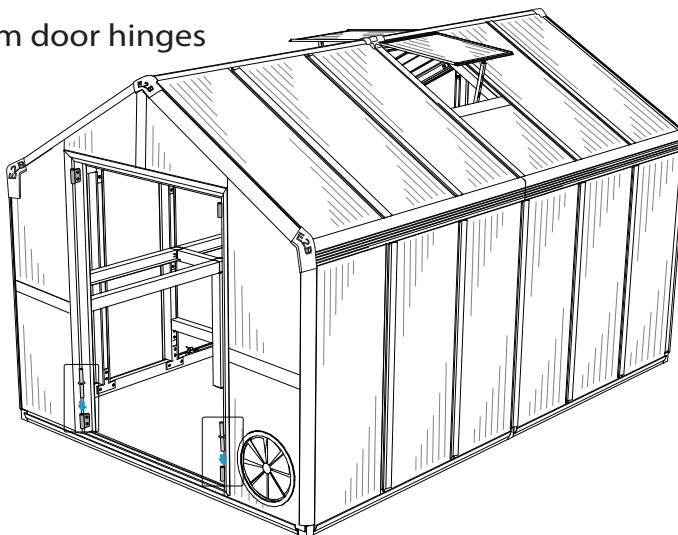
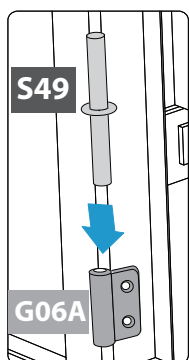


**14.1B** Secure each hinge with four S48 screws.

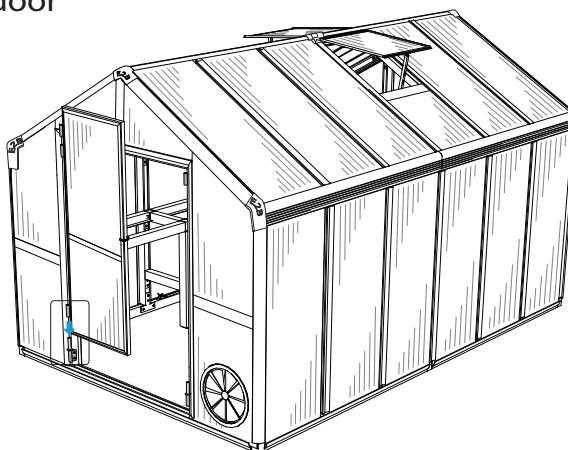
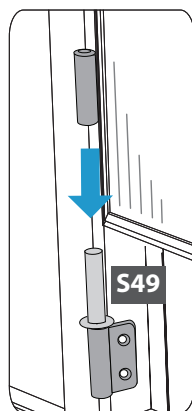


Hinge	QTY	Screw	QTY
	#P30		#S48
	4		8

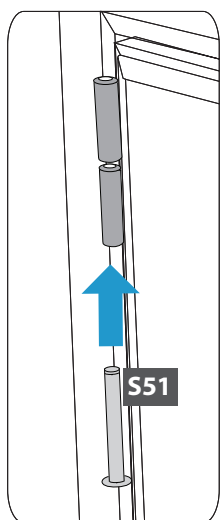
**14.2A** Place S49 pin in bottom door hinges on profiles G06A and G06K on both sides of door frame.



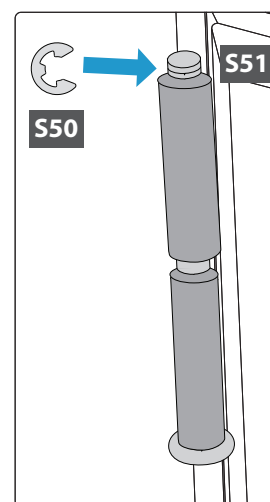
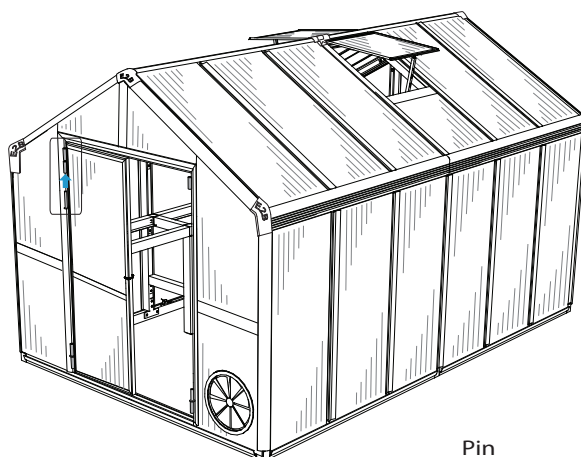
**14.2B** From the outside of the greenhouse, carefully line up hinge on bottom of DOOR 1 with S49 pin on right side of door frame. Lower door frame onto pin until hinges meet. Push top door back towards door frame so top hinges line up.

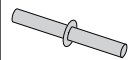



**14.2C** Line up top door hinge with top door frame hinge. From bottom of hinges, slide S51 pin through both hinges.



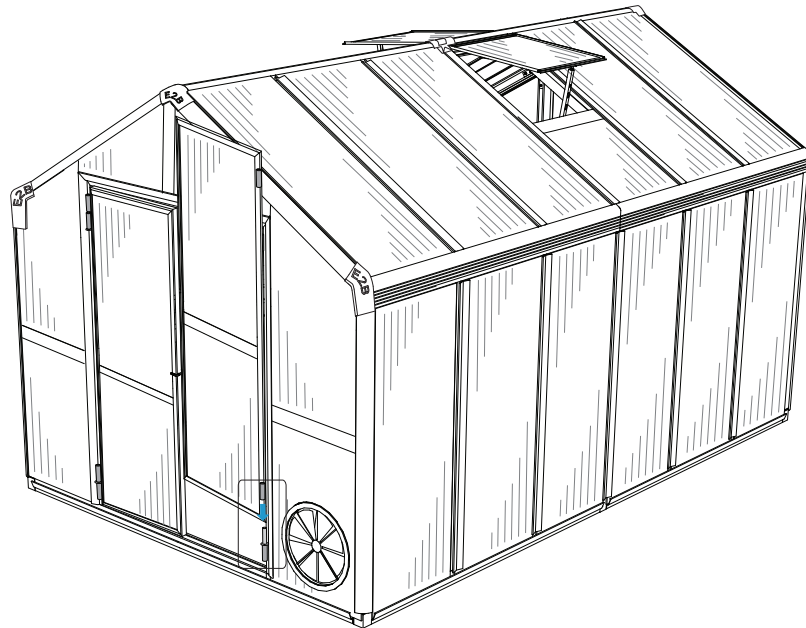
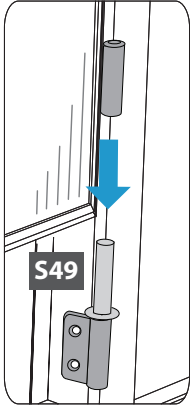
**14.2D** Secure pin in place with S50 lock washer as shown.



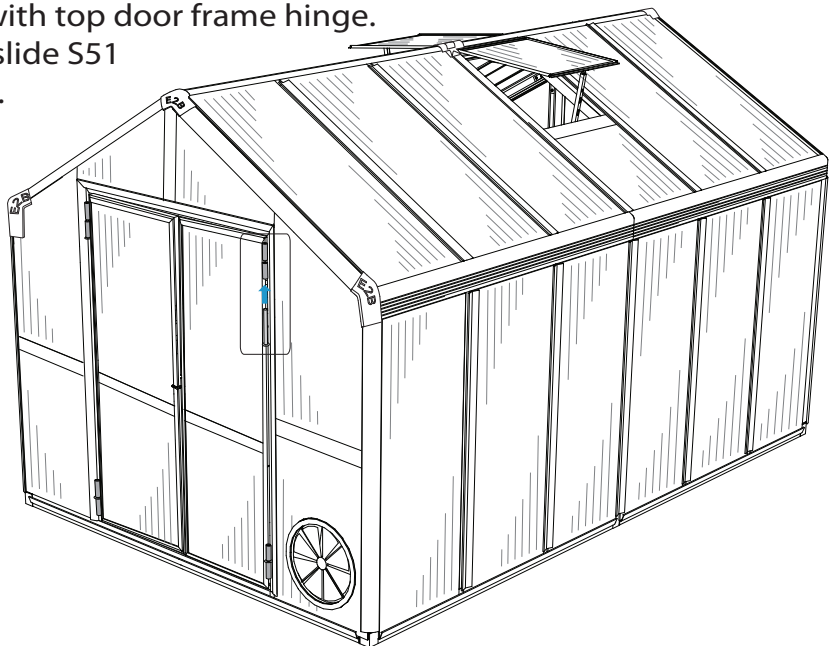
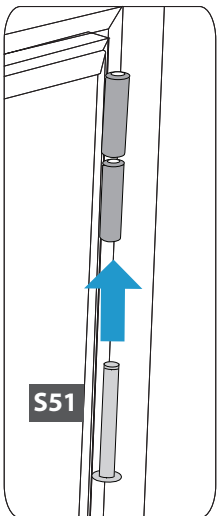
Pin	QTY	Lock Washer/Pin	QTY
	#S49		#S50
	2		#S51
			1
			1

**14.3A**

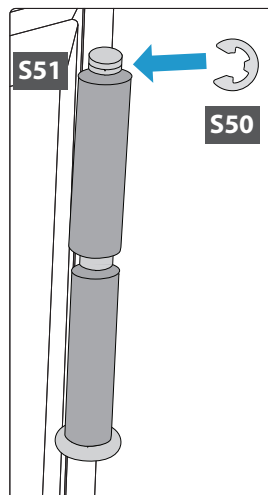
From the outside of the greenhouse, carefully line up hinge on bottom of DOOR 2 with S49 pin on left side of door frame. Lower door frame onto pin until hinges meet. Push top door back towards door frame so top hinges line up.

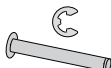

**14.3B**

Line up top door hinge with top door frame hinge. From bottom of hinges, slide S51 pin through both hinges.



**14.3C** Secure pin in place with S50 lock washer as shown.



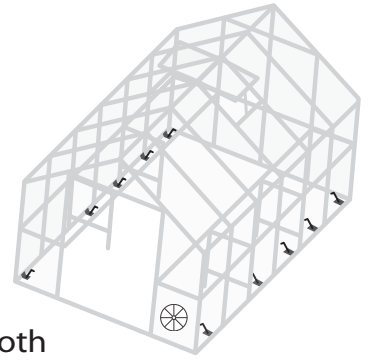
Lock Washer/Pin	QTY
 #S50	1
 #S51	1



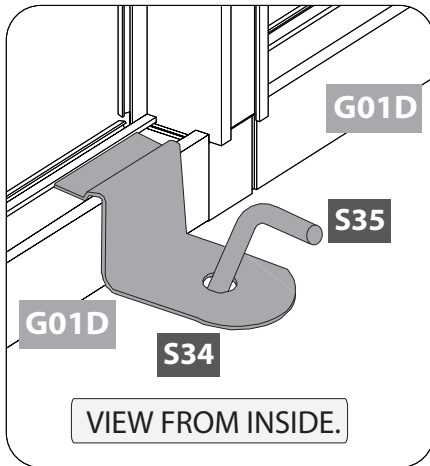
# Secure to Ground



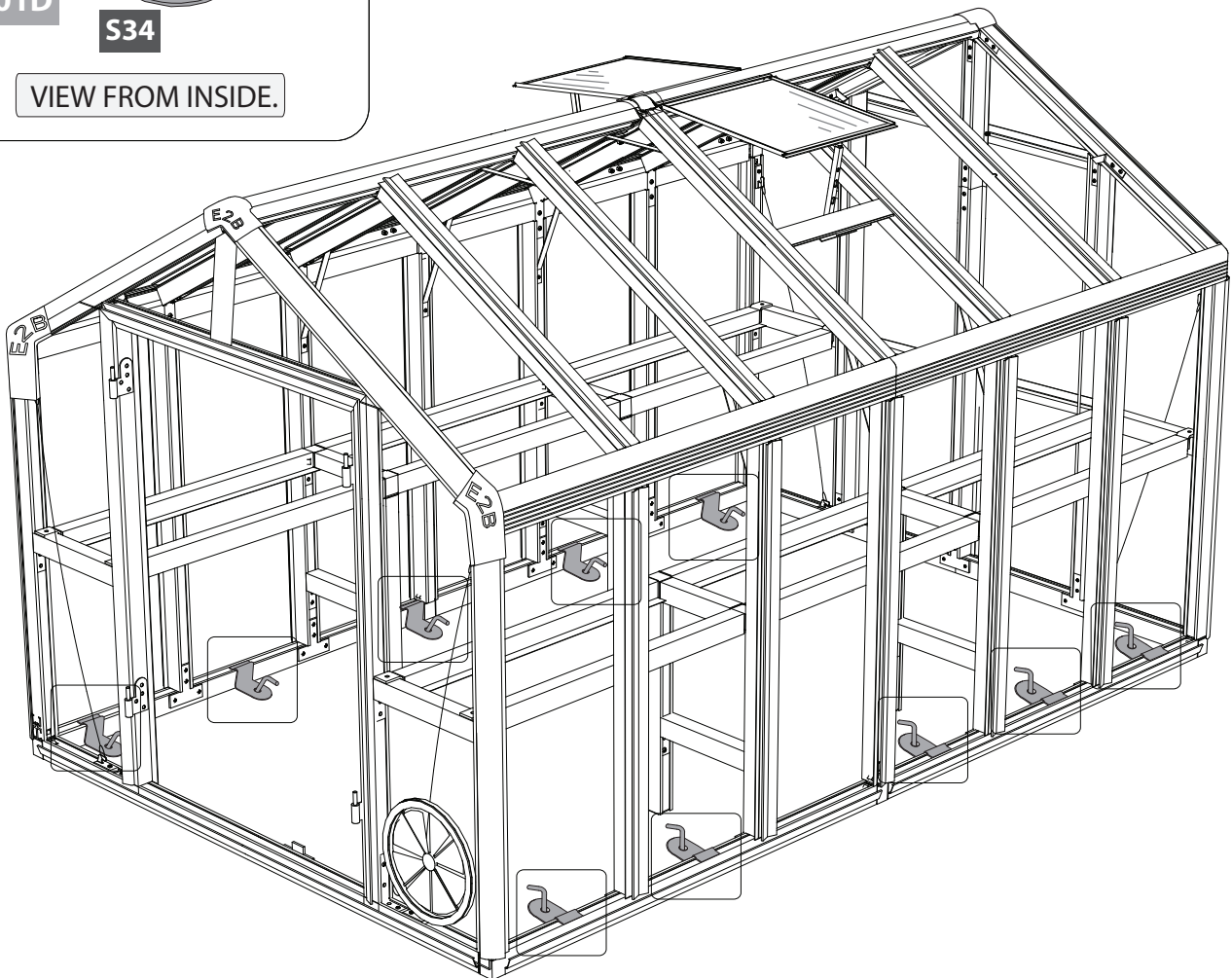
**IMPORTANT:** The greenhouse must be firmly secured to the ground. Make sure the foundation is **FLAT** and **LEVEL**. Make sure the greenhouse is square. The two diagonal measurements inside the greenhouse should be identical.

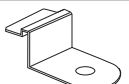



**15** From the inside of the greenhouse, insert the S34 anchor clips into channels of side profile G01D at each corner and center of both sides. Place the S35 pegs through the holes and into the ground to establish proper placement. Remove the pegs, dig holes 12"/30cm deep and fill with concrete. When the concrete is partially dry, use a hammer to drive the pegs all the way into the concrete and let dry completely for twenty four hours.



**NOTE:** Insert S34 anchor clips into the channel of side profiles G01D at a slight angle and slide under the lip of the channel.

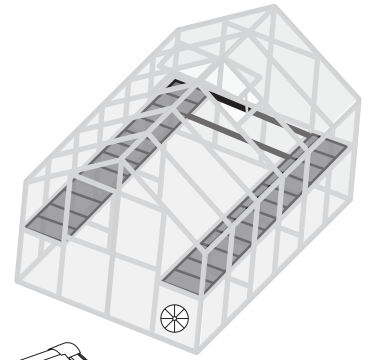


Anchor Clip	QTY	Anchor Peg	QTY
	#S34 10		#S35 10

# Install Trays and Bin Holder

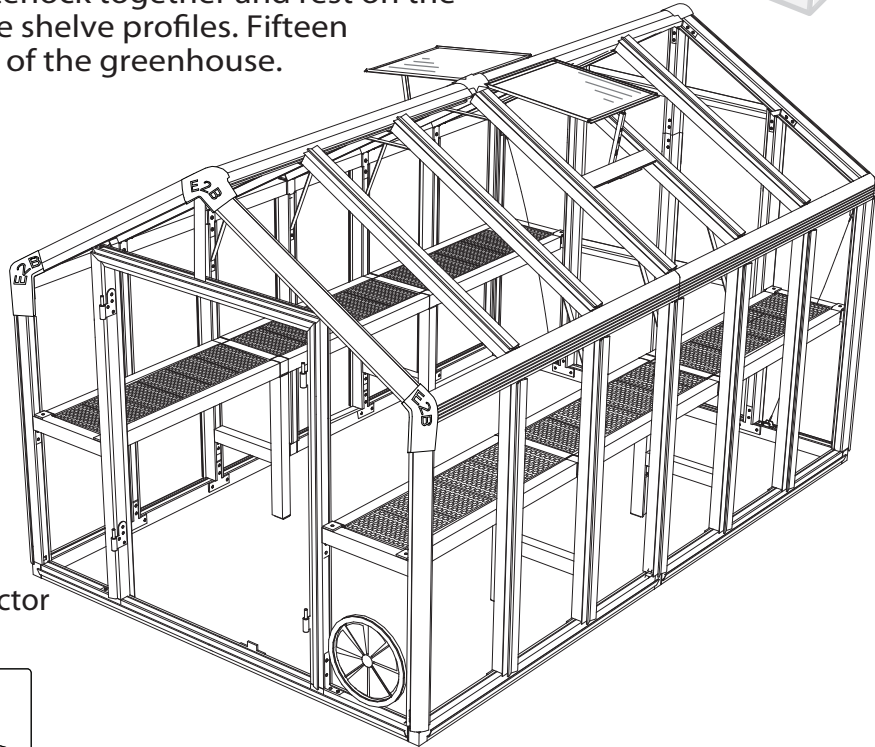


Place all the parts for the trays and bin holder on a level surface. Make sure the pieces are in the correct positions before assembling. Carefully follow the order of assembly to ensure an easy installation. Wear proper safety gear including work shoes, gloves and goggles.

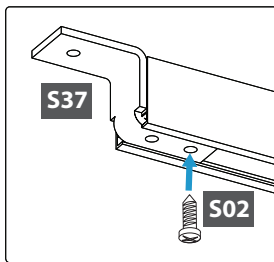



**16.1** From the inside of the greenhouse, place the trays on the shelves. The trays interlock together and rest on the lip on the sides of the shelf profiles. Fifteen trays fit on each side of the greenhouse.

**16.2A** Slide long side of connector S37 into each end of profiles G04G, lining up the last hole on the connector with the hole in the channel.



**16.2B** Secure each S37 connector with one S02 screw.

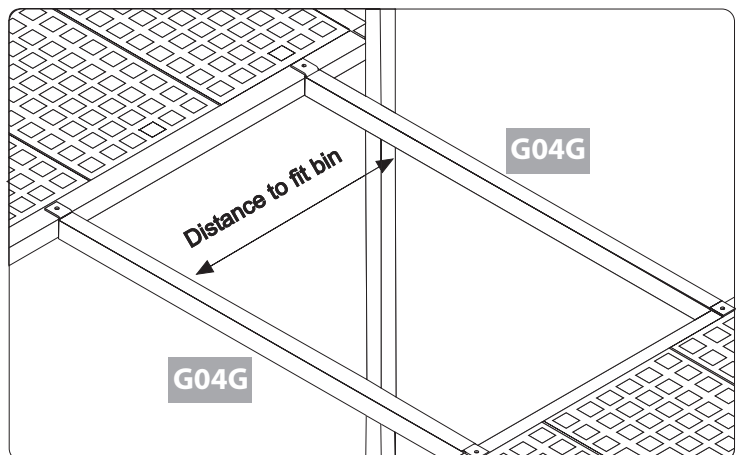
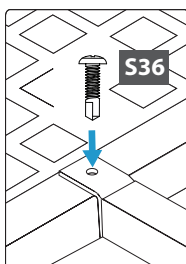


Trays		QTY
	#J05	30

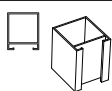
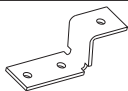
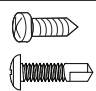

**IMPORTANT:** S36 are self tapping screws used to screw into areas that do not have predrilled holes. When you have decided on the placement of your bin, use these screws to attach the G04G profiles into the shelf profiles.

**16.3A** Place profiles G04G on shelf profiles. Position to fit your bin.

**16.3B** Secure each connector with one S36 screw.



**NOTE:** A cordless drill with a phillips head bit is recommended.

Profile		QTY	Connector		QTY	Screw		QTY
	#G04G	2		#S37	4		#S02	4
							#S36	4



# Kennington Classic™

## 8' x 12' Greenhouse Assembly Instructions

Please keep this manual in a safe place for reference, service and warranty.  
If you need any help or have missing or damaged parts, please contact us.



Visit [www.ecomposter.net](http://www.ecomposter.net) for composting solutions.

Ecomposter Sphere, Standard Base and Optional Base



Systems Trading Corporation

450 7th Avenue Suite 2809, New York, NY 10123

Customer Service: (877) 407-9100 ext 1 Email: [customerservice@stcaustin.com](mailto:customerservice@stcaustin.com)

Copyright © 2010, Systems Trading Corporation, All rights reserved.

KC\_PV011510